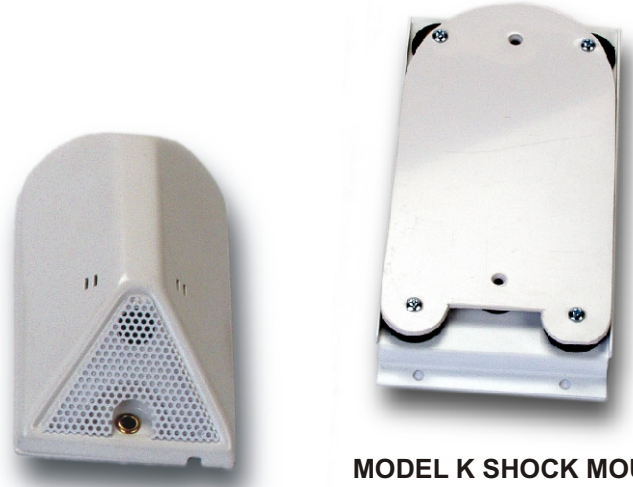


DESCRIPTION

The Verifact Model K is a dynamic line level microphone with a modified omni-directional pattern. The modified pattern is one in which the audio pick up is more from the front of the microphone and less from the sides and back. It is especially designed for areas with excessive background noise or where the ambient sound level is high. The Verifact Model K is pre-amplified, produces line level output and is compatible with all Louroe audio base stations and interface adapters.

Verifact K shock mount is used when the Microphone is installed in transportation vehicles such as busses, trams and paddy wagons. It reduces vibration, resulting in improved live and recorded audio.



MODEL K SHOCK MOUNT

APPLICATION

As part of a Louroe Audio System, the Model K Microphone can be used in situations such as:

- Convenience Stores
- Fast Food Restaurants
- Mall Shops
- Reception Areas
- Public Transportation Vehicles
- Casino soft count rooms

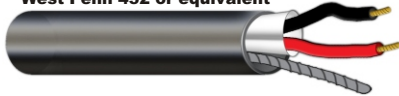
...Any area where ambient sound level is high

WIRING REQUIREMENTS

2 Conductor **shielded** cable, 22 gauge with a 24 gauge drain wire

NOTE: Unshielded cable is not satisfactory for audio systems

West Penn 452 or equivalent



IMPORTANT NOTICE

When this equipment is used as part of an audio monitoring system, the law requires that the public be given notice of **AUDIO MONITORING ON THE PREMISES**. A decal notice is included with each microphone shipped.



Federal Law References:
Federal Regulations, US Code, Title 18.
Crime and Criminal Procedure, Sec 2510.

MODEL K MICROPHONE

FEATURES

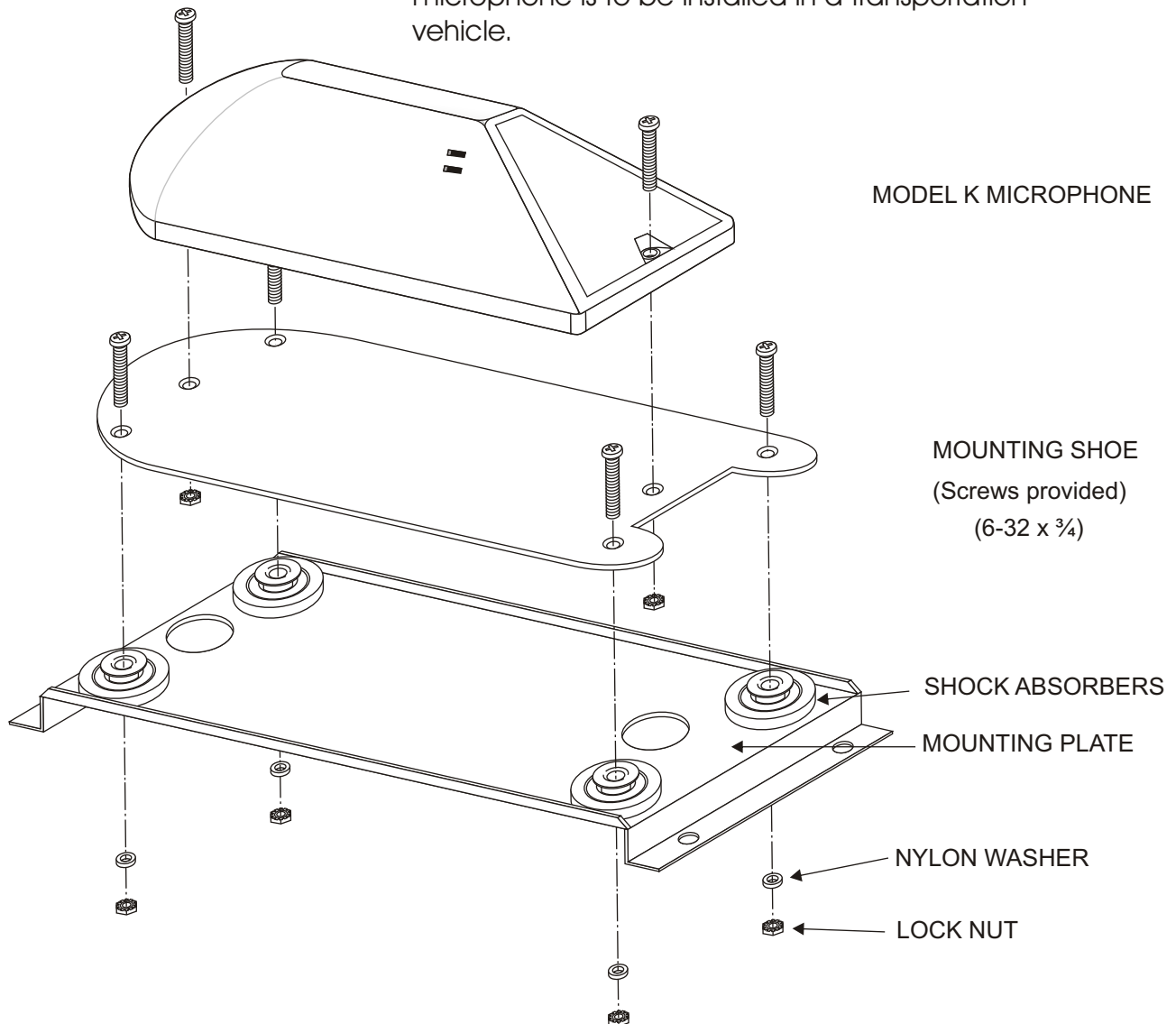
- Microphone can pick up normal sounds 12' away
- May be located up to 1,000' from the Louroe base station
- Pre-amp with line level output
- Sensitivity switch for lowering gain
- Mounts to a ceiling or flat surface
- Phantom powered from Louroe Base Station
- Companion shock mount reduces vibration when installation involves transportation vehicles

SPECIFICATIONS

▪ Type	Dynamic
▪ Polar Pattern	Modified Omni-Directional
▪ Frequency response	100 Hz to 15 kHz ± 1 dB
▪ Output	Line Level (0 dB @ 1KΩ)
▪ Current drain	4 mA
▪ Supply voltage	12 Vdc
▪ Output impedance (mic only)	600Ω unbalanced
▪ Dimensions	
Microphone	5 7/8"L x 3 1/8 "W x 1 1/2"H
Shock Mount	7 7/8"L x 3 5/8 "W x 5/8"H
▪ Weight (net)	
Microphone	6 oz (170 g)
Shock Mount	8 oz (226 g)

VERIFACT MODEL K MICROPHONE WITH SHOCK MOUNT ASSEMBLY

NOTE: Shock mounting is recommended only when microphone is to be installed in a transportation vehicle.



IMPORTANT: Make certain that wires are attached to microphone's terminal strip **BEFORE** installing microphone to shock mount assembly.