



**Verifact Model
K Microphone**

The Verifact K is a dynamic line level microphone with pre-amp and is designed for areas with excessive background noise or where the ambient sound level is high. The modified omni-directional pattern is one in which the audio pickup is more from the front of the microphone and less from the sides and back.

When mounting, position the Verifact K so that the front part (white screen) is facing the desired area of coverage. Microphone functions best when it is mounted close to the source, 3' - 8' away.

IMPORTANT - REDUCE VIBRATION

If installation is in a moving vehicle (bus, police van, tram, etc.), The Verifact K may require a Louroe shock mount assembly to reduce vibration and to enhance clarity of both live and recorded audio. Model number is Verifact K Shock Mount.



Verifact K Shock Mount
(optional)

MICROPHONE CONNECTION:

On the back plate of the Verifact K is a terminal strip marked A, B, C:

A = 12Vdc (positive)	Red Wire
B = Audio Out	Black Wire
C = Ground (negative)	Bare Wire

Using recommended wiring, wire:

- 1 - Connect RED wire to terminal A
- 2 - Connect BLACK wire to terminal B
- 3 - Connect Bare wire to terminal C

WIRING REQUIREMENTS

2 Conductor shielded cable, 22 gauge with a 24 gauge drain wire.

West Penn 452 or equivalent

NOTE: Unshielded cable is not satisfactory for audio systems.

CONNECTION TO A LOUROE BASE STATION OR TO IF-1, IF-4, IF-8 INTERFACE ADAPTER:

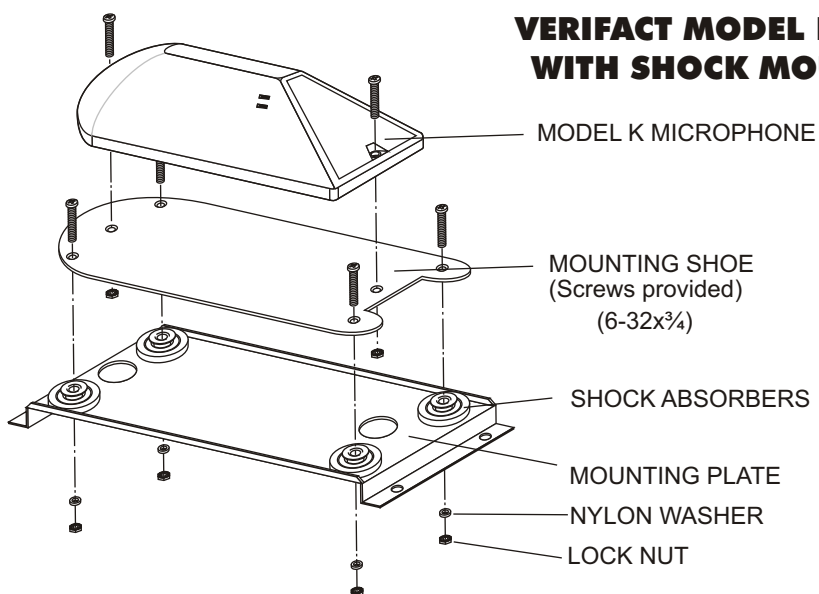
After microphone connection has been made, run cable to the Louroe Base Station or Interface Adapter. All Louroe Base Stations and Interface Adapters have a corresponding terminal block (A, B, C) for each zone. Make connections to the terminal block from microphone wire, matching A to A, B to B and C to C. If using cable from other manufacturers with a different color code, make certain that wire colors are properly matched between microphone and base station.

CONNECTION TO A LOUROE MICROPHONE MIXER (RN-2 or MLA-6)

Refer to Installation Instructions for the specified mixer.

IF MODEL K MICROPHONE IS BEING CONNECTED DIRECTLY TO A SOURCE OTHER THAN A LOUROE BASE STATION OR INTERFACE ADAPTER (DVR, IP NETWORK CAMERA, ETC), CONNECT AS FOLLOWS:

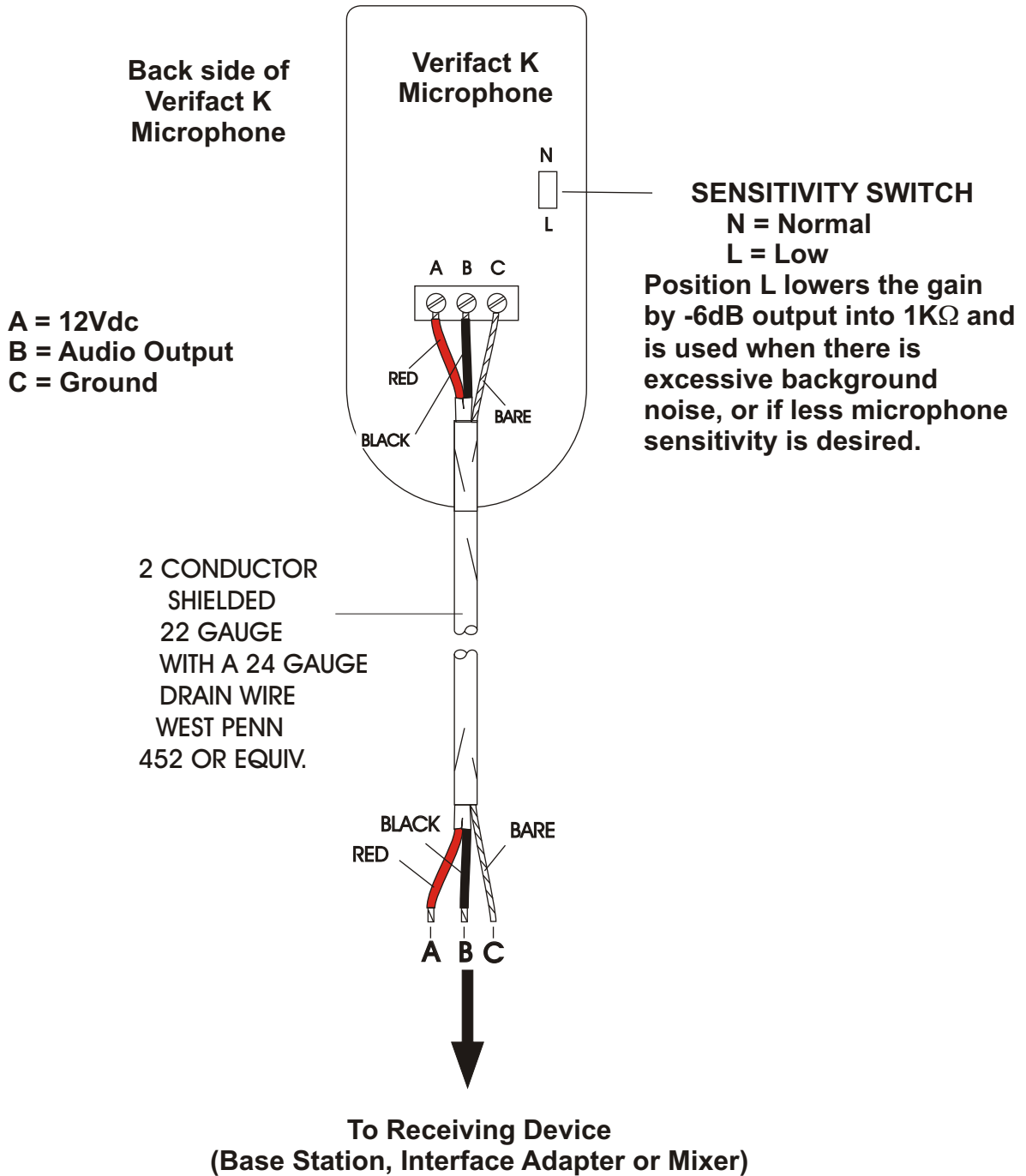
1. Apply 12Vdc power to terminals A and C.
(A is positive, C is negative)
2. Connect Terminal B (audio out) and Terminal C of Verifact K Microphone to the recorder or audio source using single conductor **shielded** cable, 22 gauge with a drain wire.
3. If the audio input of the recorder (or other source) is an RCA receptacle, solder on an RCA plug with terminal B wire going to tip of jack, and terminal C wire soldered to sleeve of jack.

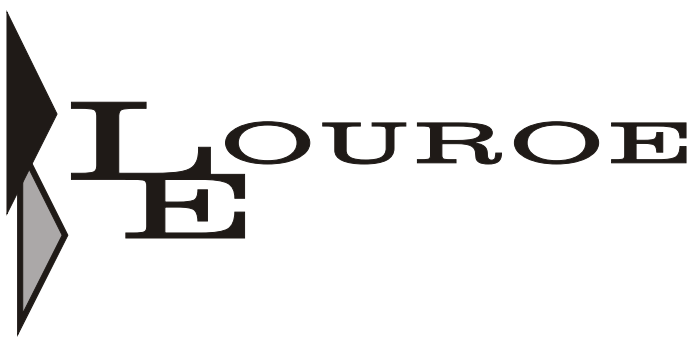


VERIFACT MODEL K MICROPHONE WITH SHOCK MOUNT ASSEMBLY

IMPORTANT: Make certain that wires are attached to microphone's terminal strip **BEFORE** installing microphone to shock mount assembly.

VERIFACT K MICROPHONE CONNECTION TO A LOUROE BASE STATION OR IF-1, IF-4, IF-8 AUDIO INTERFACE ADAPTER





SPECIFICATIONS FOR VERIFACT K MICROPHONE

■ Type	Dynamic
■ Polar Pattern	Modified Omni-Directional
■ Frequency Response	100 Hz to 15 kHz \pm 1 dB
■ Output	Line Level (0 dB @ 1000 Ω)
■ Current Drain	4 mA
■ Supply voltage	12 Vdc
■ Output Impedance (Mic only)	600 Ω , unbalanced
■ Dimensions	5 7/8"L x 3 1/8 "W

IMPORTANT NOTICE

When this equipment is used as part of an audio monitoring system, the law requires that the public be given notice of AUDIO MONITORING ON THE PREMISES. A decal notice is included with each microphone shipped.



Federal Law References:
Federal Regulations, US Code, Title 18.
Crime and Criminal Procedure, Sec 2510.

WARRANTY

LOUROE ELECTRONICS warrants that at the time of shipment products manufactured by LOUROE ELECTRONICS to be free of defects in material and workmanship. Should a defect appear with one year (12 months) from date of shipment, LOUROE ELECTRONICS will, at its sole discretion, repair or replace the defective equipment. This equipment shall not be accepted for repair or return without prior notification by LOUROE ELECTRONICS.

This warranty does not extend to any Louroe product that has been subject to improper or incorrect installation, misuse, accident, or in violation of installation instructions provided by LOUROE ELECTRONICS.

Returned shipments to LOUROE ELECTRONICS shall be at customer's expense. LOUROE ELECTRONICS will return the equipment prepaid via Best Way.

LOUROE ELECTRONICS 6955 VALJEAN AVENUE, VAN NUYS, CA 91406
Website: www.louroe.com

TEL (818) 994-6498 FAX (818) 994-6458
Email: sales@louroe.com