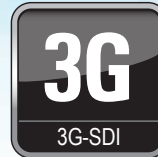




VF901GHC

HIGH PERFORMANCE 9" LED VIEWFINDER / FIELD MONITOR



This 9" monitor uses a wide aspect ratio panel featuring wide viewing angles and is capable of multi-inputs including 3G-SDI and HDMI input and make very convenience to use in the field.

SPECIAL FEATURES

- 9" 1280 x 800 Wide Viewing Angles and High Resolution
- Video Input : 3G-SDI / HDMI / YPbPr / CVBS
- Video Output: 3G-SDI
- Brightness 250cd/m²
- Contrast 700:1
- Input Power DC7-24V (XLR Connector)
- Aspect Ratio
- Underscan
- PIP



Our Viewfinder / Field monitor support 3G-SDI / HDMI / YPbPr / CVBS video inputs and 3G-SDI video output. Also use DC7-24V (XLR Connector) power input.

Convenient power cable adapter can be used with either AC adapter or external battery source



Flexible desktop can be turn forward and backward 180 degrees easily. This feature is capable of mount jib boom broadcast.

VF901GHC

HIGH PERFORMANCE 9" LED VIEWFINDER / FIELD MONITOR

SPECIFICATIONS

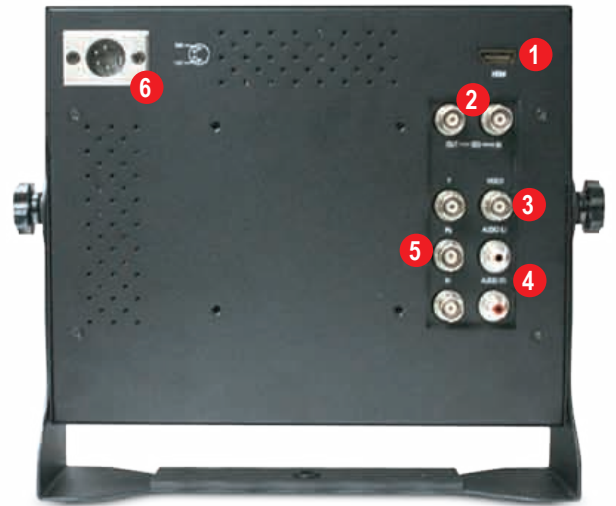
VF901GHC	
Panel	9 Inch
Resolution	1280 x 800 Pixels
Pixel Pitch	0.1515mm x 0.1515mm
Display Area	193.92mm x 121.2mm
Color	16.7 Million
Brightness	250 cd/m ²
Contrast	700 : 1
Aspect Ratio	16 : 10
Backlight	LED
Video Interface	CVBS 1 In, YPbPr 1 In, HDMI 1 In, SDI In Speaker 1 (built-in)
SDI In	1080p (23.98/24/25/29.97/30/50/59.94/60) 1080psf (23.98/24/25/29.97/30) 1080i / 720p (50/59.94/60), 480i (59.94), 575i (50)
Dimensions (Inch)	8.46" x 6.85" x 1.77"
Environment	0° C ~ 50° C (Operating) / -20° C ~ 60° C (Storage)
Power Requirement	100VAC to 240VAC (with AC Adaptor, XLR Connector)
Power Consumption	Approx. 11W
Weight	1.67 lbs

*Design and specifications are subject to change without notice

PRODUCT COMPATIBILITY



INPUT INTERFACE



1 HDMI 1 In

2 SDI In / Out

3 CVBS In

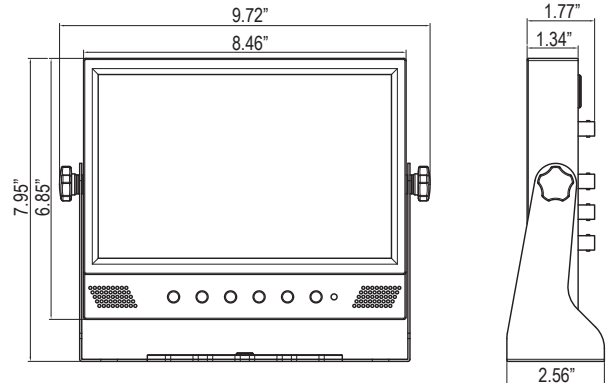
4 Audio In (L+R)

5 YPbPr In

6 DC Power Input

DIMENSIONS

Unit: Inch



MORE PRODUCT VIEW



Front Quarter View



Side View



Rear Quarter View