

T6Z5710DC-CS

6X 5.7mm - 34.2mm F1.0
for 1/3 type Cameras, Motorized Zoom
CS-Mount

with DC Auto Iris

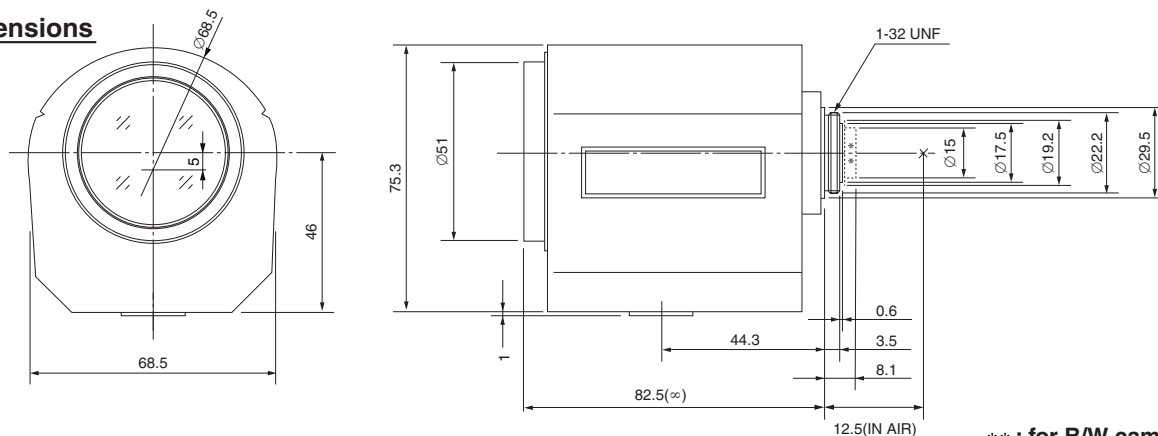
1/3
type

Model No.	T6Z5710DC-CS		Effective	Front	Ø41.0mm	
Focal Length	5.7mm - 34.2mm		Lens Aperture	Rear	Ø10.2mm	
Max. Aperture Ratio	1:1.0		Back Focal Length	8.5mm		
Max. Aperture Ratio	4.8mm x 3.6mm(Ø6mm)		Flange Back Length	12.5mm		
Operation Range	Iris	F1.0 - F360C	Mount	CS-Mount		
	Focus	1.2m - Inf.	Filter Size	M49 P=0.75mm		
	Zoom	5.7mm - 34.2mm	Tripod Screw	1/4 - 20UNC		
Control	Iris	DC Auto Iris	Dimensions	W68.5mm x H76.3mm x D82.5mm		
	Focus	Motorized	Weight	440g		
	Zoom	Motorized				
Object Dimension at M.O.D.	5.7mm	101.6cm x 75.2cm				
	34.2mm	17cm x 13cm				
Angle of View	D	1/3 type	56.5° - 10.0°	1/4 type	43.2° - 7.8°	
	H		45.9° - 8.1°		34.8° - 6.2°	
	V		34.8° - 6.2°		26.2° - 4.8°	
	Iris	Focus	Zoom			
Supply Voltage	—		DC8V	DC8V		
Current	—		20mA or less	20mA or less		
Response Time	—		Approx. 3 sec.	Approx. 3.5 sec.		
Preset Potentiometer	—		—	—		
Coil	Drive	190Ω				
	Control	1000Ω				
Operating Temperature	-10°C - +50°C					

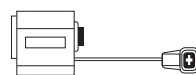
CS

M.O.D. : Minimum Object Distance

Dimensions



Wiring Diagram



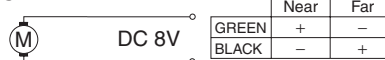
IRIS



Pin No.

1	BROWN	Control (-)
2	RED	Control (+)
3	YELLOW	Drive (+)
4	ORANGE	Drive (-)

FOCUS



ZOOM



** : for B/W camera

Using with a B/W camera, please use the attached "B/W aberration compensation filter" and "FB compensation spacer". The filter (M20 P=0.5mm) should be screwed onto the lens from rear side and the spacer should be placed between lens and camera.