

# H30Z1015AMSPR

**30X 10mm - 300mm F1.5**  
**for 1/2 type Cameras, Motorized Zoom**  
**C-Mount**

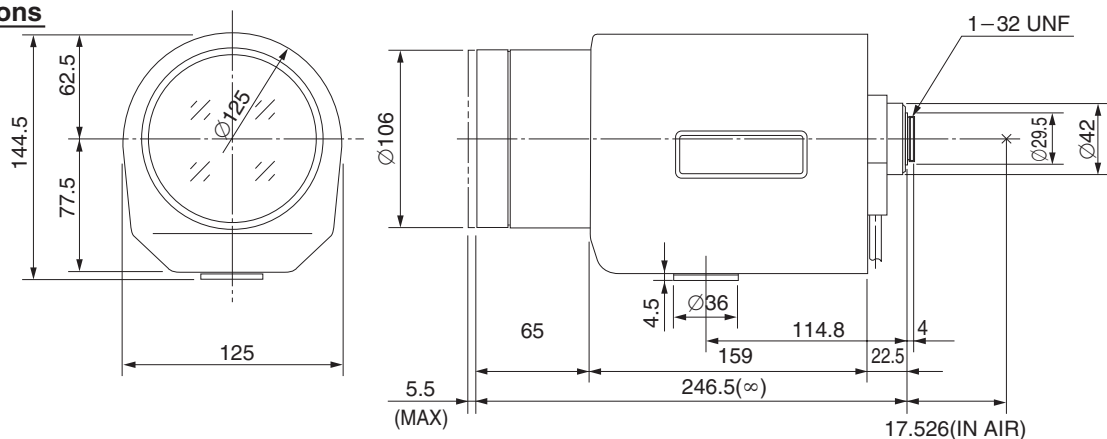
With Video Auto Iris and Over-ride Manual and Preset

Model No.	H30Z1015AMSPR		Effective	Front	Ø94mm		
Focal Length	10mm - 300mm		Lens Aperture	Rear	Ø14.8mm		
Max. Aperture Ratio	1:1.5		Back Focal Length	15.8mm			
Max. Image Format	6.4mm x 4.8mm(Ø8mm)		Flange Back Length	17.526mm			
Operation Range	Iris	F1.5 - F560C	Mount	C-Mount			
	Focus	2.2m - Inf.	Filter Size	M100 P=1mm			
	Zoom	10mm - 300mm	Tripod Screw	1/4 - 20UNC			
Control	Iris	Video Auto Iris / Over-ride Manual	Dimensions	W125mm x H144.5mm x D246.5mm			
	Focus	Motorized	Weight	3225g			
	Zoom	Motorized					
Object Dimension at M.O.D.	10mm	140.8cm x 104.8cm					
	300mm	4.8cm x 3.6cm					
Angle of View	D	1/2 type	44.0° - 1.55°	1/3 type	33.3° - 1.17°	1/4 type	25.1° - 0.88°
	H		35.5° - 1.25°		26.8° - 0.94°		20.1° - 0.71°
	V	26.8° - 0.94°	20.1° - 0.71°	15.1° - 0.53°			
		Auto Iris	Focus	Zoom			
Supply Voltage	DC8.5V - DC16V		DC8V	DC8V			
Current	50mA or less		80mA or less	60mA or less			
Response Time	Approx. 2 sec.		Approx. 8.5 sec.	Approx. 4.5 sec.			
Preset Potentiometer	—		5KΩVR	5KΩVR			
Light Weighting Method	Adjustable between Average - Peak (to be Set at Average at Factory)						
Remote Control	ALC Remote (Option) / Over-ride Manual						
Input Signal	Video Signal (V. or V.S.)						
Iris Accuracy	±15% at Video Signal Level						
Sensitivity Adjustment	0.5V(p-p) - 1.0V(p-p) (Video Signal)						
Input Impedance	High Impedance						
Operating Temperature	-10°C - +50°C						

1/2 type

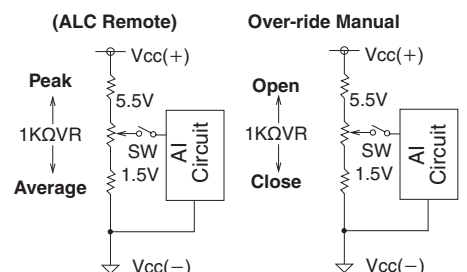
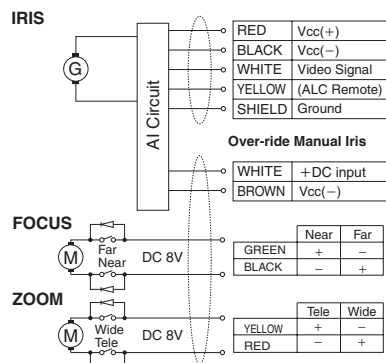
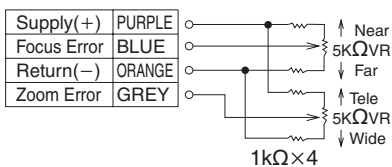
C

**Dimensions**



**Wiring Diagram**

**PRESET POTENTIOMETER**



Vcc represents Input Voltage.  
 The Remote should be set between 1.5 - 5.5V, and Level Remote should be OFF.