

DESCRIPTION

For video transmission systems requiring two-way audio over the network, the Louroe AOP-SP Series of speakerphones are ordinarily utilized for providing bi-directional audio. However, they are not designed for outdoor or high vandalism applications. To accommodate these applications, the AOP-70 conversion unit was developed to make Louroe Model TLO outdoor Speaker/Microphone and Model TLSP Vandal Resistant Speaker/Microphone compatible with DVR's, IP Network Cameras, Video Servers, etc.

Along with converting the audio signals for compatibility with IP Camera, DVR, etc., the AOP-SP70 also:

- Provides power to the Louroe TLO or TLSP unit
- Drives the audio signals into the audio input of DVR, etc.
- Amplifies the audio talkback received from the "speaker out" of the DVR, etc. for broadcast through the TLO or TLSP Speaker
- Contains level controls for microphone input and speaker output
- Built-in 12Vdc power jack

AOP-SP70 is mounted in a ABS housing with teardrop cut-outs for wall mounting. Dimensions are 8 3/8"H x 7 3/8"W x 2 3/4"D. A 120Vac/12Vdc power supply is included.

APPLICATION

Model AOP-SP70 is a conversion unit used only for interfacing with Louroe Speaker/Microphone Model TLO (outdoor) and TLSP (vandal resistant) with :

- DVR's
- IP Network Cameras
- PC Soundcards and soundcard modules
- Video Servers

IMPORTANT NOTICE

When this equipment is used as part of an audio monitoring system, the law requires that the public be given notice of AUDIO MONITORING ON THE PREMISES. A decal notice is included with each microphone shipped.



Federal Law References:
Federal Regulations, US Code, Title 18.
Crime and Criminal Procedure, Sec 2510.



MODEL AOP-SP70
Speakerphone Conversion Unit
(see reverse page for connection diagram)

FEATURES

- Contains audio inputs (terminal blocks) for microphone and speaker connection from Louroe Model TLO or TLSP
- Sends power to speaker/microphone (TLO, TLSP)
- Drives audio signals into DVR, IP Network Cameras, etc.
- Amplifies talkback from receiving device for broadcast through TLO or TLSP Speaker
- Contains level controls for listen and talkback
- Contains built-in 12Vdc power jack
- 12Vdc power supply included

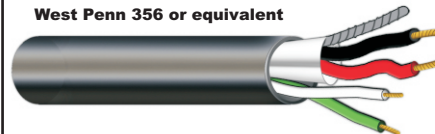
SPECIFICATIONS

Monitor output impedance	600 Ω
Talkback input impedance	600 Ω
Talkback power output	1W @ 70V
Power Input	12 Vdc, 500 mA
Dimensions	8 3/8"L x 7 3/8"W x 2 3/4"H

WIRING REQUIREMENTS

- 4 Conductor consisting of:
- 2 Conductor **shielded**, 20 gauge with 22 gauge drain (microphone connection)
 - 2 Conductor **unshielded**, 18 gauge (speaker connection)
- All in the same jacket

West Penn 356 or equivalent



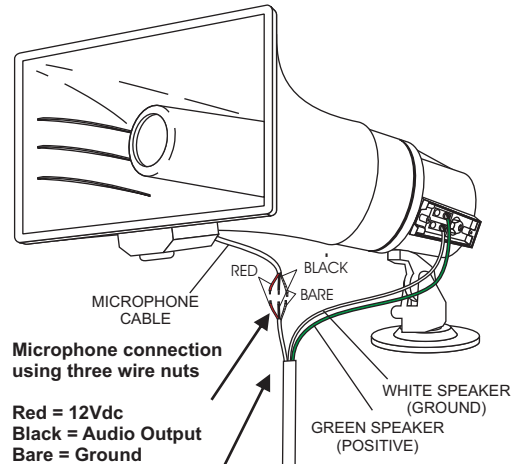
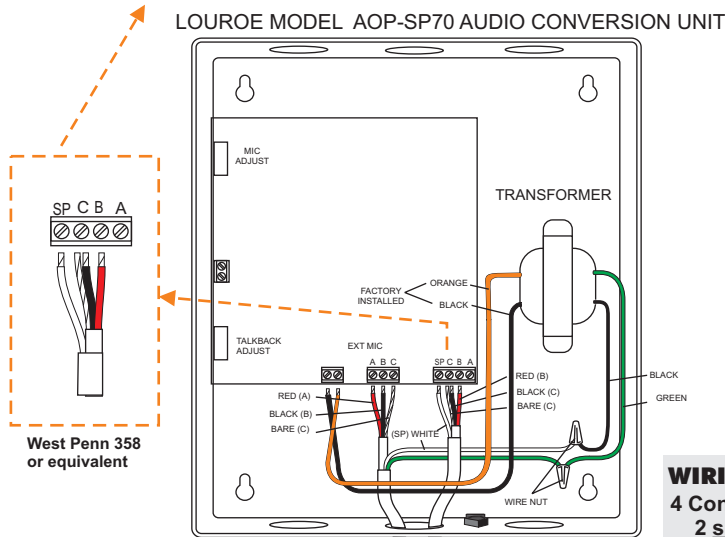
INTERCONNECTION DIAGRAM

LOUROE MODEL AOP-SP70 SPEAKERPHONE CONVERSION UNIT, AND LOUROE MODEL TLO SPEAKER/MICROPHONE CONNECTION TO DVR, IP NETWORK CAMERAS OR VIDEO SERVER (BI-DIRECTIONAL AUDIO)

4-PIN TERMINAL BLOCK IDENTIFIER OF AOP-SP70 (SP, C, B, A)

- (white) SP = Speaker output
- (bare) C = Ground (audio) and Ground (speaker) (black wire)
- (red) B = Audio Output
- A = not used with this application

Model TLO is Designed For Outdoor or Moist Applications

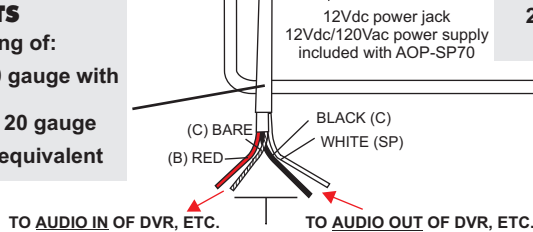


WIRING REQUIREMENTS

- 3 Conductor cable consisting of:
 - 2 Conductor shielded, 20 gauge with a 22 gauge drain wire
 - 1 Conductor unshielded, 20 gauge
- West Penn 358 or equivalent

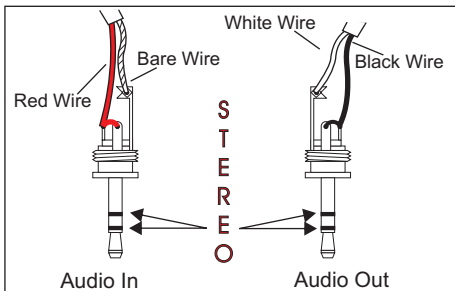
WIRING REQUIREMENTS FOR TLO

- 4 Conductor shielded cable
 - 2 shielded 20 gauge and 2 unshielded 18 gauge, 20 gauge drain wire
- West Penn 356 or equivalent

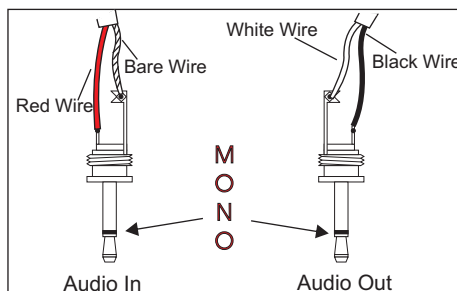


For connection to DVR, IP Network Camera, etc., solder the appropriate plug (RCA, 3.5mm mono or 3.5mm stereo) to match the audio inputs of the receiving device as shown below. Refer to IP Camera's instruction to determine if 3.5mm audio is mono or stereo

3.5mm STEREO CONNECTION



3.5mm MONO CONNECTION



RCA CONNECTION

