



N237BE
Motorized Bullet Camera



N237VE
Motorized Dome Camera

FLIR IP™

Motorized Bullet & Dome Cameras

The N237 Series of FLIR Motorized IP Cameras offer HD picture quality with outstanding night vision capabilities. Installation is simplified with integrated PoE and remote zoom and focus adjustment, allowing for single cable installation. Built with a durable weatherproof housing, the IP Cameras are suitable for both indoor and outdoor installations and cold climates.

HD PICTURE QUALITY

Outstanding image detail, both day and night

- N237BE - 3MP HD @ 20fps / 2MP HD @ 30fps, 1/3" CMOS, 2.8~12mm motorized varifocal bullet camera
- N237VE - 3MP HD @ 20fps / 2MP HD @ 30fps, 1/3" CMOS, 2.8~12mm motorized varifocal vandal dome camera
- 90ft (27m) IR, 3D-DNR, D-WDR, H.264/MJPEG Dual Stream

EASY INSTALLATION

PoE (Class 3) support for simplified cabling

- Onvif Profile S conformance
- Remote zoom and focus adjustment
- Centralized viewing and control of up to 64 cameras on each screen with PC/Mac

RUGGED DESIGN

Durable housing

- IP66 weatherproof rated / IK10 rated (N237V4 only)
- Cold climate capable (-22°F/-30°C)
- 12V DC / PoE (802.3af) operation

Specifications

Camera	N237BE/P	N237VE/P
Imaging Device	3 MP, 1/3-inch	
Effective Pixels	2048 x 1536	
Image Type	CMOS	
Image Readout	Progressive Scan	
Day / Night	Auto/Color/B/W	
Mechanical IR Cut Filter	Yes	
Min. Illumination	0.01lux @ 40IRE F1.8(B/W)	
	0.1lux @ 40IRE F1.8 (Color)	
S/N Ratio	>50dB	
Field of View (H)	28°~73°	
IR Illumination	90ft/27m, 850nm	
IR On / Off Control	Yes	
Video Output	RJ45	
Electronic Shutter Range	1/3(4)s - 1/10,000s	
Optical		
Lens Type	Motorized varifocal	
Mount Type	Board type	
Iris Type	Fixed Iris	
Focal Length	2.8mm - 12mm	
Aperture	F1.4	
Optical Zoom	3.2x	
Focus	Auto	
Iris Control Type	Electronic	
Video		
Video Compression	H.264/MJPEG	
Video Streams	H.264H & MJPEG Dual Stream encoding	
Resolution Selection	3M(2052x1536)/1080P(1920x1080)/ 720P(1280x720)/D1(704x 576/704x480)/ CIF(352x288/352x240)	
Aspect Ratio	4 : 3	
Frame rates (Maximum)	3M@20fps/1080P/720P@ 25/30fps	
Bit Rate Control	CBR / VBR with cap	
Bit Rate Selection	H.264: 40K ~ 8192Kbps; MJPEG: 40K ~ 16384Kbps	
Wide Dynamic Range	Digital WDR	
Backlight Compensation	BLC / HLC	
White Balance	Auto / Manual	
Gain Control	Auto / Manual	
Noise Reduction	3D	
Smart IR	Yes, User Adjustable	
Image Stabilization	No	
Digital Zoom	3X	
Tamper Detection	No	
Adaptive Lens Correction (ALC)	No	
Video Mirroring/Rotation	Horizontal Mirror /Vertical Flip	
Video Overlay	Time / Date / Camera / Custom	
Window Blanking (Privacy)	Up to 4 Areas	
Menu Languages	English	
Network		
Protocols	IPv4/IPv6, HTTP, HTTPS, SSL, TCP/IP, UDP, UPnP, ICMP, IGMP, SNMP, RTSP, RTP, SMTP, NTP, DHCP, DNS, PPPOE, DDNS, FTP, IP Filter, QoS, Bonjour	
ONVIF Conformance	ONVIF Profile S	
RTSP Video	Standard RFC2326, Support QuickTime/VLC	
Users	Up to 20 users	

Specifications

Mechanical	N237BE/P	N237VE/P
Input/Output	No	
Product Dimensions (D x H)	8.5" x 3.6" x 3.1" 215*92*80mm	3.5" x 4.8" 89*122mm
Product Weight	1.7lbs / 0.8kg	0.9lbs / 0.4kg
Electrical		
Network Port	RJ45 (10/100 Base-T)	
Analog Video Out (service only)	No	
Power Input	12V DC	
Power over Ethernet Type (PoE)	(802.3af)	
Power Consumption (Maximum)	5W	
Current Consumption (Maximum)	380mA	
Edge Storage	No	
Built-in Heater	No	
Alarm I/O	No	
Environmental		
Storage Temperature	-30°C ~ +60°C	
Storage Humidity	Less than 95% RH	
Operating Temperature	-22°F ~ 140°F / -30°C ~ 60°C	
Operating Humidity	Less than 95% RH	
Cold Start Temperature	-30°C	
Ingress Protection	IP66	
Vandal Resistance	IK10 Rated	

Ordering Information

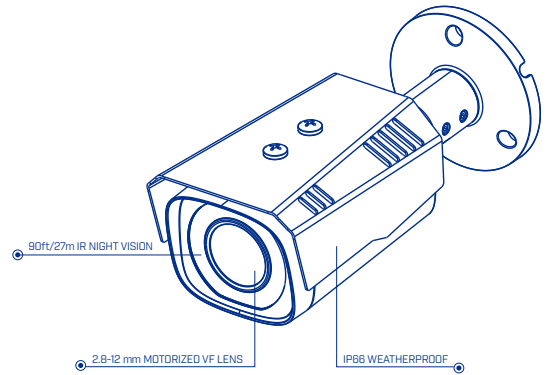
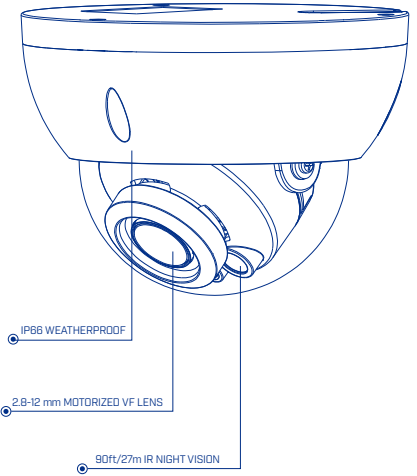
N237BE: 8-41430-01042-5
 N237VE: 8-41430-01082-1

N237BEP: 8-41430-01153-8
 N237VEP: 8-41430-01149-1

Package Dimensions

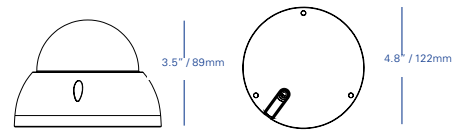
11.0 x 5.2 x 4.3" / 279 x 132 x 109mm
 6.7 x 6.7 x 6.6" / 170 x 170 x 167mm

11.0 x 5.2 x 4.3" / 279 x 132 x 109mm
 6.7 x 6.7 x 6.6" / 170 x 170 x 167mm

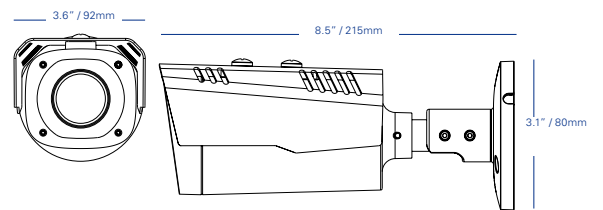


Dimensions

N237VE



N237BE



MARKHAM, ONTARIO

FLIR Systems, Inc.
 250 Royal Crest Court
 Markham, ON L3R 3S1
 Canada
 PH: +1 866.344.4674

www.flir.com/security
 NASDAQ: FLIR

PORTLAND

Corporate Headquarters
 FLIR Systems, Inc.
 27700 SW Parkway Ave.
 Wilsonville, OR 97070
 USA
 PH: +1 866.477.3687

Equipment described herein may require US Government authorization for export purposes. Diversion contrary to US law is prohibited. Imagery for illustration purposes only. Specifications are subject to change without notice. ©2015 FLIR Systems, Inc. All rights reserved. [Created 04/22/15]