



DWC-D3763TIR



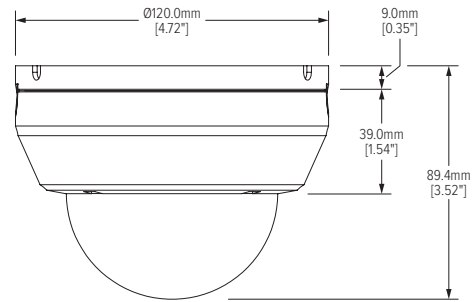
## Summary

Groundbreaking STAR-LIGHT AHD™ High Definition Cameras use existing coaxial cables to transmit crystal-clear detailed 1080p images. The cameras offer 2.1MP resolution along with powerful features such as P-Iris Lens, Wide Dynamic Range (DWDR) and True Day/Night with Mechanical IR Cut Filter. The STAR-LIGHT AHD cameras are engineered to work with VMAX AHD DVRs, offering an easy upgrade from analog to high definition surveillance using existing infrastructure for a cost-effective, high resolution surveillance solution.

## Features

- Analog High Definition (AHD) HD over Coax Technology
- STAR-LIGHT™ Super Low Light Technology
- 1/2.7" CMOS Sensor
- 1080P Resolution at 30fps
- Digital Wide Dynamic Range (DWDR)
- Varifocal P-Iris Lens 2.8~12mm
- Smart IR™ with Intelligent Camera Sync. 100ft Range
- Smart DNR™ 3D Digital Noise Reduction
- Highlight Masking Exposure (HME)
- True Day/Night Mechanical IR Cut Filter
- OSD Control via Coax Cable using UTC
- Programmable Privacy Zones
- Auto Gain Control (AGC)
- Back Light Compensation (BLC)
- Dynamic Range Compressor (DRC) Reveals Low Light Detail
- Auto White Balance (AWB)

## Dimensions (unit : mm [inch])



## Specifications

| IMAGE                      |                                    |
|----------------------------|------------------------------------|
| Image Sensor               | 1/2.7" CMOS Sensor                 |
| Active Pixels              | 1920(H) x 1080(V)                  |
| Scanning System            | Progressive scan                   |
| Frequency                  | 60Hz/50Hz                          |
| Signal Technology          | 2.0 Megapixel AHD                  |
| Synchronization            | Internal                           |
| Resolution                 | 1920x1080 (1080p)                  |
| Minimum Scene Illumination | F1.4 (30IRE): 0.5Lux [Color]       |
|                            | F1.4 (30IRE): 0 Lux [B&W]          |
| S/N Ratio                  | 55dB                               |
| Video Output               | AHD 1080p30fps/720p60fps/720p30fps |
| LENS                       |                                    |
| Focal Length               | 2.8 ~ 12mm                         |
| Lens Type                  | P-Iris Varifocal                   |
| IR Distance                | 100ft                              |
| OPERATIONAL                |                                    |
| Shutter Speed              | 1/30(25)-1/30,000                  |
| Backlight                  | Off/ On                            |
| STAR-LIGHT (Sense-up)      | OFF, x2 -x32                       |
| Wide Dynamic Range (WDR)   | Off/ On                            |
| Digital Noise Reduction    | Off, Low, Middle, High             |
| White Balance              | Auto / Auto-Ex/ Preset / Manual    |
| Day and Night              | Day/ Night/ Auto                   |
| Mirror/ Flip               | Yes                                |
| Auto Gain Control          | Max 60dB                           |
| Motion Detection           | Yes                                |
| Privacy Zones              | 4 Privacy Zones                    |
| Sharpness                  | 0 ~ 10                             |
| Gamma                      | 0.45 ~ 0.75                        |
| Digital Zoom               | x1.0 ~ x16.0                       |
| ENVIRONMENTAL              |                                    |
| Operating Temperature      | -20°C ~ 50°C (-4°F ~ 122°F)        |
| Operating Humidity         | than 90% (Non-Condensing)          |
| IP Rating                  | ---                                |
| Other Certifications       | FCC, CE, ROHS                      |
| ELECTRICAL                 |                                    |
| Power Requirements         | DC12V                              |
| Power Consumption          | LED Off: 3.06W, 255mA              |
|                            | LED On: 3.78W, 315mA               |
| MECHANICAL                 |                                    |
| Material                   | Plastic                            |
| Dimensions                 | 120 x 89.4 mm (4.72 X 3.52 in)     |
| Weight                     | 0.5lbs                             |

\*Specifications subject to change without notice.