



NC304-MB

4 MP WDR Mini Bullet Network Camera



- Up to 4 megapixel high resolution
- Full HD1080p video
- Dual video streams
- 4mm/6mm fixed lens
- 120dB Wide Dynamic Range
- 3D Digital Noise Reduction
- Backlight Compensation
- DC12V & PoE
- Support H.264+
- Up to 30m IR range
- 3-axis adjustment
- IP66 weather-proof protection
- Metallic housing & bracket

Technical Specifications

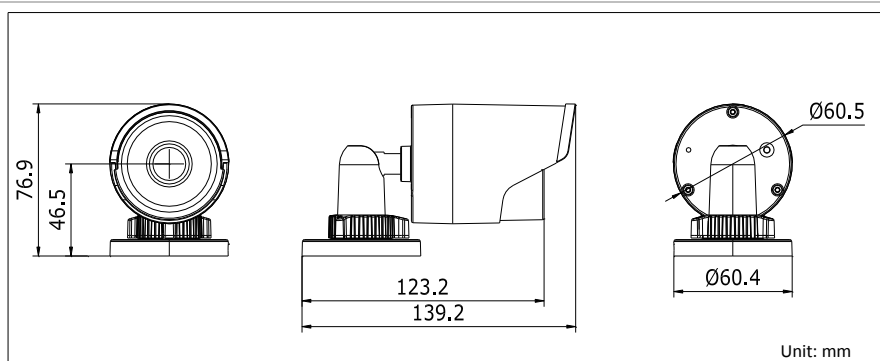
Camera	
Image Sensor	1/3" Progressive Scan CMOS
Min. Illumination	0.01Lux @ (F1.2, AGC ON), 0 Lux with IR
Shutter Speed	1/3 s to 1/10,000 s
Lens	4mm, 6mm @ F2.0, Angle of view: 83°(4mm) , 55.4°(6mm)
Lens Mount	M12
Day &Night	IR cut filter with auto switch
DNR	3D DNR
Wide Dynamic Range	120dB
Compression Standard	
Video Compression	H.264 / MJPEG/H.264+
H.264 Type	Main Profile
Video Bit Rate	32 Kbps ~ 16 Mbps
Dual streams	Support



NC304-MB

4 MP WDR Mini Bullet Network Camera

Image	
Max. Resolution	2688×1520
Frame Rate	50Hz: 20fps (2688×1520), 25fps(1920×1080), 25fps(1280×720) 60Hz: 20fps (2688×1520), 30fps (1920×1080), 30fps(1280×720)
Image Setting	Rotate Mode, Saturation, Brightness, Contrast, Sharpness adjustable by client software or web browser
BLC	Support, zone configurable
ROI Codec	Support
Network	
Network Storage	NAS (Support NFS,SMB/CIFS), ANR
Alarm Trigger	Motion detection, Tampering alarm, Network disconnect, IP address conflict, Storage exception
Protocols	TCP/IP, UDP, ICMP, HTTP, HTTPS, FTP, DHCP, DNS, DDNS, RTP, RTSP, RTCP, PPPoE, NTP, UPnP, SMTP, SNMP, IGMP, 802.1X, QoS, IPv6, Bonjour
General	One-key reset, Flash-prevention, dual stream, heartbeat, mirror, password protection, privacy mask, watermark, IP address filtering, Anonymous access
Standard	ONVIF (PROFILE S, PROFILE G), PSIA, CGI, ISAPI
Interface	
Communication Interface	1 RJ45 10M/100M Ethernet port
General	
Operating	-30 °C ~ 60 °C (-22 °F – 140 °F), Humidity 95% or less (non-condensing)
Power Supply	DC12V ± 10%, PoE (802.3af)
Power	Max. 5W
IR Range	Approx. 30 meters
Ingress Protection	IP66
Dimensions	60.4×76.9×139.2 mm (2.4" × 3.0" × 5.5")
Weight	500g (1.1lbs)



Winic Technologies USA Inc.

42 Central Avenue, Farmingdale, New York 11735

Tel: +631-396-0800

Fax: +631-396-0805

Email:sales@winictech.com

www.winictech.com

Design and specifications are subject to change without notice