

Weather-Resistant Mushroom-Cap Request-to-Exit Plates

- SD-7201GCPE1Q** Green button, "Exit" and Salida," SPDT
- SD-7201GC-PEQ** Green button, "Push To Exit," SPDT
- SD-7201GFPE1Q** Green button, "Exit" and "Salida," DPDT
- SD-7201GAPT1Q** Green button, "Exit" and Salida,"SPDT, Timer
- SD-7217GWQ** Green button, English, Spanish and French decals, SPDT, with white plate
- SD-7201RCPE1Q** Red button, "Exit" and Salida," SPDT



SD-7201GC-PEQ

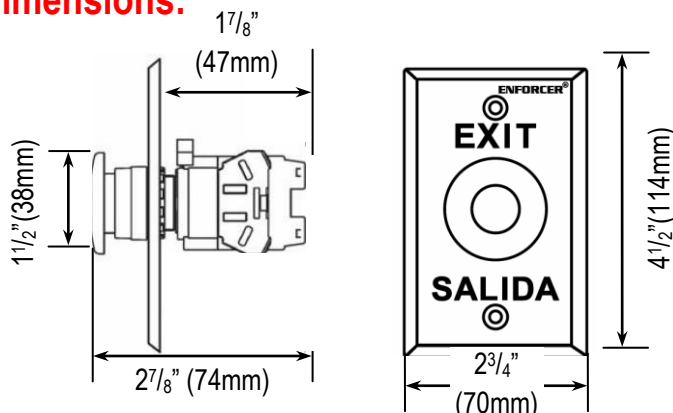


SD-7201GCPE1Q
SD-7201GF-PE1Q
SD-7201GAPT1Q

Features:

- Weather-resistant mushroom-cap push-button is ideal for a number of outdoor access situations
- 1 1/2" (38mm) diameter mushroom-cap button (green or red)
- Single-gang plate
- Contact rating: 5A@125VAC

Dimensions:



SD-7217GWQ



SD-7201RCPE1Q