

## ENFORCER Wireless Request-to-Exit Plates

### Troubleshooting:

LED is red	• 9V battery is low, replace with new one
LED does not light	• Check battery connection • Replace 9V battery
LED lights blue, but does not activate lock	• Check to make sure wireless request-to-exit plate is not housed in a metal box • Test wireless request-to-exit plate closer to the receiver • Clear codes from receiver, and re-learn wireless plate transmitter code

### Also Available from SECO-LARM:

Desktop RF Transmitters



**SK-919TP4D-P**  
(shown)

Wireless RF Receivers



**SK-910R4**  
(shown)

Wired 1-channel Transmitter



**SK-919TDWS-BU**

Handheld Transmitters



**SK-919TP4H-NU**  
(shown)

Extended Range Antenna



**SK-91ERSD**

Pendant-Style Transmitters



**SK-919TP4J-N**  
(shown)

Single-Gang Push-to-Exit Plates



**SD-7201GC-PE1**  
(shown)

Slim-Line Push-to-Exit Plates



**SD-7104SGEX1Q**  
(shown)

### FCC COMPLIANCE STATEMENT

FCC ID: K4E8202GT-PEQ

THIS DEVICE COMPLIES WITH PART 15 OF THE FCC RULES. OPERATION IS SUBJECT TO THE FOLLOWING TWO CONDITIONS: (1) THIS DEVICE MAY NOT CAUSE HARMFUL INTERFERENCE AND (2) THIS DEVICE MUST ACCEPT ANY INTERFERENCE RECEIVED, INCLUDING INTERFERENCE THAT MAY CAUSE UNDESIRABLE OPERATION.

Notice: The changes or modifications not expressly approved by the party responsible for compliance could void the user's authority to operate the equipment.

IMPORTANT NOTE: To comply with the FCC RF exposure compliance requirements, no change to the antenna or the device is permitted. Any change to the antenna or the device could result in the device exceeding the RF exposure requirements and void user's authority to operate the device.

**WARRANTY** This SECO-LARM product is warranted against defects in material and workmanship while used in normal service for a period of one (1) year from the date of sale to the original consumer customer. SECO-LARM's obligation is limited to the repair or replacement of any defective part if the unit is returned, transportation prepaid, to SECO-LARM. This Warranty is void if damage is caused by or attributed to acts of God, physical or electrical misuse or abuse, neglect, repair, or alteration, improper or abnormal usage, or faulty installation, or if for any other reason SECO-LARM determines that such equipment is not operating properly as a result of causes other than defects in material and workmanship. The sole obligation of SECO-LARM, and the purchaser's exclusive remedy, shall be limited to replacement or repair only, at SECO-LARM's option. In no event shall SECO-LARM be liable for any special, collateral, incidental, or consequential personal or property damages of any kind to the purchaser or anyone else.

**NOTICE:** The information and specifications printed in this manual are current at the time of publication. However, the SECO-LARM policy is one of continual development and improvement. For this reason, SECO-LARM reserves the right to change specifications without notice. SECO-LARM is also not responsible for misprints or typographical errors.

Copyright © 2014 SECO-LARM U.S.A., Inc. All rights reserved. This material may not be reproduced or copied, in whole or in part, without the written permission of SECO-LARM.

### SECO-LARM® U.S.A., Inc.

16842 Millikan Avenue, Irvine, CA 92606

Tel: 800-662-0800 / 949-261-2999 Fax: 949-261-7326

Website: [www.seco-larm.com](http://www.seco-larm.com)

E-mail: [sales@seco-larm.com](mailto:sales@seco-larm.com)

 PITTSW1  
MiSD-8000Q\_150902.docx  
Order Part #763-161-3%

SECO-LARM U.S.A., Inc.

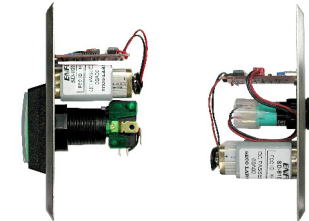
# ENFORCER® Access

## MANUAL

### Wireless Request-to-Exit Plates SD-8000 Series



**SD-8202GT-PEQ**  
(shown)



Wireless



**SD-8103GT-PEQ**  
(shown)

The ENFORCER Wireless RF Request-to-Exit Buttons are the ideal solution for difficult Access Control installations. The RTE plates combine the very best of SECO-LARM, flexible wireless solutions and reliable access control. The RTE plates are perfect for cement or brick walls, or any other location where it is difficult to run wires.

- Built-in RF transmitter:
  - Powered by 9VDC (battery included).
  - Range up to 250 feet\*. 315MHz.
  - Over 68 billion (6.8x10<sup>10</sup>) possible codes.
  - LED to indicate transmission and low battery.
- Available in 2 different button configurations:
  - Green 2" square
  - Green, small, square
- English "Push to Exit" and Spanish "Presione para Salir" messages included.
- Stainless-steel single-gang or slim-line plate.

\*Transmission range will vary depending on installation and operating environment

SECO-LARM® SLI



## ENFORCER Wireless Request-to-Exit Plates

### SD-8000 Series of Wireless RTE Plates:

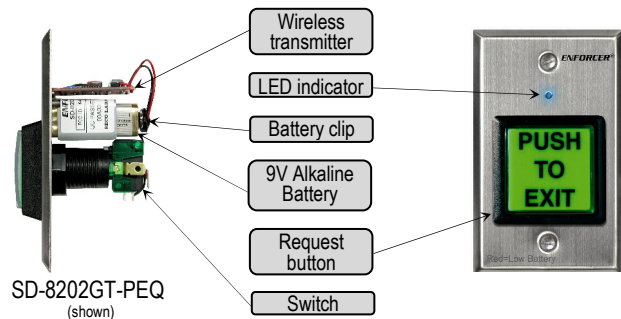


SD-8202GT-PEQ	SD-8201GTPE1Q	SD-8104STEX1Q	SD-8101RTPE1Q	SD-8103GT-PEQ
Single-Gang	Single-Gang	Slimline	Slimline	Slimline
2" Square Green Pushbutton	Green Mushroom Pushbutton	Vandal-Resistant Pushbutton	Small Red Pushbutton	Small Square Pushbutton

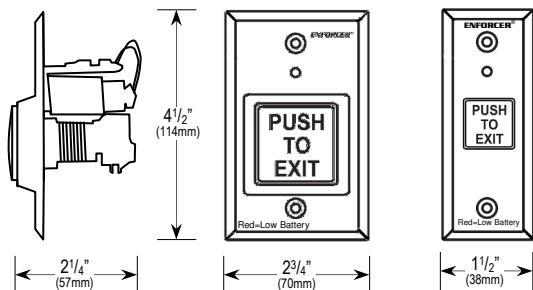
### Specifications:

Operating frequency	315 MHz	
Operating voltage	9VDC	
Battery life	Up to four (4) years (60 uses per day)	
Dimensions	Single-gang	4 1/2" x 2 3/4" x 2 1/4" (114 x 70 x 57 mm)
	Slim-line	4 1/2" x 2 1/4" x 1 1/2" (114 x 57 x 38 mm)

### Detail: Wireless Request-to-Exit Plates



### Dimensions:



## ENFORCER Wireless Request-to-Exit Plates

### Installation:

- Find a suitable location for the wireless request-to-exit plate.  
**NOTE: Do not house the plate in a metal box, this will greatly reduce the range.**
- The wireless request-to-exit plate can be either surface mounted or flush mounted.
- Test the operation of the wireless request-to-exit plate in the location where it will be installed.  
**NOTE: The wireless request-to-exit plate first needs to be programmed into the SK-910R receiver before testing. See SK-910R receiver manual for transmitter learning procedure.**
- Check and make sure the battery clip is securely connected. Then mount the wireless request-to-exit plate in the back-box and secure it with the 2 included screws.

### Changing the Battery:

The wireless request-to-exit plate has multi-colored LED that illuminates blue when the button is pressed. When the battery begins to run low, the LED will illuminate red. To change the battery:

- Remove the 2 screws from the front of the plate and remove the plate from the back-box.
- Remove the battery clip from the 9V battery and remove the battery from the bracket.
- Place the new battery in the bracket and snap the battery clip to the new battery.
- Test the unit with the new battery. The LED should illuminate blue.
- Put the plate back in the housing and secure it to the back-box using the screws on the front.

### Sample Application: Connecting to multiple wireless devices to an Electromagnetic Lock:

