

# H10Z0812AMS-2

**10X 8mm - 80mm F1.2**  
**for 1/2 type Cameras, Motorized Zoom**  
**C-Mount**

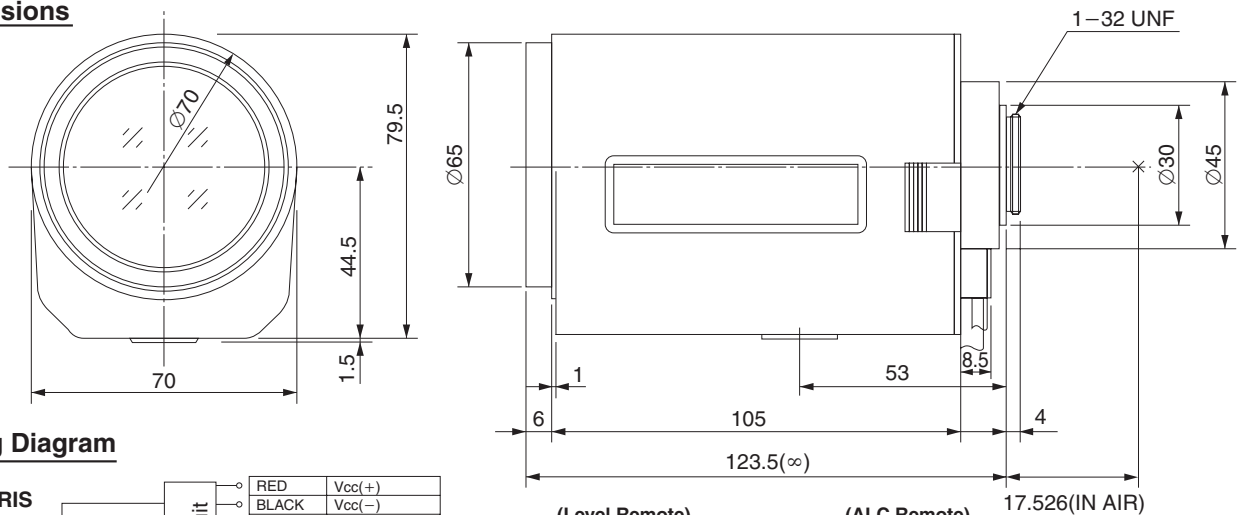
with Video Auto Iris

|                            |   |                  |                    |                          |              |          |              |
|----------------------------|---|------------------|--------------------|--------------------------|--------------|----------|--------------|
| Model No.                  | H10Z0812AMS-2   |                  | Effective          | Front                    | Ø54.0mm      |          |              |
| Focal Length               | 8mm - 80mm  |                  | Lens Aperture      | Rear                     | Ø14.0mm      |          |              |
| Max. Aperture Ratio        | 1:1.2   |                  | Back Focal Length  | 15.3mm                   |              |          |              |
| Max. Image Format          | 6.4mm x 4.8mm(Ø8mm)   |                  | Flange Back Length | 17.526mm                 |              |          |              |
| Operation Range            | Iris  | F1.2 - F560C     | Mount              | C-Mount                  |              |          |              |
|                            | Focus   | 1.5m - Inf.      | Filter Size        | M62 P=0.75mm             |              |          |              |
|                            | Zoom  | 8mm - 80mm       | Tripod Screw       | 1/4 - 20UNC              |              |          |              |
| Control                    | Iris  | Video Auto Iris  | Dimensions         | W70mm x H81mm x D123.5mm |              |          |              |
|                            | Focus   | Motorized        | Weight             | 670g                     |              |          |              |
|                            | Zoom  | Motorized        |                    |                          |              |          |              |
| Object Dimension at M.O.D. | 8mm   | 124.8cm x 92.5cm |                    |                          |              |          |              |
|                            | 80mm  | 12.3cm x 9.2cm   |                    |                          |              |          |              |
| Angle of View              | D   | 1/2 type         | 54.3° - 5.8°       | 1/3 type                 | 41.3° - 4.4° | 1/4 type | 31.2° - 3.3° |
|                            | H   |                  | 44.0° - 4.7°       |                          | 33.3° - 3.5° |          | 25.0° - 2.6° |
|                            | V   |                  | 33.3° - 3.5°       |                          | 25.0° - 2.6° |          | 18.8° - 2.0° |
|                            |   | Iris             | Focus              | Zoom                     |              |          |              |
| Supply Voltage             | DC8.5V - DC16V  |                  | DC8V               | DC8V                     |              |          |              |
| Current                    | 40mA or less  |                  | 40mA or less       | 35mA or less             |              |          |              |
| Response Time              | Approx. 2 sec.  |                  | Approx. 4.5 sec.   | Approx. 3.5 sec.         |              |          |              |
| Preset Potentiometer       | —   |                  | —                  | —                        |              |          |              |
| Light Weighting Method     | Adjustable between Average - Peak (to be Set at Average at Factory) |                  |                    |                          |              |          |              |
| Remote Control             | Level Remote (Option) / ALC Remote (Option)                         |                  |                    |                          |              |          |              |
| Input Signal               | Video Signal (V or VS)  |                  |                    |                          |              |          |              |
| Iris Accuracy              | ±15% at Video Signal Level  |                  |                    |                          |              |          |              |
| Sensitivity Adjustment     | 0.5V(p-p) - 1.0V(p-p) (Video Signal)                                |                  |                    |                          |              |          |              |
| Input Impedance            | High Impedance  |                  |                    |                          |              |          |              |
| Operating Temperature      | -10°C - +50°C   |                  |                    |                          |              |          |              |

1/2 type

C

**Dimensions**



**Wiring Diagram**

