

Troubleshooting:

PoE device doesn't function properly

- If distance is over 328ft (100m), ensure that the link speed is set to 10Mbps
- Check that the PoE mode switch is set correctly and is the same on both transmitter and receiver
- Make sure the input device is turned on
- Make sure the output device is turned on
- Test the coax cable between the receiver and transmitter to make sure it is operational
- Try installation again using the crossover cables and setting the PoE mode switch to "End Span" in the process described in "Sample Installation" on pg. 3.

Also Available from **SECO-LARM®**:

PoE Surge Protectors
IPV-P188Q



PoE Injectors
NJ-P101M-PQ



PoE Repeaters
NR-P101FQ/TQ



Ethernet over Coax
IPB-A1200Q



Ethernet Extenders
IPB-A1100Q



Basic Ethernet Extenders
NE-SE01-020Q



IMPORTANT: Users and installers of this product are responsible for ensuring this product complies with all national, state, and local laws and statutes related to monitoring and recording audio and video signals. SECO-LARM will not be held responsible for the use of this product in violation of any current laws or statutes.

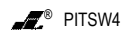
WARRANTY: This SECO-LARM product is warranted against defects in material and workmanship while used in normal service for one (1) year from the date of sale to the original customer. SECO-LARM's obligation is limited to the repair or replacement of any defective part if the unit is returned, transportation prepaid, to SECO-LARM. This Warranty is void if damage is caused by or attributed to acts of God, physical or electrical misuse or abuse, neglect, repair or alteration, improper or abnormal usage, or faulty installation, or if for any other reason SECO-LARM determines that such equipment is not operating properly as a result of causes other than defects in material and workmanship. The sole obligation of SECO-LARM and the purchaser's exclusive remedy, shall be limited to the replacement or repair only, at SECO-LARM's option. In no event shall SECO-LARM be liable for any special, collateral, incidental, or consequential personal or property damage of any kind to the purchaser or anyone else.

NOTICE: The information and specifications printed in this manual are current at the time of publication. However, the SECO-LARM policy is one of continual development and improvement. For this reason, SECO-LARM reserves the right to change specifications without notice. SECO-LARM is also not responsible for misprints or typographical errors. Copyright © 2015 SECO-LARM U.S.A., Inc. All rights reserved. This material may not be reproduced or copied, in whole or in part, without the written permission of SECO-LARM.

SECO-LARM® U.S.A., Inc.

16842 Millikan Avenue, Irvine, CA 92606
Phone: (949) 261-2999 | (800) 662-0800

Website: www.seco-larm.com
Email: sales@seco-larm.com



MINE-AE01-030TQ_150612.docx

SECO-LARM U.S.A., Inc.



NE-AE01-030TQ

Ethernet over Coax with PoE

Manual



- Extends powered Ethernet devices, such as cameras with PoE, over existing coax cable
- Connects cameras with PoE to 10/100BaseT PoE Injector/Switches over single coax cable
- Supports PoE: IEEE802.3af/at
- Supports 10/100 Mbps transmission rate
- Can extend up to 984ft (300m)

Note: Works only with PoE compatible devices

SECO-LARM® SLI



ENFORCER Ethernet over Coax with PoE

Introduction:

ENFORCER Ethernet over Coax with PoE is designed to connect a camera with PoE or other PoE device using existing coax cables at distances up to 984ft (300m), providing both data and power over a single coax cable. It is compatible with any camera with PoE and is perfect for replacing an analog camera with a camera with PoE without expensive rewiring.

Parts List:

2x Transceivers	8x Mounting screws
2x 6" Cat5e crossover Ethernet cables	8x Plastic wall anchors
1x Manual	

Specifications:

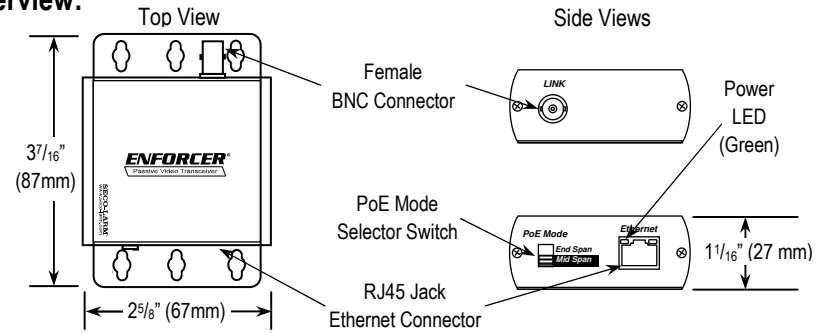
Link connection	BNC
Ethernet connection	RJ45
Linking cable	75Ω coax cable
Ethernet speed	10/100 Mbps
Transmission distance (maximum)	984ft (300m)
PoE standard	IEEE 802.3af / IEEE 802.3at
PoE mode setting	Mid-span / End-span
LED indicator	Power (green)
Power consumption	1.25W
Operating Temperature	32~131°F (0~55°C)
Dimensions	2 ⁵ / ₈ "x3 ⁷ / ₁₆ "x1 ¹ / ₁₆ " (67x87x27cm)
Weight	5.3-oz (150g)

Note: Transmission distance, speed, and power output depend on the quality of the coax cable used. Please refer to the following guidelines:

Coax Cable	Distance	Link Speed	Power Output	
			PoE IEEE 802.3af	PoE IEEE 802.3at
RG59	328ft (100m)	10Mbps	10W	20W
RG59	656ft (200m)	10Mbps	7W	18W
RG6U	328ft (100m)	100Mbps	10W	20W
RG6U	656ft (200m)	10Mbps	7W	18W
RG6U	984ft (300m)	10Mbps	5W	15W

ENFORCER Ethernet over Coax with PoE

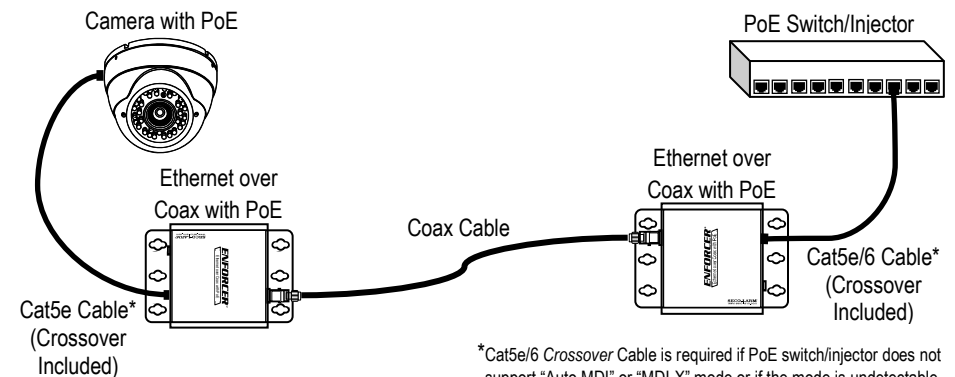
Overview:



Sample Installation:

- Determine the locations where the Ethernet over Coax with PoE units will be placed as well as how much coax cable will be necessary.
- Ensure that the PoE mode switch is at the correct setting for both units (default: Mid Span).
Important: Disconnect Ethernet cable from PoE Switch before switching PoE modes to avoid damage.
- If your PoE Switch supports "Auto MDI" or "MDI-X" mode, use two Cat5e/6 standard cables (not included) of not more than 6.5ft (2m) to connect the camera with PoE to one of the transceiver units and the PoE switch to the other transceiver unit.
- If your PoE Switch does not support "Auto MDI" or "MDI-X" mode or the mode is undetectable, use the two included crossover patch cables instead of standard cables.
- Connect the coax cable between the two transceiver units.
Note: For distances over 328ft (100m), the PoE Switch link speed should be manually set to 10Mbps.
- Switch on the devices to verify that the system is functioning properly (a green LED above the units' Ethernet port should light). If the system is not functioning properly, repeat the process from step 2~5 again but setting the PoE mode to "End Span" for both units.

Note: Only works with PoE devices.



*Cat5e/6 Crossover Cable is required if PoE switch/injector does not support "Auto MDI" or "MDI-X" mode or if the mode is undetectable.