

# ENFORCER®

SL-1901-DAQ      Strobe Light to Conduit Drop Bracket  
SL-1901-JAQ      Strobe Light to Conduit Box Bracket

## Installation Guide

---

### Parts List

1x	Drop Bracket (SL-1901-DAQ) or Box Bracket (SL-1901-JAQ)	4x	Medium Screws (for Conduit Drop and Conduit Box Installation)
1x	Adapter Plate	2x	Short Screws
1x	Rubber Gasket	2x	Long Screws
1x	Manual		

---

### Overview

These brackets may be used together or separately to allow for 3 different installation possibilities for a strobe light: to either a conduit box or conduit drop separately, or a conduit box in conjunction with a conduit drop.

Installation to  
Conduit Drop



Installation to  
Conduit Box



Installation to Conduit Box  
and Conduit Drop



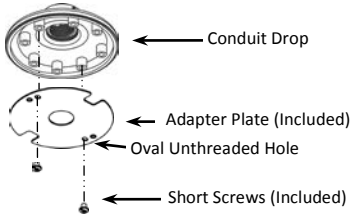
# ENFORCER Strobe Light to Conduit Mounting Brackets

## Sample Installation

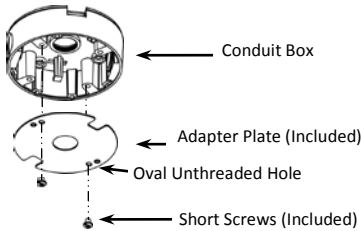
**Step One:** After installing/assembling conduit box/conduit drop, attach adapter plate as shown below

**Step Two:** Install Strobe Light to Adapter Plate (already attached to Conduit Box/Drop in Step One)

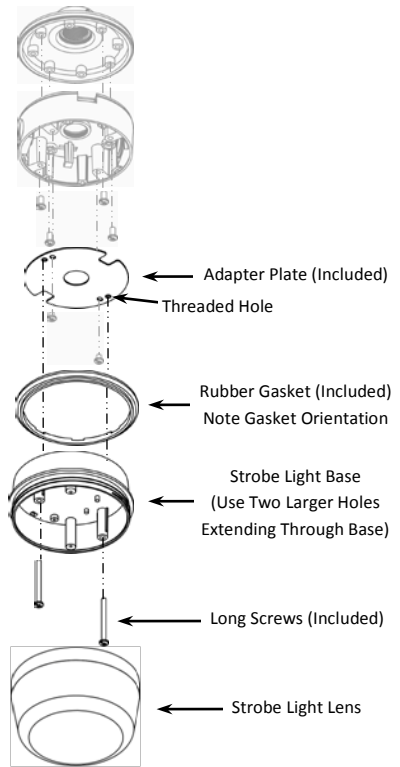
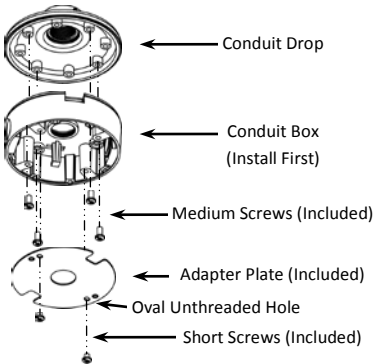
### To Conduit Drop Only



### To Conduit Box Only



### To Conduit Box and Conduit Drop



**WARRANTY:** This SECO-LARM product is warranted against defects in material and workmanship while used in normal service for 1 (one) year from the date of sale to the original customer.

**NOTICE:** The information and specifications printed in this manual are current at the time of publication. However, the SECO-LARM policy is one of continual development and improvement. For this reason, SECO-LARM reserves the right to change specifications without notice. SECO-LARM is also not responsible for misprints or typographical errors. Copyright © 2015 SECO-LARM U.S.A., Inc. All rights reserved. This material may not be reproduced or copied, in whole or in part, without the written permission of SECO-LARM.

## SECO-LARM® U.S.A., Inc.

16842 Millikan Avenue, Irvine, CA 92606

Phone: (949) 261-2999 | (800) 662-0800

Website: [www.seco-larm.com](http://www.seco-larm.com)

Email: [sales@seco-larm.com](mailto:sales@seco-larm.com)

 PICSN4  
Order Part #:762-118-1%  
MISL-1901-xAQ\_151106.docx