


NEW

TAMRON

Brightest in the Class at F/1.2



2.8mm  89°



3.5mm  71°



5mm  53°



6mm  44°

1/3 2.8-6mm F/1.2

ASPHERICAL VARI-FOCAL

Aspherical Optical Technology

Sharper image quality is made possible through Tamron's use of two Aspherical lens elements that enhance overall performance by eliminating image distortion and providing superb corner to corner sharpness.

More Selections Iris of Types

Not only can you get Tamron's 1/3" CS-mount 2.8-6mm lens in Manual Iris and DC-Iris, Tamron also offers a Video Iris version to meet the discriminating needs of today's applications.

Constant F-Number from Wide to Tele

35% brighter than F/1.4 at 2.8mm and more than 130% brighter than other lenses at 6mm, Tamron's 2.8-6mm is a true F/1.2 throughout the entire focal length range.

Low Distortion

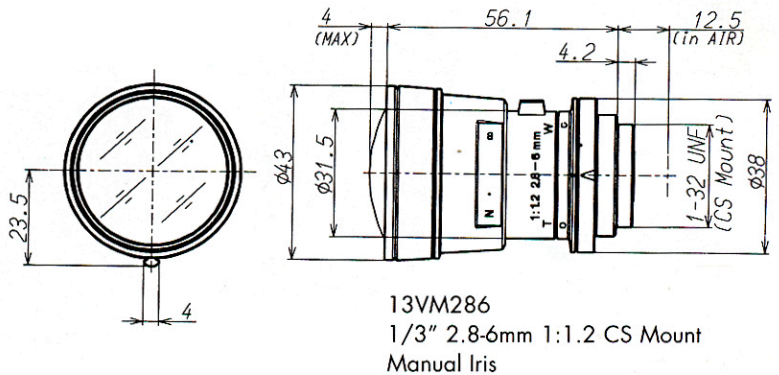
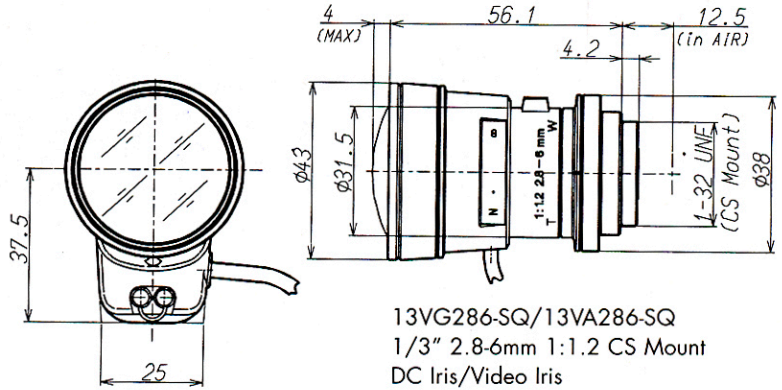
Even if the object your lens is focused on is in the corner of the image, Tamron's 2.8-6mm minimizes distortion to give you a natural image.

Wide Angle Coverage

Covers 89° horizontal view at the wideangle end. Ideal lens for surveillance in small space applications.

TAMRON

Vari-Focal 1/3" 2.8-6mm F/1.2 Specifications



(Unit = mm)

	Manual Iris	DC Iris	Video Iris
Model #	13VM286	13VG286-SQ	13VA286-SQ
Image format	1/3	←	←
Focal Length	2.8-6mm	←	←
Iris Range	F/1.2 to Close	F/1.2 to 64	F/1.2 to 64
Iris Operation	Manual Iris	DC Auto Iris	Video Auto Iris
Focus Operation	Manual	←	←
Zoom Operation	Manual	←	←
Angle of View	Wide	88.7° x 69.2°	←
	Tele	44.2° x 34.0°	←
Effective Diameter	Front	ø 34.2mm	←
	Rear	ø 9.9mm	←
Minimum Object Distance	11.8 (0.3m)	←	←
Back Focus (in air)	8.66mm	←	←
Maximum Diameter	ø 1.7 (ø 43mm)	←	←
Overall Length	2.2 (56.1mm)	←	←
Mount	CS	←	←
Weight	3.0 oz. (83 grams)	3.6 oz. (100 grams)	3.7 oz. (100 grams)