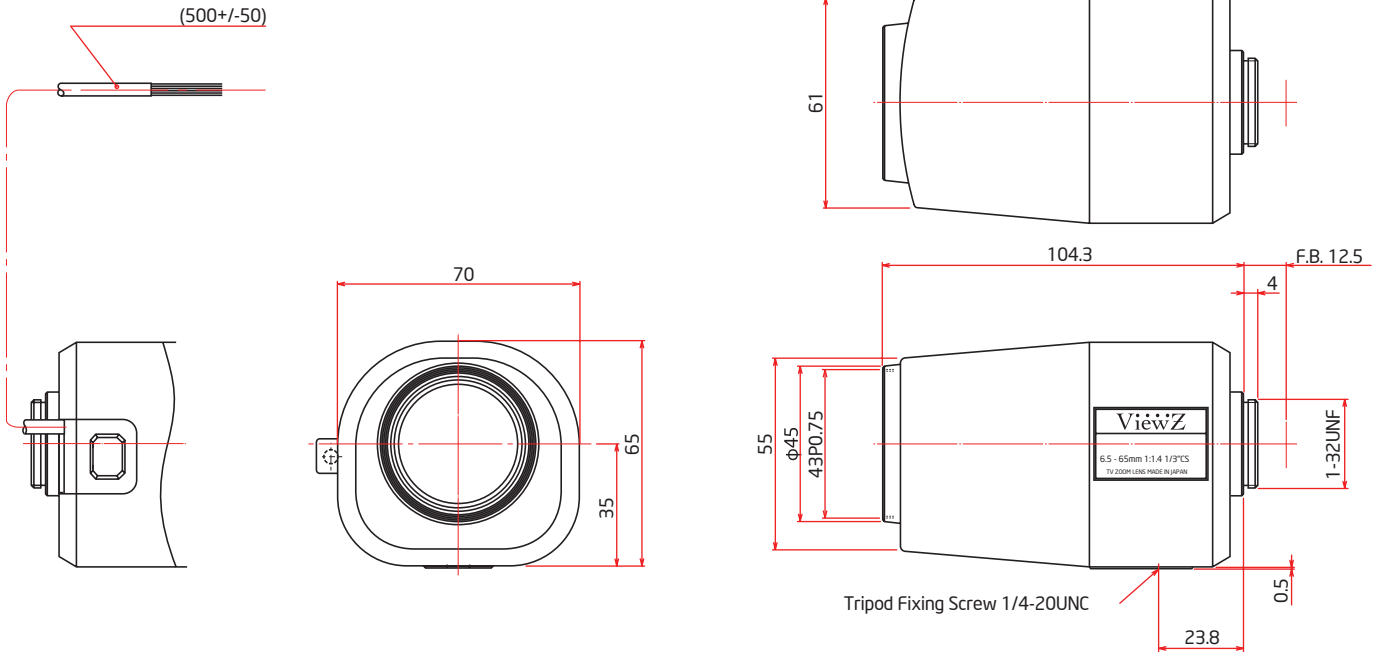


SPECIFICATIONS

Focal Length	6.5 - 65 mm	Flange Back	12.5 mm
Maximum Relative Aperture	1:1.4	Operation	Zoom Motorized (DC +/- 6.4V, Max 40mA) Speed Approx. 6.5sec.
Iris	F1.4 - Close		Focus Motorized (DC +/- 6.4V, Max 40mA) Speed Approx. 6.5sec.
Zoom Ratio	10 X		Iris Motorized (DC +/- 6.4V, Max 40mA) Speed Approx. 3sec.
Angular Field of View	40.5° x 31.0° at 6.5 mm 4.2° x 3.2° at 65 mm	Operation Temperature	- 10 °C ~ 50 °C / 14 °F ~ 122 °F
Image Format	4.8 x 3.6 mm (∅6 mm)	Mount	CS-Mount (Adjustable Lens Position)
Minimum Object Distance	1.2 m (From Front Vertex)	Front Thread	43 mm P0.75
Object Dimensions at M.O.D.	84.2 x 63.3cm at 6.5 mm 8.4 x 6.4cm at 65 mm	Size, Weight	70(W) x 65(H) x 104.3(D) mm, Approx. 285g
Optical Back Focal Distance	9.85 mm (In Air)		

DIMENSIONS

UNIT: mm



CIRCUIT DIAGRAM

