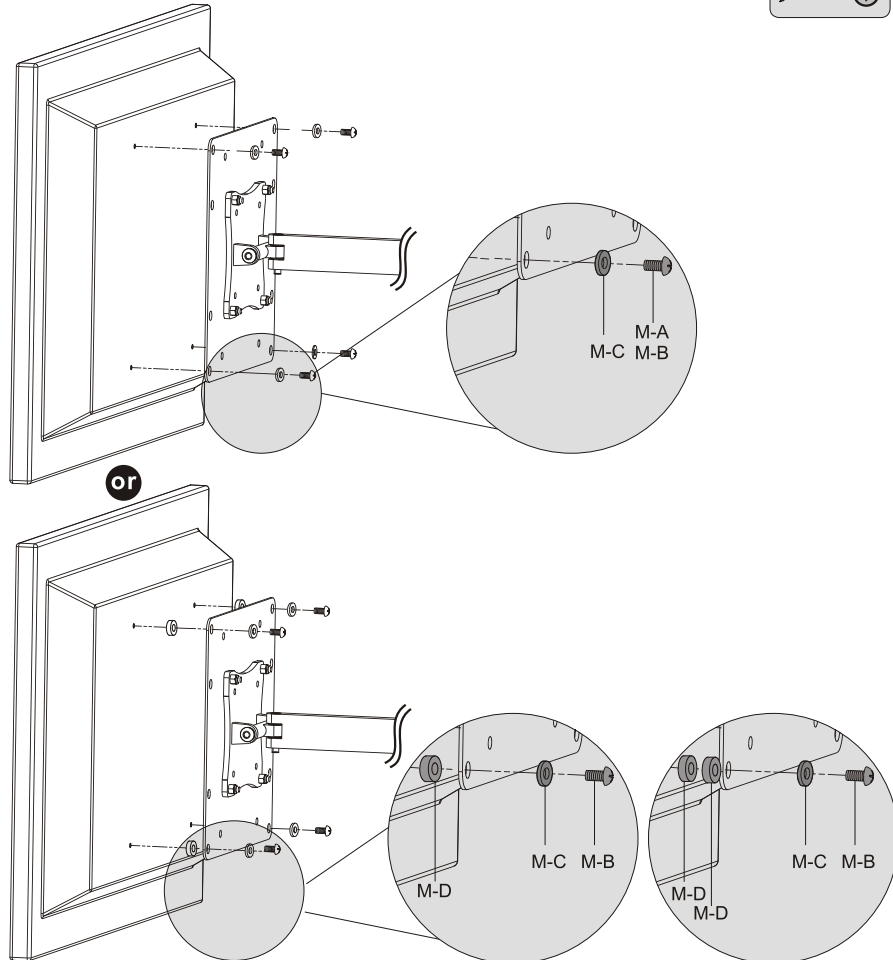
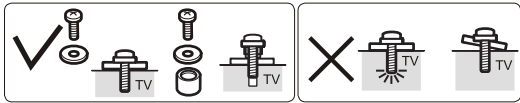


2. Installing the TV



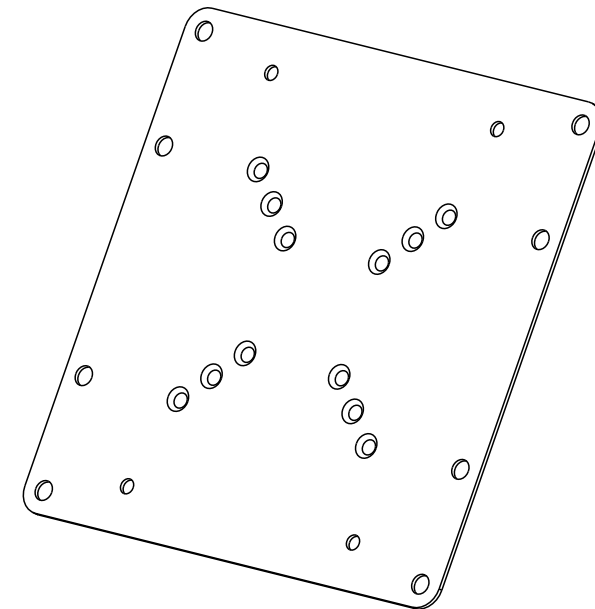
Lift the TV and match the holes on your TV with the holes on the mount. Secure your TV to the mount by tightening screws.

Tighten all screws but do not over tighten.

Maintenance

- Check that the bracket is secure and safe to use at regular intervals(at least every three months).
- Please contact your distributor if you have any questions.

VESA Adapter



CAUTION: DO NOT EXCEED RATED LISTED WEIGHT. SERIOUS INJURY OR PROPERTY DAMAGE MAY OCCUR!

VZ-AP200
VZ-AP200-S1



50x50,75x75
100x100,200x100
200x200



Display 24" - 32"



30kg
(66lbs)
RATED

ISSUED: JUL. 2013

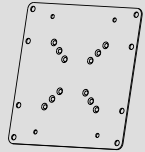
NOTE: Read the entire instruction manual before you start installation and assembly.

WARNING

- Do not begin the installation until you have read and understood all the instructions and warnings contained in this installation sheet. If you have any questions regarding any of the instructions or warnings, please contact your local distributor.
- This mounting bracket was designed to be installed and utilised **ONLY** as specified in this manual. Improper installation of this product may cause damage or serious injury.
- Tighten screws firmly, but do not over tighten. Over tightening can cause damage to the items, This greatly reduces their holding power.
- This product is intended for indoor use only. Using this product outdoors could lead to product failure and personal injury.

Component Checklist

IMPORTANT: Ensure that you have received all parts according to the component checklist prior to installation. If any parts are missing or faulty, telephone your local distributor for a replacement.



adapter plate (x1)
A

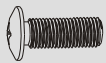


M5x16 (x4)
B



M5 nut (x4)
C

Package M



M6x14 (x4)
M-A



M8x20 (x4)
M-B

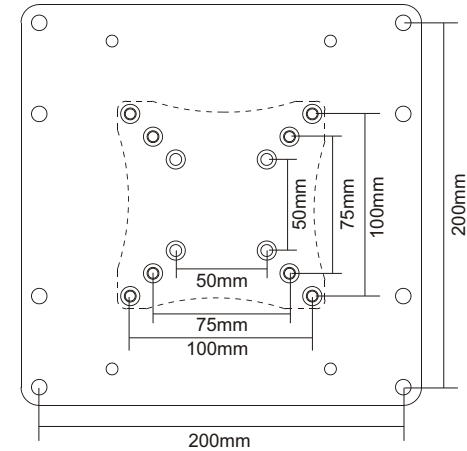


D8 washer (x4)
M-C

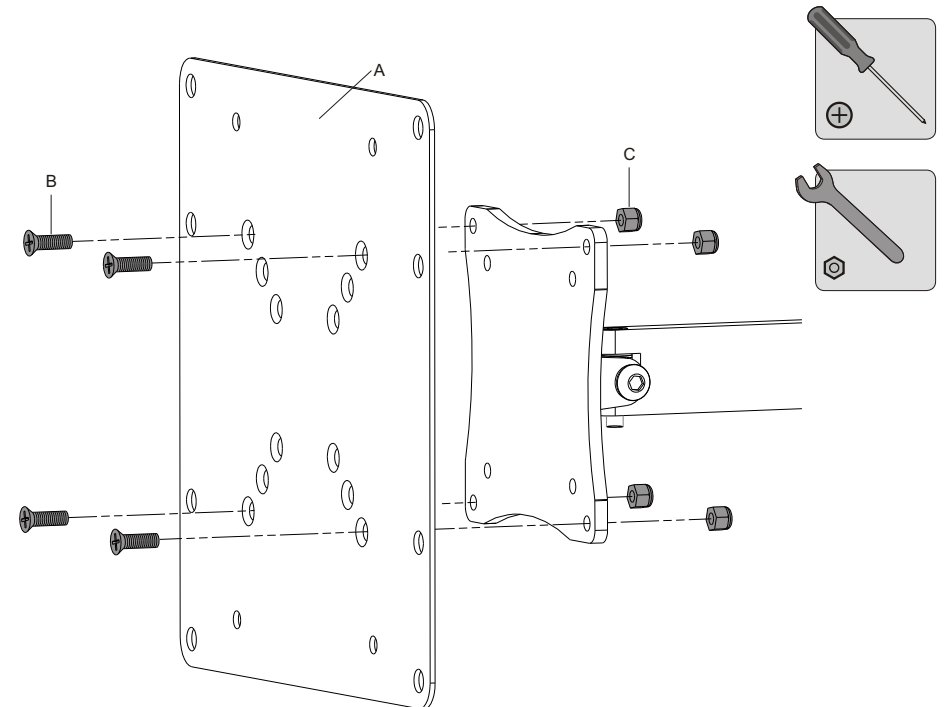


small spacer (x8)
M-D

1. Attaching the Adapter Plate to the Mounted Head



The adapter plate is only compatible with VESA 50x50/75x75/100x100 mounted head.



Attach the adapter plate to the mounted head using appropriate screws and nuts so that the hole pattern can be expanded to Max VESA 200x200.