

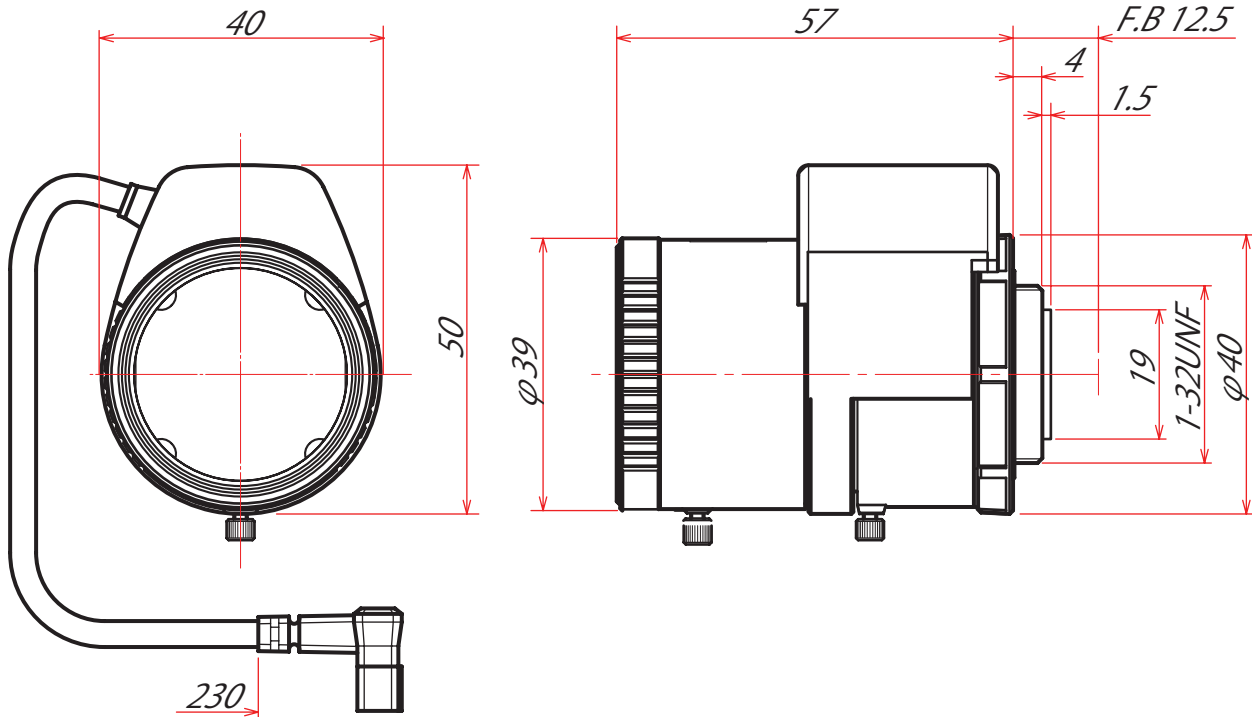
SPECIFICATIONS

F1.2 Aspherical + Day&Night IR Lens

Focal Length	2.7 ~ 12 mm	Flange Back	12.5 mm
Maximum Relative Aperture	1:1.2	Operation Voltage	Close to Open : Less than 3V Open to Close : More than 0.5V
Iris	F1.2 - Approx. 360 (With ND Spot Filter)	Operation Focus	Manual
Angular Field of View	97.4° x 72.4° at 2.7 mm 23.8° x 17.8° at 12 mm	Operation Zoom	Manual
Image Format	4.8 x 3.6 mm (∅6 mm)	Operation Iris	IG (Auto Close System)
Minimum Object Distance	0.3 m (From Front Vertex)	Operation Temperature	- 10 °C ~ 50 °C / 14 °F ~ 122 °F
Object Dimensions at M.O.D.	89.8 x 67.4cm at 2.7 mm 13.5 x 10.1cm at 12 mm	Mount	CS-Mount (Adjustable Lens Position)
Optical Back Focal Distance	7.13 mm (In Air)	Size, Weight	∅39 x 50(W) x 40(H) x 57(D) mm, Approx. 72g

DIMENSIONS

UNIT: mm



CIRCUIT DIAGRAM

