

1/3" Day/Night Vari-Focal with Video Auto-Iris 2.7–12mm F1.2 – CS-Mount

Compatible with 1/3" Cameras

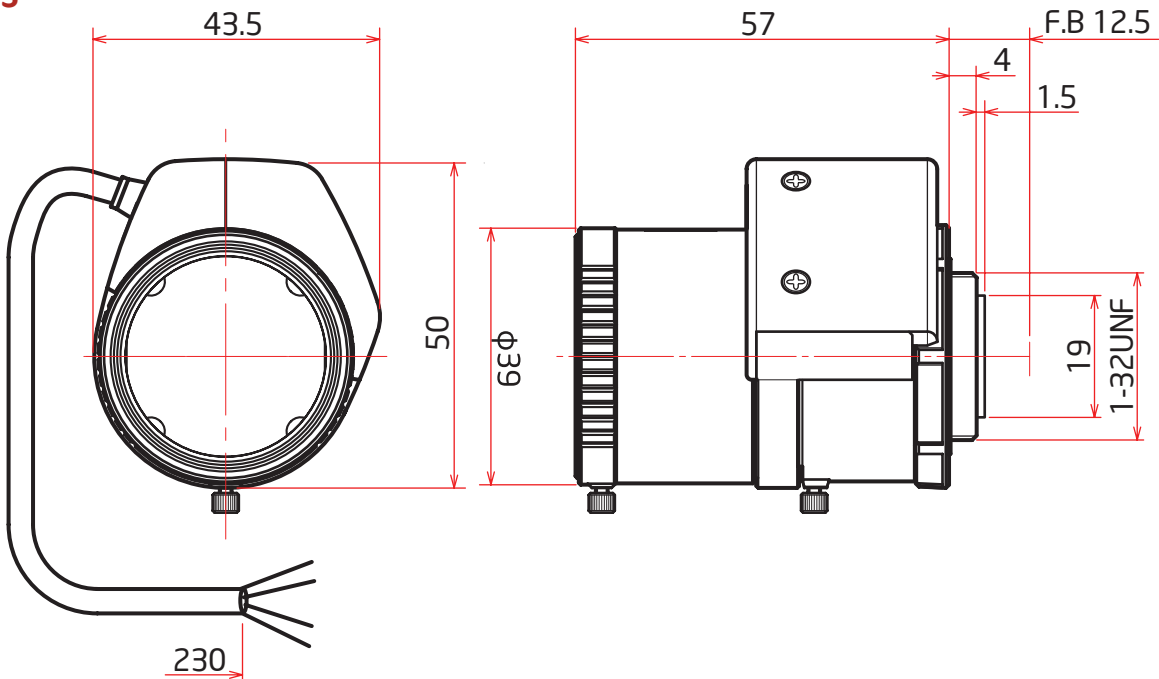
SPECIFICATIONS

F1.2 Aspherical + Day&Night Lens

Focal Length	2.7 ~ 12 mm	Input Impedance	High Impedance
Maximum Relative Aperture	1:1.2	Operation	Zoom
Iris	F1.2 - Approx. 360 (With ND Spot Filter)	Focus	Manual
Angular Field of View	97.4° x 72.4° at 2.7 mm 23.8° x 17.8° at 12 mm	Iris	EE (Auto Close System)
Image Format	4.8 x 3.6 mm (∅6 mm)	EE Mechanism	The built-in EE Amp amplifies the difference between the video signal from the camera and the preset Iris signal level. It causes the Iris to change size.
Minimum Object Distance	0.3 m (From Front Vertex)	EE Accuracy :	With Input Video Signal 0.7Vp-p Within ± 10% of Mean Value
Optical Back Focal Distance	7.13 mm (In Air)	Operation Temperature	- 10 °C ~ 50 °C / 14 °F ~ 122 °F
Flange Back	12.5 mm	Mount	CS-Mount (Adjustable Lens Position)
Input Signal	Composite Video Signal or Video Signal	Size, Weight	∅39 x 50(W) x 43.5(H) x 57(D) mm, Approx. 72g
Object Dimensions at M.O.D.	89.8 x 67.4cm at 2.7 mm 13.5 x 10.1cm at 12 mm		
Photometry Range	Approx. 40% - 70% Variable to Vp-p		

DIMENSIONS

UNIT: mm



CIRCUIT DIAGRAM

