

## 1/3" Day/Night Vari-Focal with DC Auto-Iris 3–8mm F1.2 – CS-Mount

Compatible with 1/3" Cameras

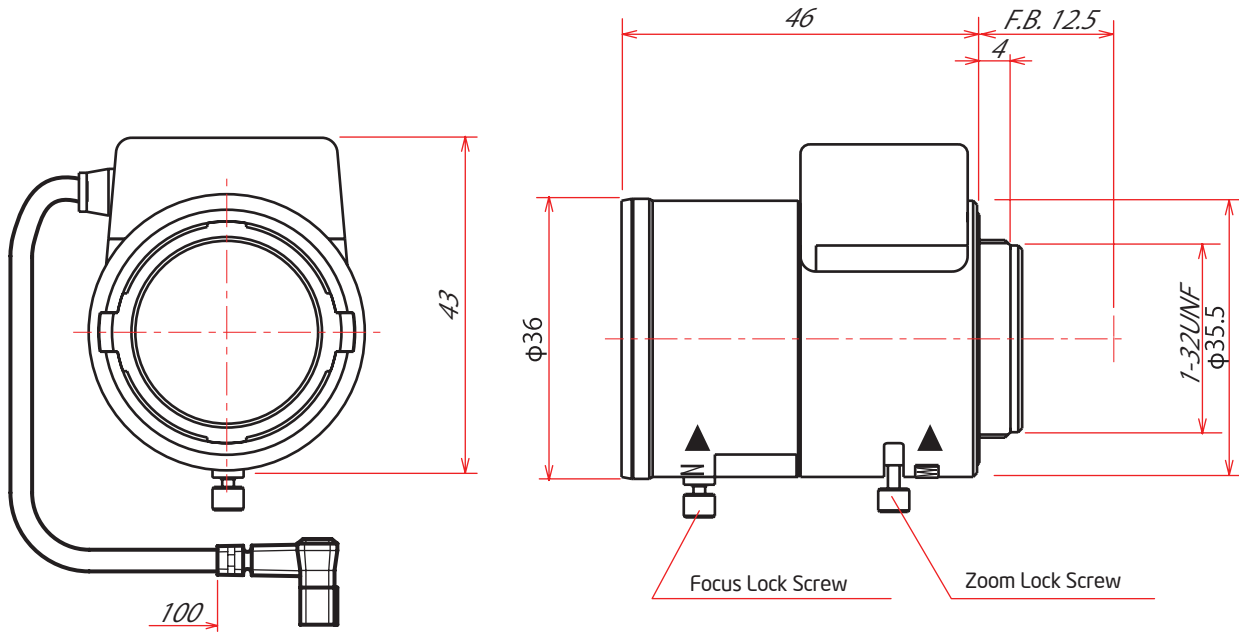
### SPECIFICATIONS

#### Day&Night Vari-Focal Lens

<b>Focal Length</b>	3 ~ 8 mm	<b>Flange Back</b>	12.5 mm
<b>Maximum Relative Aperture</b>	1:1.2	<b>Operation Voltage</b>	Close to Open : Less than 4.0V Open to Close : More than 0.5V
<b>Iris</b>	F1.2 - Approx. 360 ( With ND Spot Filter )	<b>Operation Focus</b>	Manual
<b>Angular Field of View</b>	92.5° x 68.5° at 3 mm 35.6° x 26.7° at 8 mm	<b>Operation Zoom</b>	Manual
<b>Image Format</b>	4.8 x 3.6 mm (∅6 mm)	<b>Operation Iris</b>	IG (Auto Close System)
<b>Minimum Object Distance</b>	0.3 m ( From Front Vertex )	<b>Operation Temperature</b>	- 10 °C ~ 50 °C / 14 °F ~ 122 °F
<b>Optical Back Focal Distance</b>	7.25 - 12.81 mm (In Air)	<b>Mount</b>	CS-Mount (Adjustable Lens Position)
<b>Object Dimensions at M.O.D</b>	63.1 x 40.4cm at 3mm 19.3 x 14.3cm at 8mm	<b>Size, Weight</b>	∅36 x 43(W) x 46(D) mm, Approx. 63g

### DIMENSIONS

UNIT: mm



### CIRCUIT DIAGRAM

