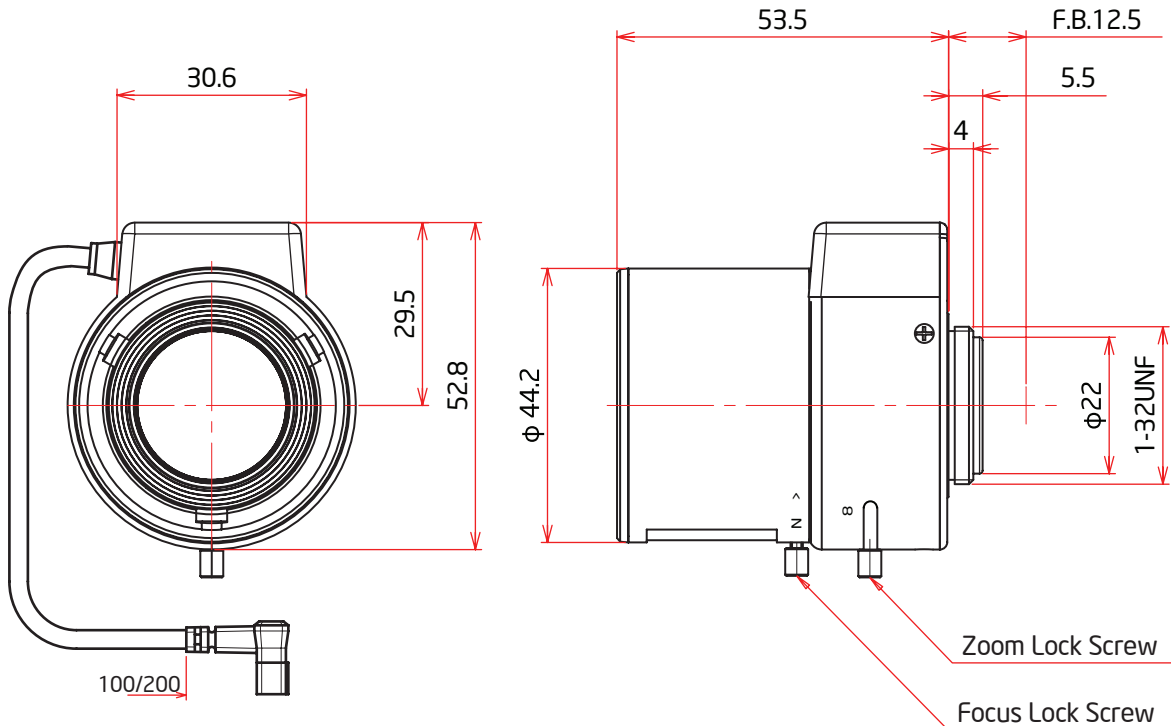


SPECIFICATIONS

Focal Length	3.8 - 8.0mm	Operation Voltage	Close to Open : Less than 4V Open to Close : More than 0.5V
Maximum Relative Aperture	1:1.4 (With ND Spot Filter)	Operation	Focus Manual
Iris	F1.4 - Approx. 360		Zoom Manual
Zoom Ratio	10 X		Iris IG(Auto Close System)
Angular Field of View	87.9° x 64.5° at 3.3mm 35.0° x 26.2° at 8.0mm	Operation Temperature	- 10 °C ~ 50 °C / 14 °F ~ 122 °F
Image Format	4.8 x 3.6mm (∅6 mm)	Mount	CS-Mount (Adjustable Lens Position)
Minimum Object Distance	0.5m (From Front Vertex)	Front Thread	52mm P0.75
Optical Back Focal Distance	7.21 ~ 12.61mm (In Air)	Size, Weight	∅ 44.2 x 52.8(W) x 53.5(D) mm, Approx. 80g
Flange Back	12.5 mm		

DIMENSIONS

UNIT: mm



CIRCUIT DIAGRAM

