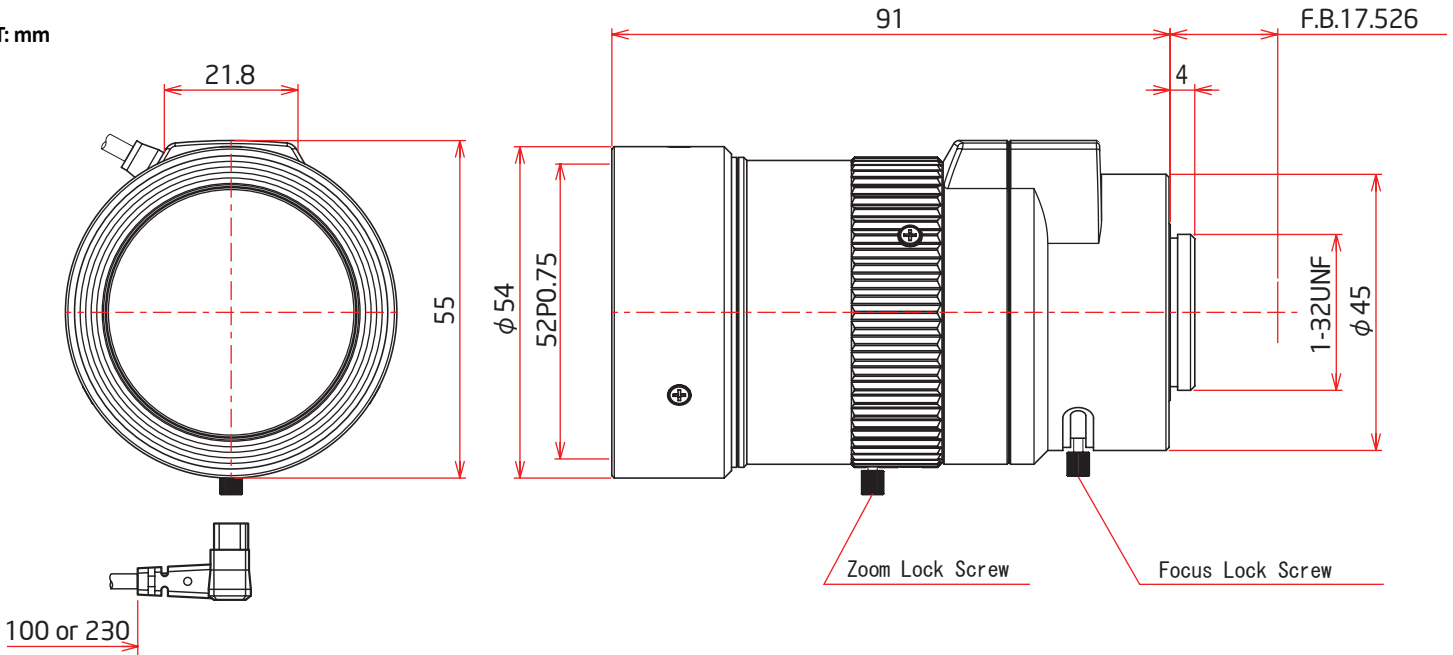


## SPECIFICATIONS

<b>Focal Length</b>	8.0 - 80mm	<b>Operation</b>	<b>Focus</b>	Manual
<b>Maximum Relative Aperture</b>	1:1.6 (With ND Spot Filter)		<b>Zoom</b>	Manual
<b>Iris</b>	F1.6 - Approx. 360		<b>Iris</b>	IG(Auto Close System)
<b>Zoom Ratio</b>	10 X			Close to Open : Less than 4V
<b>Angular Field of View</b>	46.6° x 34.3° at 8.0mm 4.7° x 3.6° at 80mm			Open to Close : More than 0.1V
<b>Image Format</b>	6.4 x 4.8mm (Ø8 mm)			Speed Within 4sec.
<b>Minimum Object Distance</b>	0.1m at 8.0mm (From Front Vertex) 0.7m at 80mm (From Front Vertex)	<b>Operation Temperature</b>		- 10 °C ~ 50 °C / 14 °F ~ 122 °F
<b>Optical Back Focal Distance</b>	17.07 ~ 21.42mm (In Air)	<b>Mount</b>		C-Mount (Adjustable Lens Position)
<b>Flange Back</b>	17.526mm	<b>Front Thread</b>		52mm P0.75
		<b>Size, Weight</b>		Ø54 x 55 (H) x 91.5(D) mm

## DIMENSIONS

UNIT: mm



## CIRCUIT DIAGRAM

