

1" Fixed Focal Length Video Auto-IRIS 25mm F1.4 – C-Mount

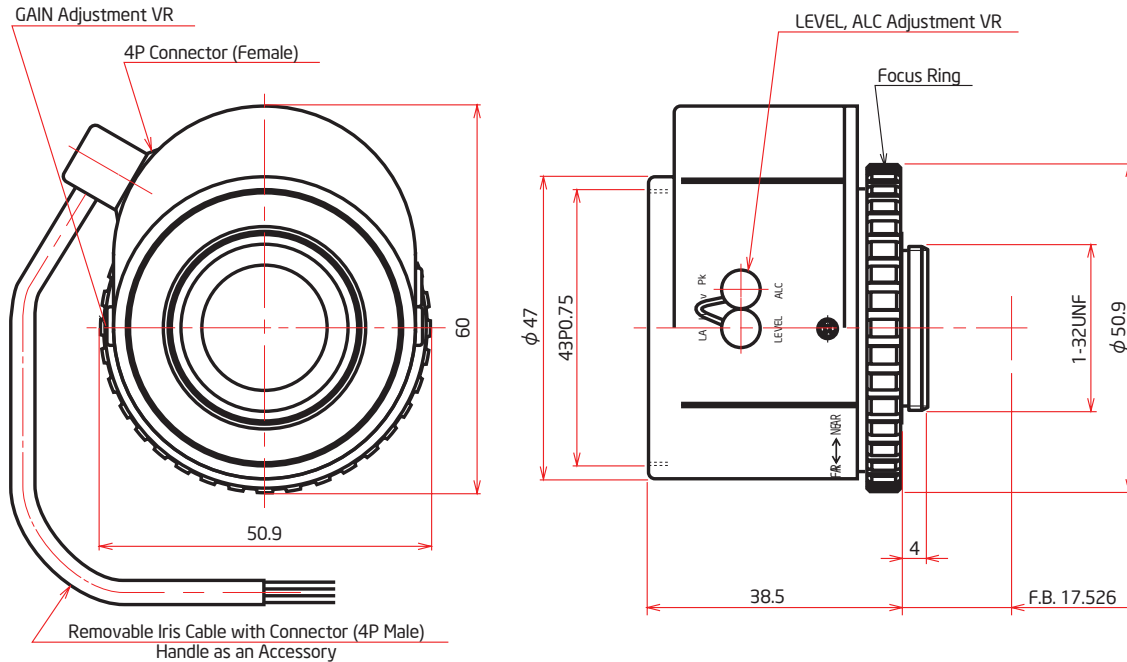
Compatible with 1", 2/3", 1/2", 1/3", 1/4" Cameras

SPECIFICATIONS

Focal Length	25mm	Photometry Range	Approx. 40% - 70% Variable to Vp-p
Maximum Relative Aperture	1:1.4	Input Impedance	High Impedance
Iris	F1.4 - Approx. 360 (With ND Spot Filter)	Operation Focus	Manual
Sensitivity Adjustment	0.5 - 1Vp-p (Image Signal)	Operation Iris	EE (DC+8 to 16V : Fixed Voltage, Max40mA) Speed Within 4sec.(Auto Close System)
Angular Field of View	28.7° x 21.7°	EE Mechanism	The built-in EE Amp amplifies the difference between the video signal from the camera and the preset Iris signal level. It causes the Iris to change size.
Image Format	12.8 x 9.6 mm (Ø16 mm)	EE Accuracy :	With Input Video Signal 0.7Vp-p Within +/-10% of Mean Value
Minimum Object Distance	0.5 m (From Front Vertex)	Operation Temperature	- 10 °C ~ 50 °C / 14 °F ~ 122 °F
Object Dimensions at M.O.D.	27.5 x 21.1 cm	Mount	C-Mount (Adjustable Lens Position)
Optical Back Focal Distance	14.32 mm (In Air)	Front Thread	43mm P0.75
Flange Back	17.526mm	Size	60(W) x 50.9(H) x 38.5(D) mm, Approx. 95g
Input Signal	Composite Video Signal or Video Signal		

DIMENSIONS

UNIT: mm



CIRCUIT DIAGRAM

