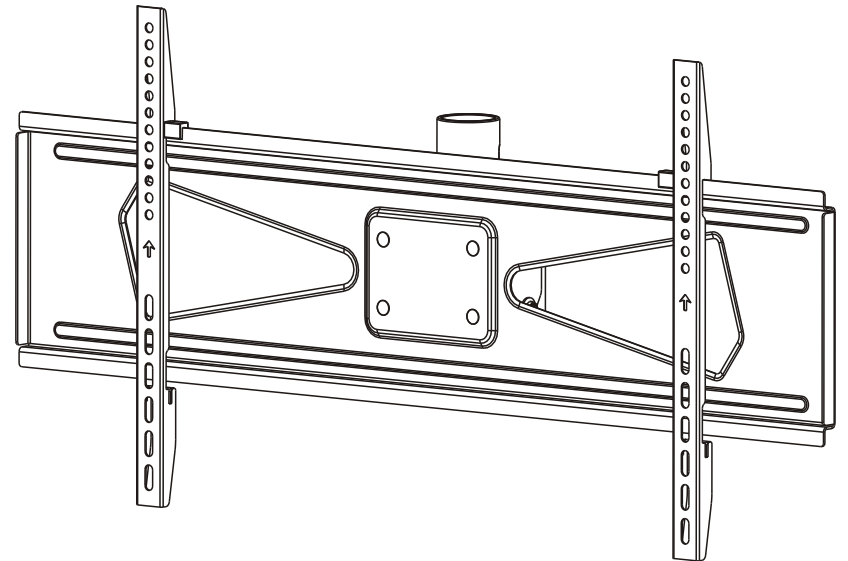


Flat Panel Ceiling Mount Accessory



200x200/300x300
400x200/400x400
600x400/800x400



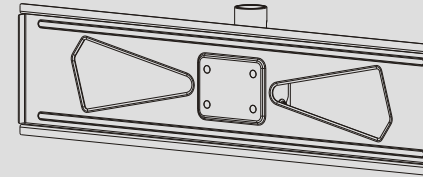
NOTE: Read the entire instruction manual before you start installation and assembly.

WARNING

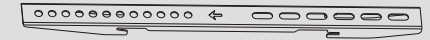
- Do not begin the installation until you have read and understood all the instructions and warnings contained in this installation sheet. If you have any questions regarding any of the instructions or warnings, please contact your local distributor.
- This mounting bracket was designed to be installed and utilised **ONLY** as specified in this manual. Improper installation of this product may cause damage or serious injury.
- Always use an assistant or mechanical lifting equipment to safely lift and position the equipment.
- Tighten screws firmly, but do not over tighten. Over tightening can cause damage to the items, This greatly reduces their holding power.
- This product is intended for indoor use only. Using this product outdoors could lead to product failure and personal injury.

Component Checklist

IMPORTANT: Ensure that you have received all parts according to the component checklist prior to installation. If any parts are missing or faulty, telephone your local distributor for a replacement.



universal plate (x1)
A



adapter bracket (x2)
B



antiskid block (x2)
C



set screw (x1)
D

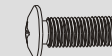


Allen key (x1)
E

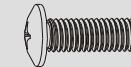
Package M



M5x14 (x4)
M-A



M6x14 (x4)
M-B



M8x20 (x4)
M-C



M6x30 (x4)
M-D



M8x30 (x4)
M-E



washer (x4)
M-F

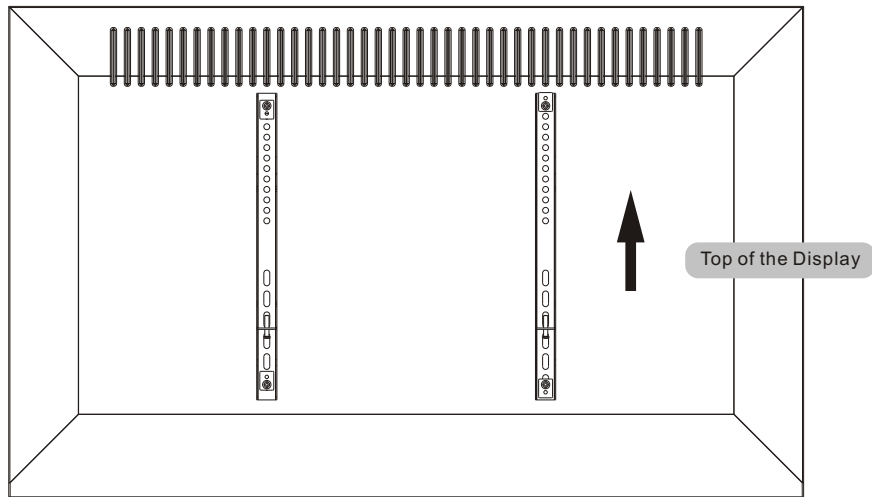


small spacer (x8)
M-G

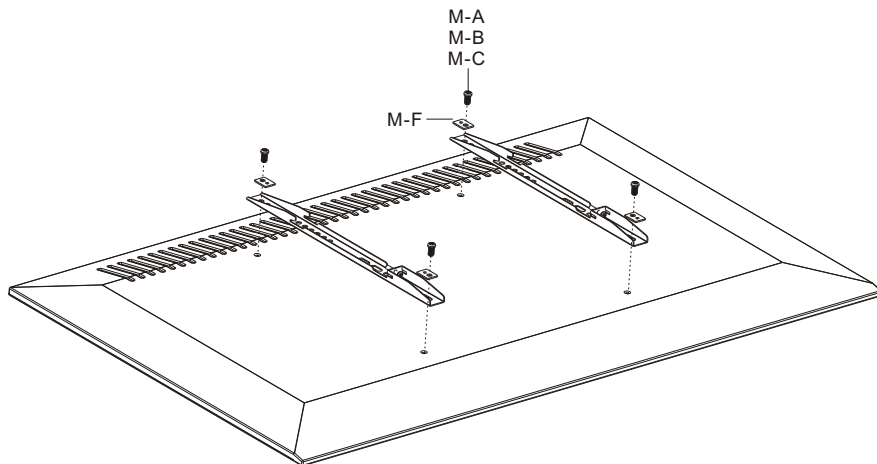


big spacer (x4)
M-H

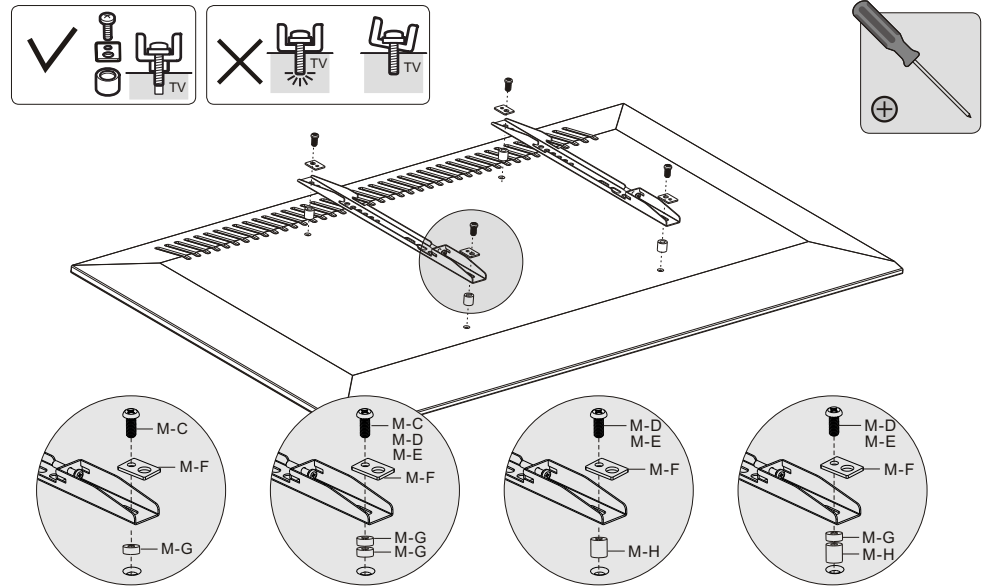
1. Installing the Adapter Brackets



1-1 For Flat Back Screens



1-2 For Recessed Back Screens or to Access A/V Inputs



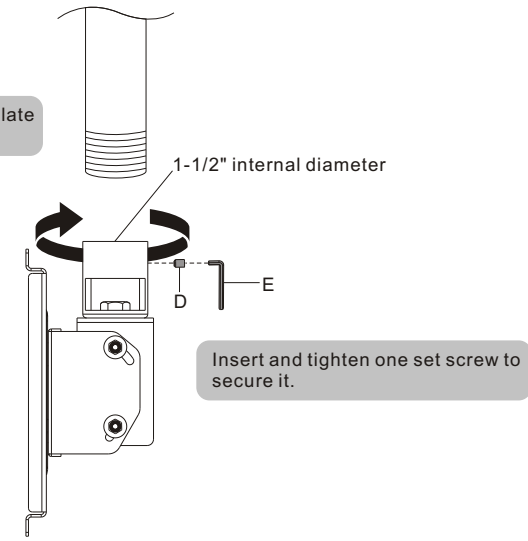
Note: Choose the appropriate screws, washers and spacers (if necessary) according to the type of screen.

- Position the adapter brackets as close as possible to the center of the display.
- Screw the adapter brackets onto the display.

⚠ Tighten all screws but do not over tighten.

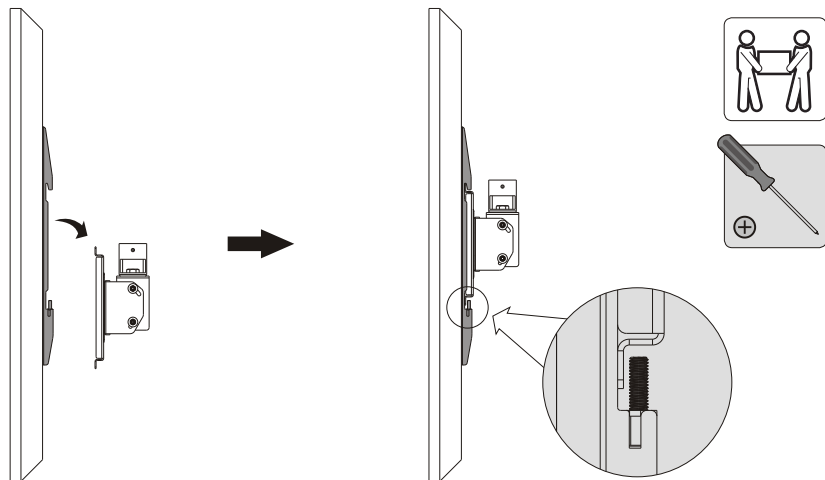
2. Attaching the Universal Plate to the Pipe

Thread and tighten the universal plate onto the pipe (not included).

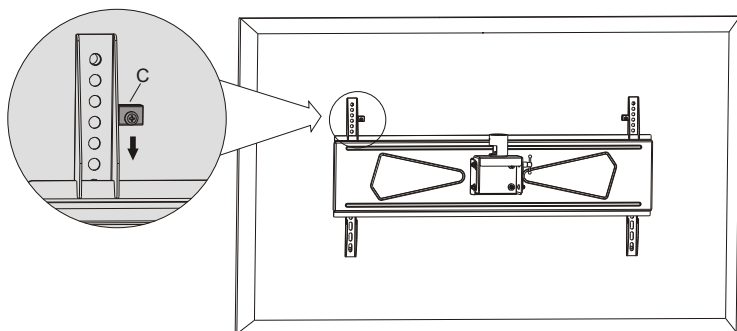


Insert and tighten one set screw to secure it.

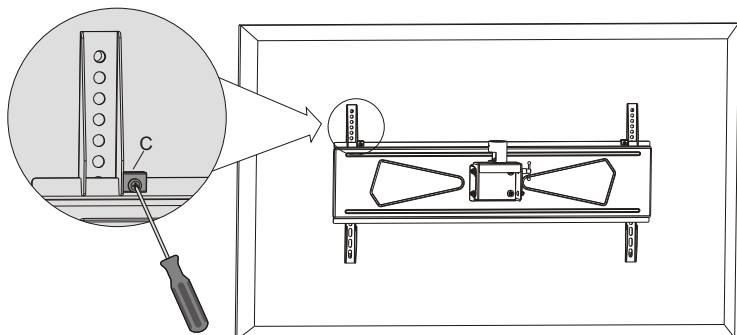
3. Hooking the Display onto the Wall Mount



Tighten the bottom bolts to secure the adapter brackets to the universal plate.

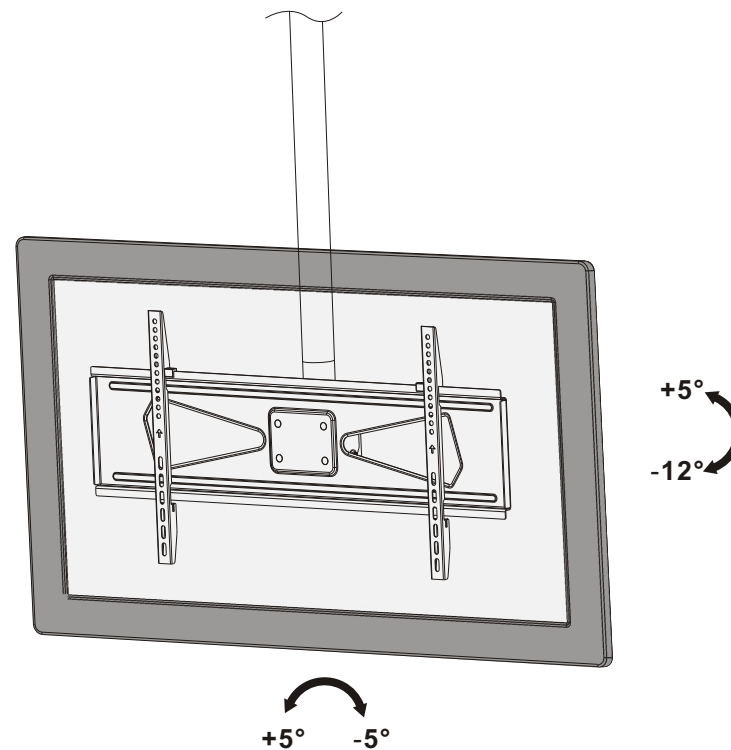


Install both antiskid blocks as close to the adapter brackets as possible.



Tighten all screws on the antiskid blocks using a proper screwdriver to prevent the display from moving.

4. Adjustment



Adjust the display to the desired angle.

Maintenance

- Check that the bracket is secure and safe to use at regular intervals(at least every three months).
- Please contact your distributor if you have any questions.