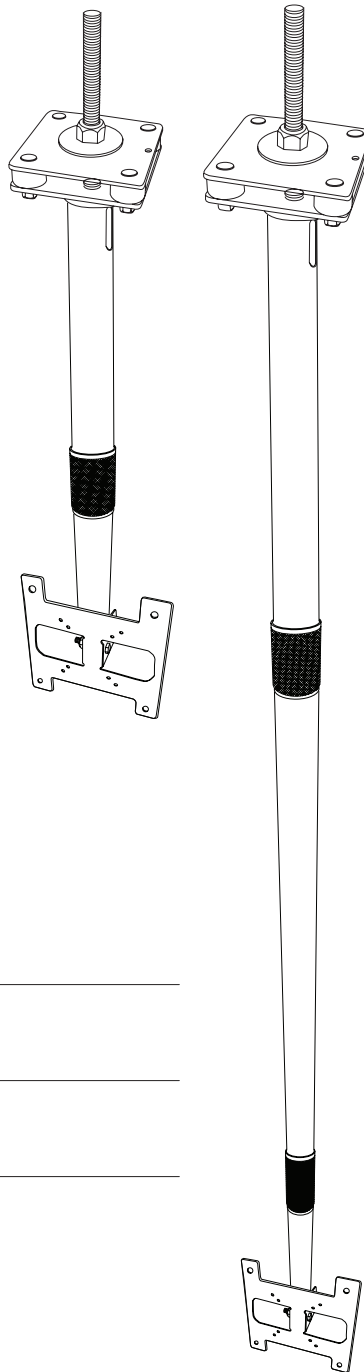


# VZ-CM

Telescopic Ceiling Mount with length, rotation and tilt adjust

---

## VZ-CM series INSTALLATION INSTRUCTIONS



VZ-CM06B

---

VZ-CM06W

---

VZ-CM18B

---

VZ-CM18W

## Contents














Weight Limit .....	2
Warning Statements .....	2
Ceiling Mount info.....	3
Assembly Component List .....	3
Features .....	5
Installing the Mount .....	6
Installing a Monitor to the Pole .....	6
Leveling the Pole .....	7
Adjusting the Height.....	7
Installing the Safety Cable .....	7
Warranty .....	8

## Weight Limit

Maximum Monitor Weight: **36.82 lbs**

THE CEILING STRUCTURE MUST BE CAPABLE OF SUPPORTING AT LEAST FIVE TIMES THE WEIGHT OF THE MONITOR. IF NOT, THE CEILING STRUCTURE MUST BE REINFORCED.

## Warning Statements

-  PRIOR TO THE INSTALLATION OF THIS PRODUCT, THE INSTALLATION INSTRUCTIONS MUST BE READ AND COMPLETELY UNDERSTOOD. KEEP THESE INSTALLATION INSTRUCTIONS IN AN EASILY ACCESSIBLE LOCATION FOR FUTURE REFERENCE.
  -  PROPER INSTALLATION PROCEDURE BY A QUALIFIED SERVICE TECHNICIAN MUST BE FOLLOWED, AS OUTLINED IN THESE INSTALLATION INSTRUCTIONS. FAILURE TO DO SO COULD RESULT IN PROPERTY DAMAGE, SERIOUS PERSONAL INJURY, OR EVEN DEATH.
  -  SAFETY MEASURES MUST BE PRACTICED AT ALL TIMES DURING THE ASSEMBLY OF THIS PRODUCT. USE PROPER SAFETY EQUIPMENT AND TOOLS FOR THE ASSEMBLY PROCEDURE TO PREVENT PERSONAL INJURY.
  -  ViewZ USA DOES NOT WARRANT AGAINST DAMAGE CAUSED BY THE USE OF ANY ViewZ USA PRODUCT FOR PURPOSES OTHER THAN THOSE FOR WHICH IT WAS DESIGNED OR DAMAGE CAUSED BY UNAUTHORIZED ATTACHMENTS OR MODIFICATIONS, AND IS NOT RESPONSIBLE FOR ANY DAMAGES, CLAIMS, DEMANDS, SUITS, ACTIONS OR CAUSES OF ACTION OF WHATEVER KIND RESULTING FROM, ARISING OUT OF OR IN ANY MANNER RELATING TO ANY SUCH USE, ATTACHMENTS OR MODIFICATIONS.
  -  CHANGES OR MODIFICATIONS NOT EXPRESSLY APPROVED BY THE PARTY RESPONSIBLE FOR COMPLIANCE COULD VOID THE USERS AUTHORITY TO OPERATE THE EQUIPMENT.
  -  At least two qualified people should perform the assembly procedure. Personal injury and/or property damage can result from dropping or mishandling the flat-panel.
  -  If mounting to wall studs or ceiling studs, make sure that the mounting screws are anchored into the center of the wall studs or ceiling studs. Use of an edge-to-edge stud finder is recommended.
  -  Using replacement parts or accessories other than from the manufacturer may void the warranty.
  -  Be aware of the mounting environment. If drilling and/or cutting into the mounting surface, always make sure that there are no electrical wires in wall. Cutting or drilling into an electrical line may cause serious personal injury.
  -  Make sure there are no water or natural gas lines inside the wall where the mount is to be located. Cutting or drilling into a water or gas line may cause severe property damage or personal injury.
  -  This product is intended for indoor use only. Use of this product outdoors could lead to product failure and/or serious personal injury.
  -  Do not install near sources of high heat. Do not install on a structure that is prone to vibration, movement or chance of impact.
-  Contact ViewZ with any questions:  
(888) 998-4399  
techsupport@viewzusa.com


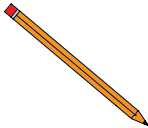
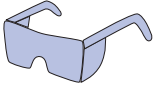





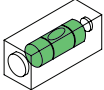

## Telescopic Monitor ceiling mount Info

This bracket is designed to mount a monitor from the ceiling structure. It can be used with the existing truss structure of the building or in conjunction with a channel strut. There are four lengths of brackets available.

- Part # CM06B Length of 3' to 6'
- Part # CM06W Length of 3' to 6'
- Part # CM18B Length of 6' to 18'
- Part # CM18W Length of 6' to 18'

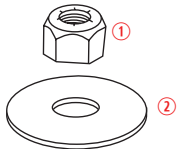
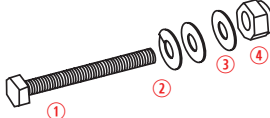
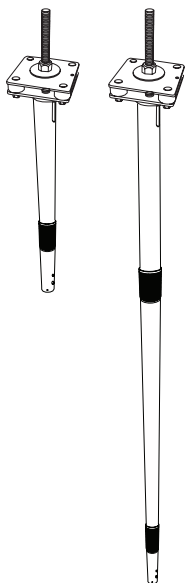

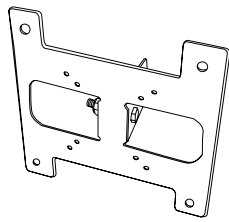
## Installation Tools

The following tools may be required depending on your installation.




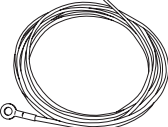
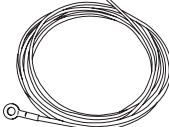



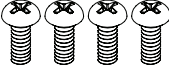

 Electronic Stud Finder	 Pencil	 Protective Eye-wear	 7/16" wrench	 7 mm wrench	 10 mm wrench
 3/4" wrench	 5/16" wrench	 Level	 Phillips Screwdriver		

## Assembly Components

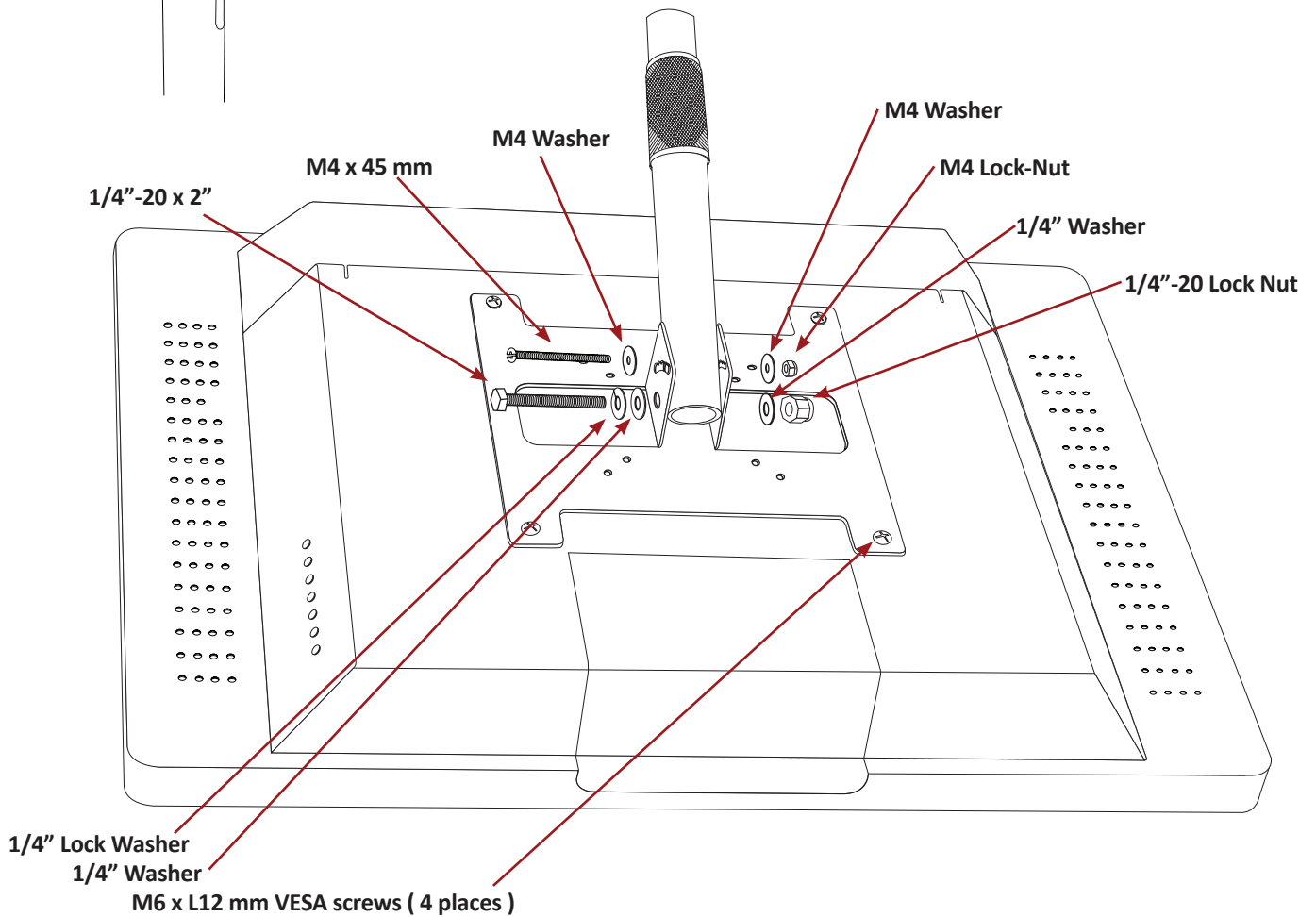
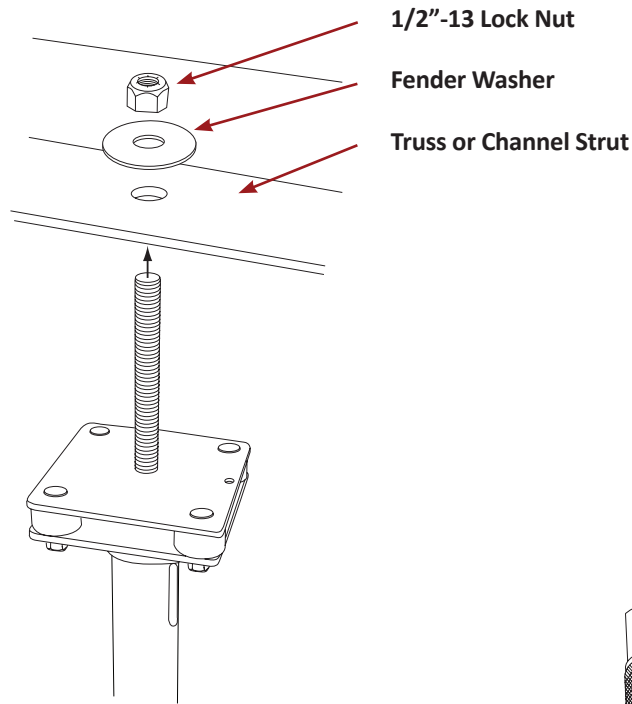
Your ViewZ mount product is shipped with all proper installation hardware and components. If there are parts missing and/or damaged, please stop the installation and contact ViewZ USA at (888)-998-4399.

 <ul style="list-style-type: none"> <li>① 1/2"-13 x L15 Lock-Nut (1 pc.)</li> <li>② <math>\phi</math> 50 x <math>\phi</math> 13.5 x T3.1 Washer(1 pc.)</li> </ul>	 <ul style="list-style-type: none"> <li>① 1/4W20 x L50.7 Screw (1 pc.)</li> <li>② <math>\phi</math> 12 x <math>\phi</math> 6.6 x T1 Washer(2 pcs.)</li> <li>③ <math>\phi</math> 12.2 x <math>\phi</math> 6.6 x T2 Washer(1 pc.)</li> <li>④ 1/4W20 x L7.7 Lock-Nut(1 pc.)</li> </ul>	 <p>Pole Mount Assembly 6ft (1pc.) / 18ft (1pc.)</p>
 <ul style="list-style-type: none"> <li>① M4 x 0.7 x L 45 screw (1 pc.)</li> <li>② M4 x 0.7 x L 4.9 Lock-Nut(1 pc.)</li> <li>③ <math>\phi</math> 12 x <math>\phi</math> 4.3 x T0.8 Washer(2 pcs.)</li> </ul>	 <ul style="list-style-type: none"> <li>① Bracket (1 pc.)</li> </ul>	

## Assembly Components (cont'd)

CM06B & CM06W	CM18B & CM18W
M4 x 0.7 x L10 mm Screw (Qty 1)	
M6 x 1.0 x L12 mm Screw (Qty 1)	
φ 10 x φ 4.3 x T1 Washers (Qty 2)	
φ 2.5 x φ 1.5 x L4752 mm U-bolt cable (Qty 1)	φ 2.4 x φ 1.6 x L7620 mm U-bolt cable (Qty 1)
	
1/8" U-bolt cable clamp (Qty 1)	
M4 x 0.7 x L6 mm Screws (Qty 4)	
φ 10 x φ 4.3 x T1 Washers (Qty 4)	
M6 x 1.0 x L12 mm Screws (Qty 4)	
φ 12 x φ 6.6 x T1 Washers (Qty 4)	

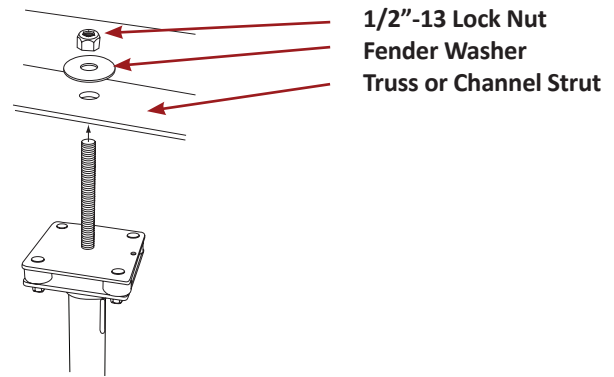
Features



## Installation

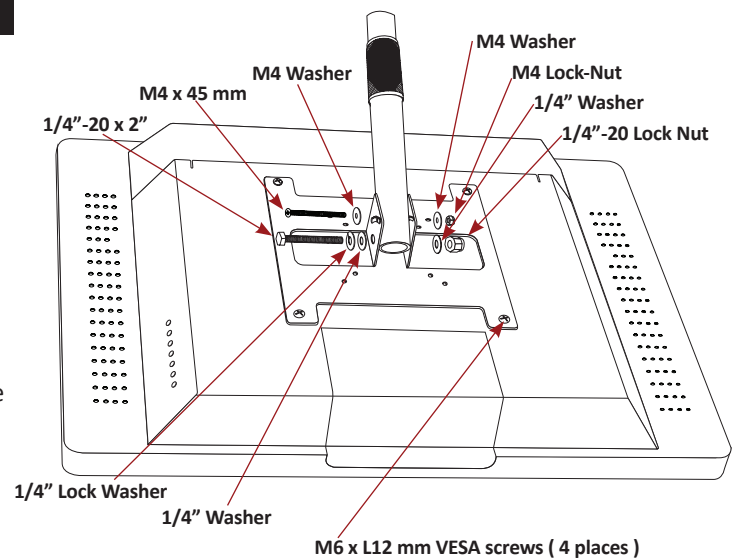
### Securing Mount to Building

- 1) Insert threaded rod between truss gap or into hole in channel strut.
- 2) Place 1/2" fender washer over the threaded rod and then 1/2" lock nut.
- 3) Tighten the 1/2"-13 lock nut using a 3/4" wrench.



### Mounting Monitor to Pole

1. If your monitor is supplied with a VESA plate already mounted on the back, simply ensure the four M4 screws are in place and tightened. If the mount is not already attached, connect it using the supplied M4 x 8mm VESA screws (4-places).  
**\*NOTE: Some installations may require running power and video cables prior to attaching the monitor bracket to the pole. If this is the case, do so before continuing to step 2.**
- 2) Hold the monitor with attached bracket up to the end of the pole mount, and line up the wings of the bracket to the holes in the end of the pole. Insert the 1/4"-20 x 2" bolt, lock washer, washers, and lock nut in place according to the illustration on the right. You will use 7/16" and 10mm wrenches to fully tighten in step 4.
- 3) Install the M4 x 45mm screw, washers, and lock nut into the upper slotted hole according to the illustration on the right. You will use a #2 Phillips screwdriver and a 7mm wrench to fully tighten in the next step.
- 4) Tighten the fasteners to secure the monitor at the desired angle.  
**\*NOTE: Avoid over-tightening which can cause the pole to indent.**



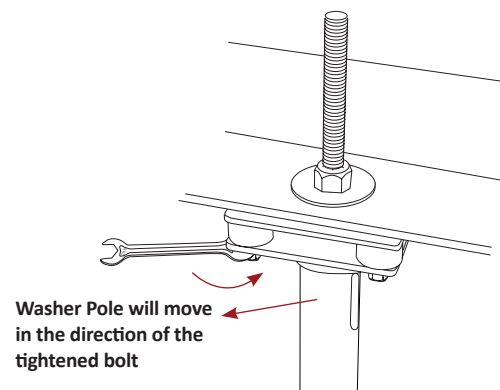
**Max Load:**  
**16.7 kg / 36.82 lbs**



This stand is intended for use only with the maximum weights indicated. Use with products heavier than the maximum weights indicated may result in instability causing possible injury. This product is intended to mount to a steel support truss, or channel strut.

### Leveling the Pole

- 1) You can ensure the pole is plumb by tightening the 1/4"-20 lock nuts on the top of the pole where it attaches to the structure using a 7/16" wrench.
- 2) Place a level on the pole and tighten the nuts that correspond to the direction that the pole needs to move (see illustration on the right).
- 3) Check and adjust 2 adjacent sides of the pole until it is plumb in each direction.

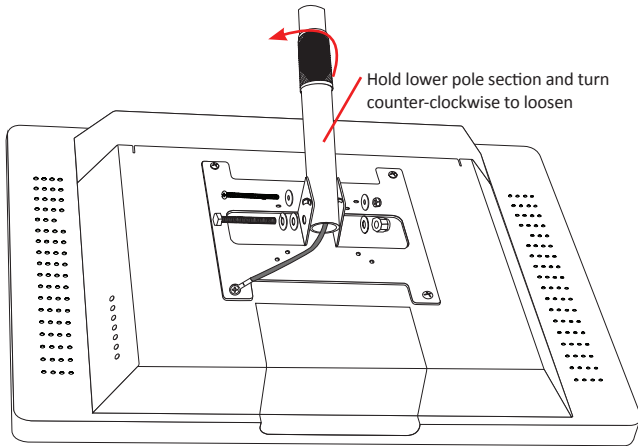


# Installation

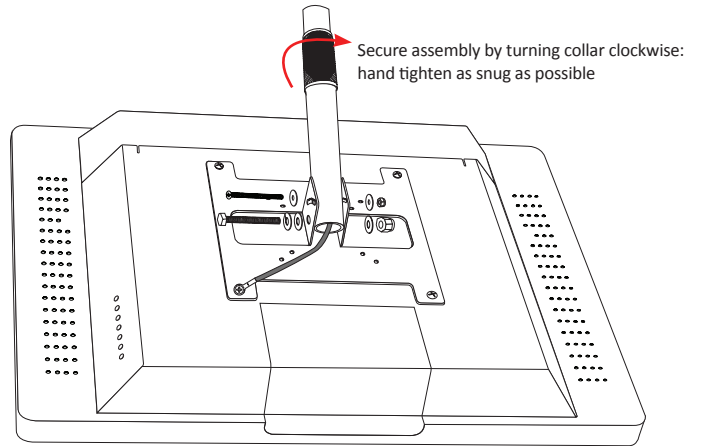
## Adjusting Height

- 1) Hold the lower pole (where it connects to the monitor) while loosening the center collar by turning it counter-clockwise (see illustration on left below). Extend the pole by gently lowering it to the desired length.
- 2) Once the proper length has been maintained, lock the pole in position by rotating the center collar clockwise. The collar should be hand tightened as snug as possible to prevent the pole from expanding. (see illustration on right below)

Loosen



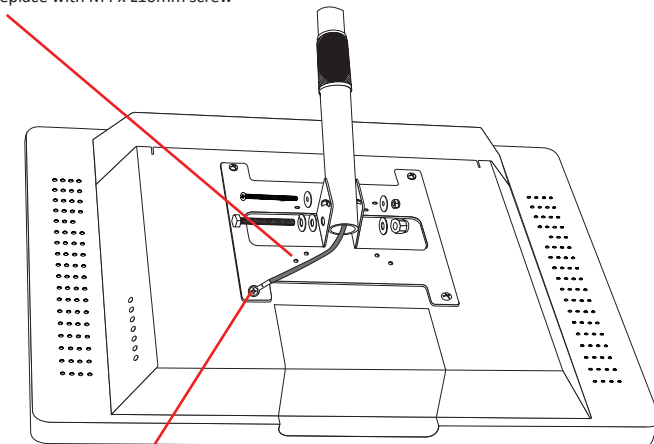
Tighten



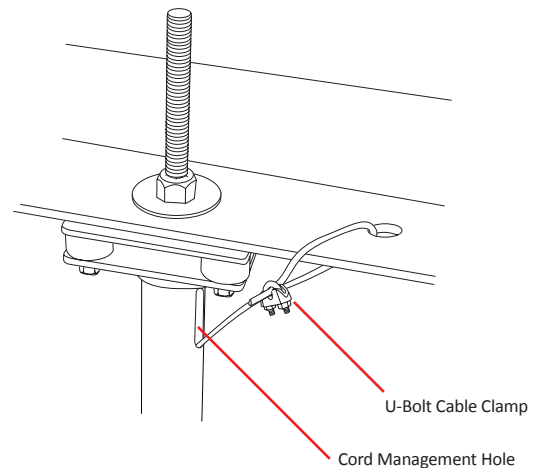
## Installing the Safety Cable

- 1) Run the safety cable into the cable management hole in the top of the pole, and out through the bottom of the pole. The crimped eyelet end will connect to the monitor.
- 2) VESA 100 x 100 - Remove one of the M4 x 6mm VESA mount screws from the monitor-bracket assembly, then connect the crimped eyelet end of the safety cable to the mount using the supplied M4 x 10mm screw. You can discard the unused M4 x 6mm VESA mount screw that has been removed as it is no longer needed.
- 3) VESA 200 x 200 - Use one of the M6 x 12 mm VESA mount screw to connect the crimped eyelet end of the safety cable to the mount.
- 4) Connect the top end of the safety cable by inserting it through a hole in the truss or channel strut, and fasten using the U-Bolt cable clamp. Pull any remaining slack from the safety cable, and fully tighten the U-Bolt using a 5/16" wrench. Cut or loop any excess cable.

VESA 100 x 100 - Remove original M4 x L6mm VESA screw & replace with M4 x L10mm screw



VESA 200 x 200 - Use M6 x L12mm VESA screw



## Warranty

### ViewZ USA LIMITED LIFETIME WARRANTY

#### What and Who is Covered by this Limited Warranty and for How Long

ViewZ USA warrants this product to be free from defects in material and workmanship for the lifetime of the original owner of this product. The limited warranty is valid only for the original purchaser of the product.

#### What ViewZ USA Will Do

At the sole option of ViewZ USA, ViewZ USA will repair or replace any product or product part that is defective. If ViewZ USA chooses to replace a defective product or part, a replacement product or part will be shipped to you at no charge, but you must pay any labor costs.

#### What is Not Covered; Limitations

ViewZ USA DISCLAIMS ANY LIABILITY FOR DAMAGE TO MOUNTS, ADAPTERS, DISPLAYS, PROJECTORS, OTHER PROPERTY, OR PERSONAL INJURY RESULTING, IN WHOLE OR IN PART, FROM IMPROPER INSTALLATION, MODIFICATION, USE OR MISUSE OF ITS PRODUCTS.

ViewZ USA DISCLAIMS ALL OTHER WARRANTIES, EXPRESS OR IMPLIED, INCLUDING WARRANTIES OF MERCHANTABILITY AND FITNESS FOR A PARTICULAR PURPOSE. ViewZ USA IS NOT RESPONSIBLE FOR INCIDENTAL OR CONSEQUENTIAL DAMAGES, INCLUDING BUT NOT LIMITED TO, INABILITY TO USE ITS PRODUCTS OR LABOR COSTS FOR REMOVING AND REPLACING DEFECTIVE PRODUCTS OR PARTS. SOME STATES DO NOT ALLOW THE EXCLUSION OR LIMITATION OF INCIDENTAL OR CONSEQUENTIAL DAMAGES, SO THE ABOVE LIMITATION OR EXCLUSION MAY NOT APPLY TO YOU.

#### What Customers Must Do for Limited Warranty Service

If you discover a problem that you think may be covered by the warranty you MUST REPORT it in writing to the address below within thirty (30) days. Proof of purchase (an original sales receipt) from the original consumer purchaser must accompany all warranty claims. Warranty claims must also include a description of the problem, the purchaser's name, address, and telephone number. General inquiries can be addressed to ViewZ USA Customer Service at 1-888-998-4399. Warranty claims will not be accepted over the phone or by fax.

ViewZ USA  
Attn: Warranty Claim  
177 W. Orangethorpe Ave.  
Placentia, CA 92870

#### How State Law Applies

THIS WARRANTY GIVES YOU SPECIFIC LEGAL RIGHTS, AND YOU MAY ALSO HAVE OTHER RIGHTS WHICH VARY FROM STATE TO STATE.

## Disclaimer

ViewZ USA intends to make this manual accurate and complete. However, ViewZ USA makes no claim that the information contained herein covers all details, conditions or variations, nor does it provide for every possible contingency in connection with the installation or use of this product. The information contained in this document is subject to change without notice or obligation of any kind. ViewZ USA makes no representation of warranty, expressed or implied, regarding the information contained herein. ViewZ USA assumes no responsibility for accuracy, completeness or sufficiency of the information contained in this document.

## Contact Us

#### NORTH AMERICA

177 W. Orangethorpe Ave.  
Placentia, CA 92870

USA and Canada

Phone: 1-888-998-4399

Fax: 1-714-996-1138

Other Locations

Phone: (001) 888-998-4399

Fax: (001) 714-996-1138

© ViewZ USA