

# XLR AT-120X-S

Extra Long Range Infrared



## EASY INTEGRATION and CONTROL

Seamless & precise integration via I/O ports.

Link multiple units together. Sync with camera or any other system device with input or output capability.

## AUTOMATIC ON/OFF

Automatic Night/Day OFF/ON switch via built-in photocell.

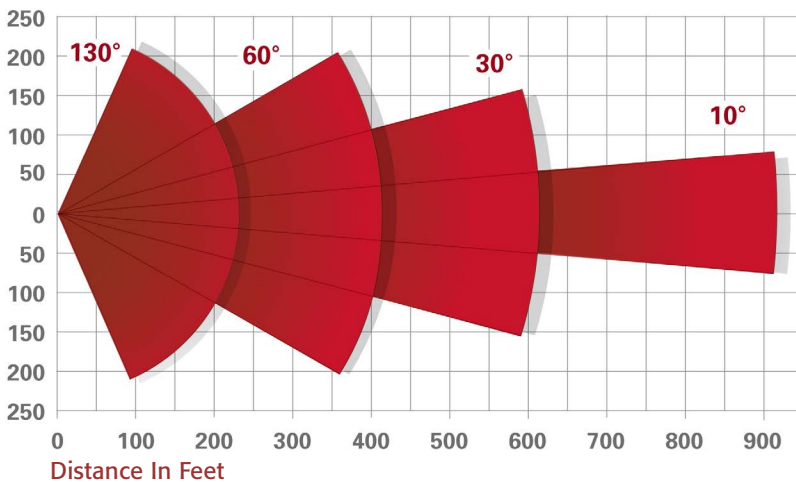
## SIMPLE INSTALLATION

Extended range (24-36) VDC or (24) VAC low-voltage input for simplified installation.

## LIFETIME WARRANTY - MADE IN THE USA

All products are covered by a lifetime warranty with advanced replacement. All illuminators are designed and manufactured in the USA.

## ILLUMINATION DISTANCE



### Angle: 130°

Range: 235'/70m  
HFOV: 420'/127m

### Angle: 60°

Range: 413'/125m  
HFOV: 374'/113m

### Angle: 30°

Range: 620'/188m  
HFOV: 320'/97m

### Angle: 10°

Range: 930'/280m  
HFOV: 194'/58m

## TIPS:

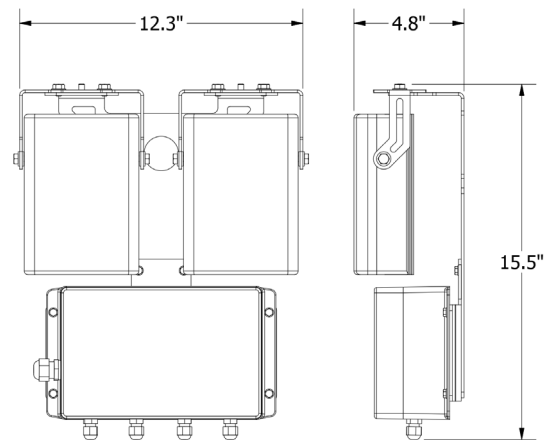
**HFOV - Horizontal Field Of View** - Coverage area in feet/meters or an angle. For optimal system performance HFOV should be matched to camera's field of view. The greater the coverage angle the less illumination distance.

**Use IR-Corrected Lens** - Non IR-Corrected lenses may produce blurry images due to focus shift caused by IR light, this requires refocusing.

**Consider using I/O ports to synch IR & Camera** - Input/Output ports allow to hard-wire IR & the camera for seamless switching from day to night modes. You may also daisy chain multiple IRs to switch ON/OFF synchronously.

## SPECIFICATIONS

Wavelength	850nm (semi-covert)
Input Voltage	24V DC
Power Consumption	120 W
Operating Temperature	-40°F...+122°F/-40°C...+52°C
Dimensions	11" x 7" x 3.9" / 280 x 178 x 99 mm
Weight	7 lb. / 3 kg.
Environmental	IP 67
Mounting	Double Pan/Tilt Bracket



801 West Robinson Drive, Suite 500, North Salt Lake, UT 84054

☎ 801/519-0500 📠 801/519-0501 ✉ sales@axtontech.com 🌐 www.axtontech.com

