

XLR AT-60X-S

Extra Long Range Infrared



EASY INTEGRATION and CONTROL

Seamless & precise integration via I/O ports.
Link multiple units together. Sync with camera or any other system device with input or output capability.

AUTOMATIC ON/OFF

Automatic Night/Day OFF/ON switch via built-in photocell.

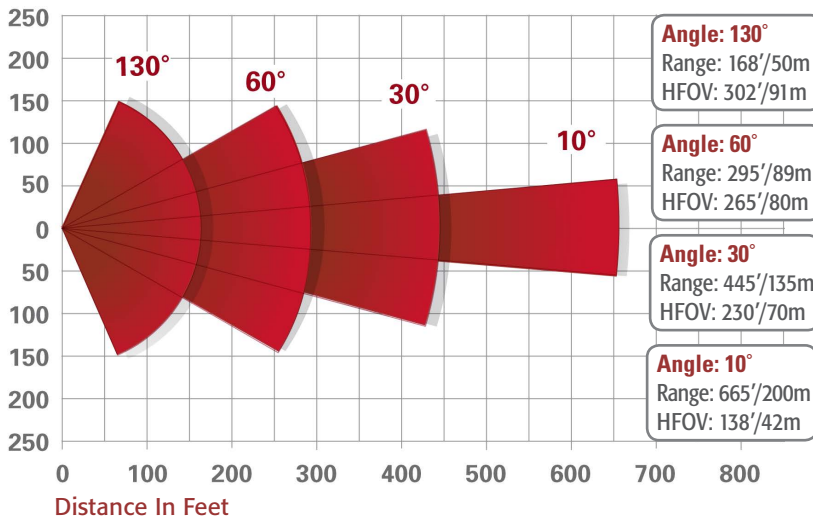
SIMPLE INSTALLATION

Extended range (24-36) VDC or (24) VAC low-voltage input for simplified installation.

LIFETIME WARRANTY - MADE IN THE USA

All products are covered by a lifetime warranty with advanced replacement. All illuminators are designed and manufactured in the USA.

ILLUMINATION DISTANCE



SPECIFICATIONS

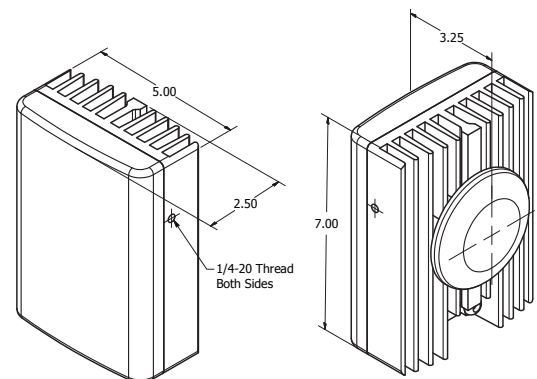
Wavelength	850nm (semi-covert)
Input Voltage	24V AC/ DC
Power Consumption	60 Watts
Operating Temperature	-40°F...+122°F/-40°C...+52°C
Dimensions	5" x 7" x 2.5" / 127 x 178 x 64 mm
Weight	3 lb/1.4 kg.
Environmental	IP 67
Mounting	Tilting U-bracket

TIPS:

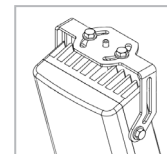
HFOV - Horizontal Field Of View - Coverage area in feet/meters or an angle. For optimal system performance HFOV should be matched to camera's field of view. The greater the coverage angle the less illumination distance.

Use IR-Corrected Lens - Non IR-Corrected lenses may produce blurry images due to focus shift caused by IR light, this requires refocusing.

Consider using I/O ports to sync IR & Camera - Input/Output ports allow to hard-wire IR & the camera for seamless switching from day to night modes. You may also daisy chain multiple IRs to switch ON/OFF synchronously.



TILTING
U-BRACKET
included*



*Free to swap with
Mobotix or L bracket



801 West Robinson Drive, Suite 500, North Salt Lake, UT 84054
☎ 801/519-0500 📠 801/519-0501 ✉ sales@axtontech.com 🌐 www.axtontech.com

