

# Installation and Assembly - Tray for Extension Columns

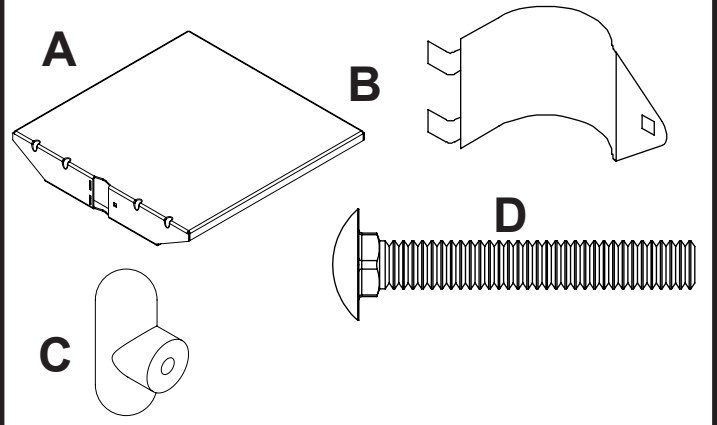
Model: ACC217

**IMPORTANT!** Read instruction sheet before you start installation and assembly.

*Before you start make sure all parts listed are included with your product.*

## Parts List

PART #	QTY.	DESCRIPTION
A 124-1692	1	tray
B 009-1020	1	tray clamp
C 590-1057	1	T-knob
D 520-1017	1	1/4" - 20 x 1 3/4" carriage bolt



*Some parts may appear slightly different than illustrated.*

- 1 While holding tray (A) to vertical arm, insert tray clamp (B) into slots on back of tray (A). Attach tray (A) to vertical arm using one carriage bolt (D) and T-knob (C) as shown. Be sure tray rests securely on vertical arm. Set desired height, then securely tighten T-knob (C).

