

PANA-C84103



Display size
84"-103"



Max load
500lb (227.3kg)

Flat Panel Floor Cart

FOR PANASONIC® 4K UHD LCD DISPLAY
MODELS TH-84LQ70U AND TH-98LQ70U

Engineered for large format Panasonic® displays, the PANA-C84103 Flat Panel Cart offers a robust and stylish design making it perfect for any type of application - from rental and staging, to broadcast studios. This flat panel cart's durable 5" swivel casters provide easy maneuverability over various flooring surfaces and doorways. Locking casters ensure complete stability wherever the cart is placed, while adjustable cable management channels and rear media storage shelf assures a clean and organized presentation.

This rugged cart from Peerless-AV® has been engineered to match the durability of today's large format display from Panasonic®.

Additional Features

- ✓ Cable management through rear adjustable cable centralizing brackets
- ✓ Designed for quick set-up and tear down
- ✓ Aluminum frame reduces the overall weight and shipping costs



RoHS

info@peerless-av.com
peerless-av.com

peerless-AV®

PANA-C84103 Flat Panel Floor Cart for Panasonic® 4K UHD LCD Display Models TH-84LQ70U and TH-98LQ70U

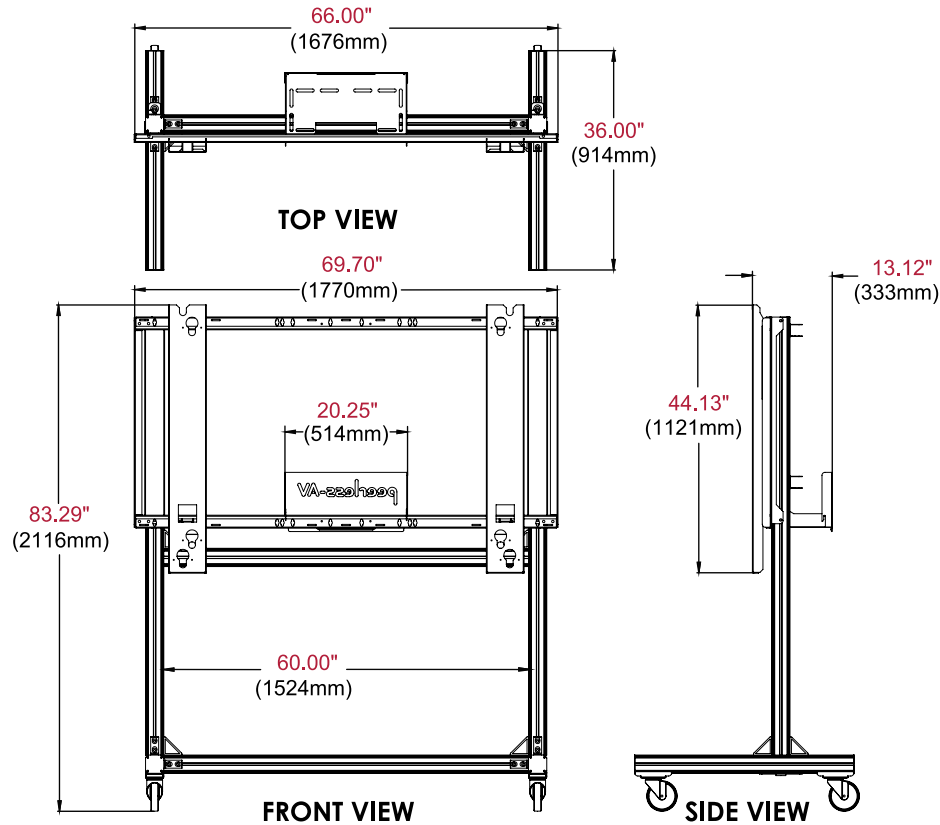
Product Specifications

| | DIMENSIONS (W x H x D) | PRODUCT WEIGHT | LOAD CAPACITY | FINISH | AVAILABLE COLORS |
|--------------------|---|----------------|-----------------|-------------|------------------|
| PANA-C84103 | 66.00" x 83.29" x 36.00" (1676 x 2116 x 914mm) | 150lb (68kg) | 500lb (227.3kg) | Powder Coat | Black |

Package Specifications

| | PACKAGE SIZE (W x H x D) | PACKAGE SHIP WEIGHT | PACKAGE UPC CODE | PACKAGE CONTENTS | UNITS IN PACKAGE |
|--------------------|--|---------------------|------------------|-----------------------------------|------------------|
| PANA-C84103 | 77.00" x 39.00" x 13.00" (1212 x 268 x 978mm) | 205lb (93kg) | 735029309215 | Cart, shelf and mounting hardware | 1 |

All dimensions = inch (mm)



Architect Specifications

The Flat Panel Floor Cart for Panasonic® 4K UHD LCD Display shall be a Peerless-AV model PANA-C84103 and shall be located where indicated on the plans. Assembly and installation shall be done according to instructions provided by the manufacturer.

Visit peerless-av.com to see the complete line of AV solutions from Peerless-AV, including outdoor displays, wireless, kiosks, digital audio, display mounts, projector mounts, carts/stands, and a full assortment of accessories.

Peerless-AV
2300 White Oak Circle
Aurora, IL 60502 USA
(800) 865-2112
(630) 375-5100
Fax: (800) 359-6500

Peerless-AV Europe
Unit 3 Watford Interchange
Colonial Way, Watford
Herts, WD24 4WP
United Kingdom
+44 (0) 1923 200100
Fax: +44 (0) 1923 200101

Peerless-AV de México
Ave de las Industrias 413
Parque Industrial Escobedo
Escobedo, N.L.,
Mexico 66050
+52 (81) 8384-8300
Fax: +52 (81) 8384-8360

