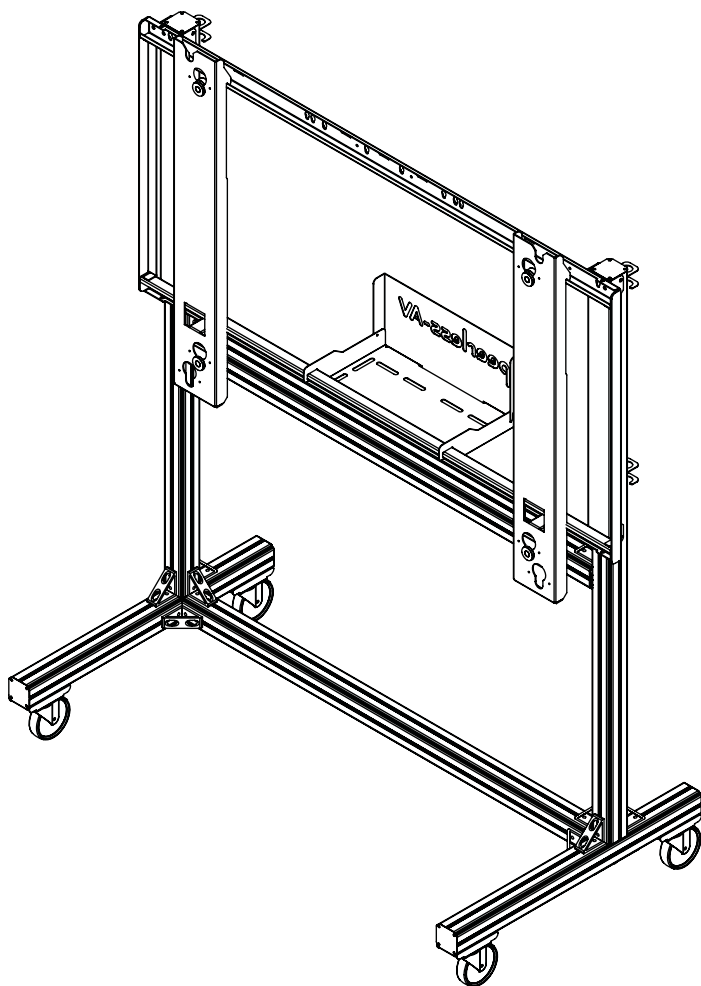
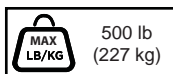


peerless-AV[®]

PANA-C84103



⚠ WARNING

Do not begin to install product until you have read and understood the instructions and warnings contained in this user guide. Always use an assistant or mechanical lifting equipment to safely lift and position equipment. This product must be installed onto flat, hard, level surface to prevent tipping. The cart or stand is not affixed or secured to the floor, and may therefore tip over and/or fall if screen and/or stand is shaken or hit. Displays must be removed before moving cart. Not recommended for use in areas with heavy traffic. This product is intended for indoor use only. Use of this product outdoors could lead to product failure or personal injury. Screws must be tightly secured. Do not overtighten screws or damage can occur and product may fail. Never exceed the Maximum Load Capacity. Be careful not to pinch fingers when operating the mount. For support please call customer care at 1-800-865-2112.

ENG Symbols



ENG WARNING



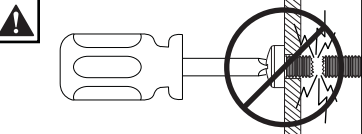
Heavy



ENG Screws must get at least three full turns and fit snug.

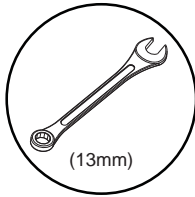
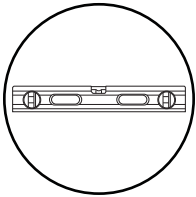


ENG Display center.



ENG Do not overtighten screws.

ENG Tools Needed for Assembly.

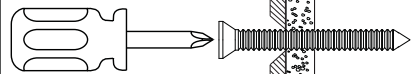


(13mm)

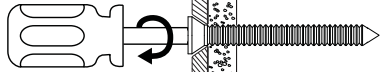


To properly tighten screws: Tighten until screw head makes contact, then tighten another 1/2 turn. Do not overtighten screws.

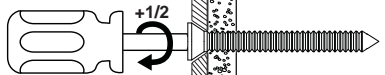
1



2



3



4

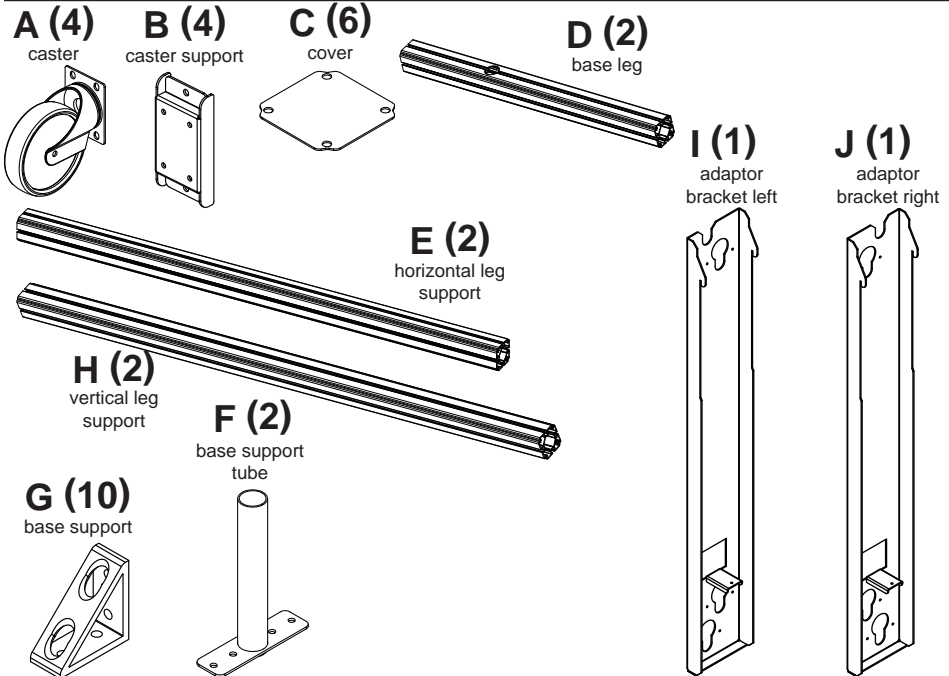


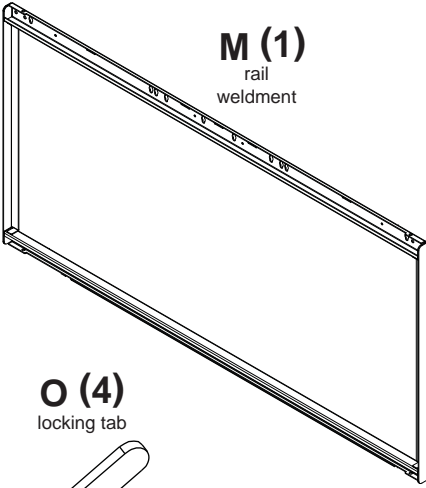
ENG This page was intentionally left blank

Parts (Before beginning, make sure you have all parts shown below).

Parts List

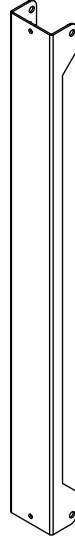
| | Description | Qty | Part # |
|----|------------------------------------|-----|-----------|
| A | caster, 5" swivel | 4 | 600-0026 |
| B | caster support | 4 | 145-T1799 |
| C | cover | 6 | 145-T1809 |
| D | base leg | 2 | 145-T1767 |
| E | horizontal leg support | 2 | 145-T1785 |
| F | base support tube | 2 | 145-T1812 |
| G | base support | 10 | 560-T1261 |
| H | vertical leg support | 2 | 145-T1777 |
| I | adaptor bracket left | 1 | 146-T1298 |
| J | adaptor bracket right | 1 | 146-T1299 |
| K | computer cover | 1 | 145-T1930 |
| L | computer shelf | 1 | 145-T1931 |
| M | rail weldment | 1 | 146-T1295 |
| N | cord bracket | 4 | 146-T1321 |
| O | locking tab | 4 | 145-T1936 |
| P | M8 x 16mm socket button screw | 84 | 520-9527 |
| Q | M8 square nut | 64 | 530-1066 |
| R | cover clip | 24 | 590-0317 |
| S | M5 x 10mm type-f, socket pin screw | 6 | 520-1164 |
| T | M5 x 12mm socket pin screw | 4 | 520-1064 |
| U | 1/4" power bit | 1 | 560-0263 |
| V | 5mm allen wrench | 1 | 560-9640 |
| W | lock tab | 2 | 201-T1204 |
| X | vertical support bracket | 2 | 146-T1296 |
| Y | 4mm allen wrench | 1 | 560-9646 |
| Z | clip hook bracket | 2 | 146-T1320 |
| AA | M5 x 30mm socket pin screw | 2 | 520-1112 |
| BB | cable tie | 8 | 560-9711 |



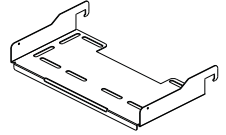


M (1)
rail
weldment

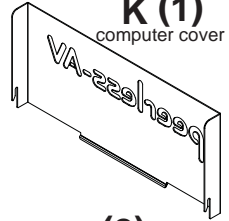
X (2)
vertical support
bracket



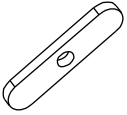
L (1)
computer shelf



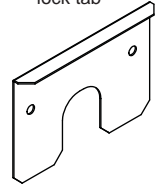
K (1)
computer cover



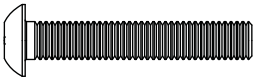
O (4)
locking tab



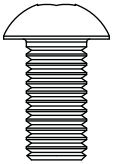
W (2)
lock tab



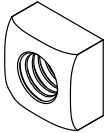
AA (2)
M5 x 30mm



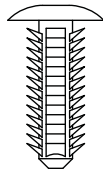
P (84)
M8 x 16mm



Q (64)
M8 square nut



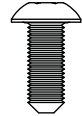
R (24)
cover clip



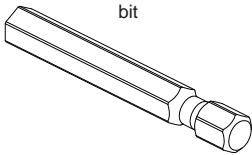
S (6)
M5 x 10mm



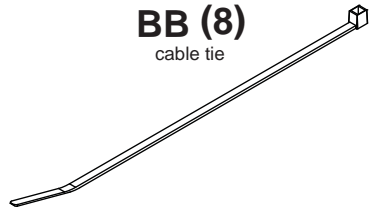
T (4)
M5 x 12mm



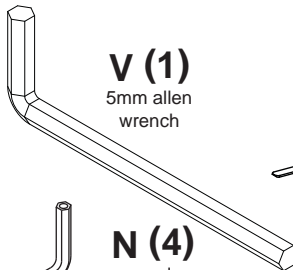
U (1)
1/4" power
bit



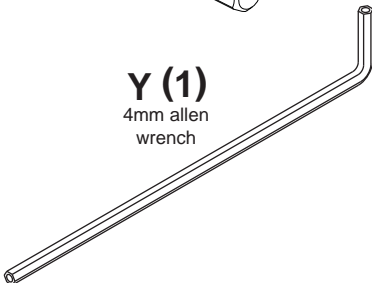
BB (8)
cable tie



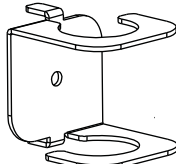
V (1)
5mm allen
wrench



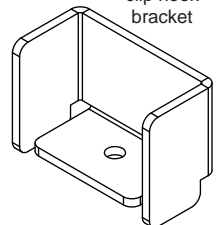
Y (1)
4mm allen
wrench



N (4)
cord
bracket

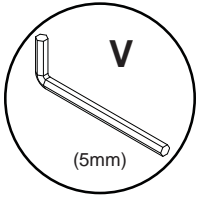


Z (2)
clip hook
bracket

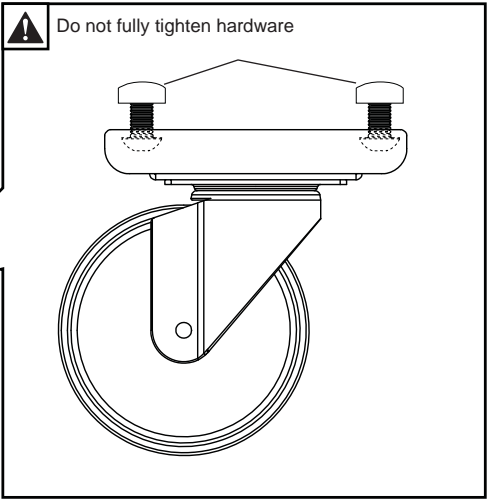
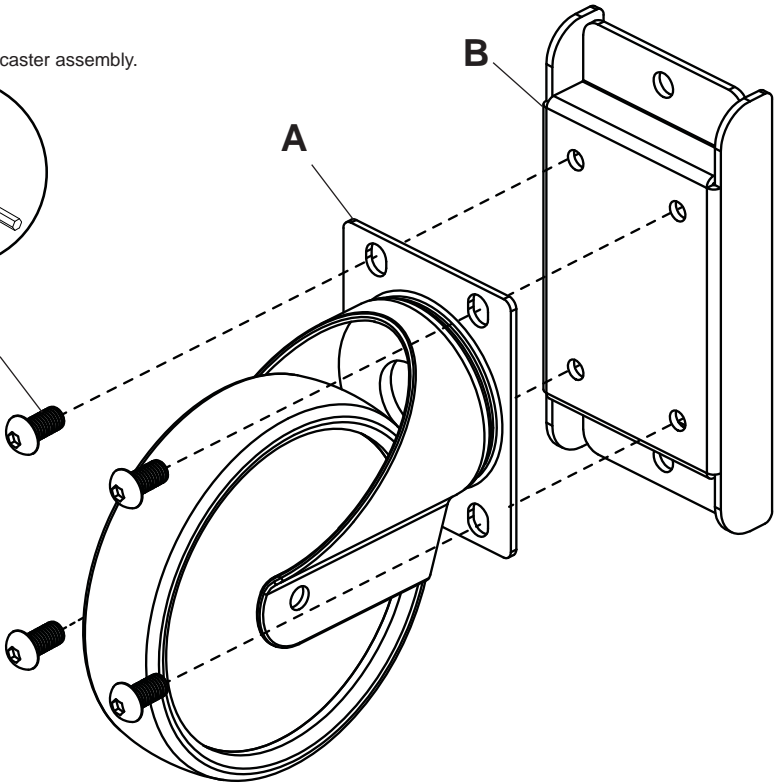


1

Repeat for each caster assembly.

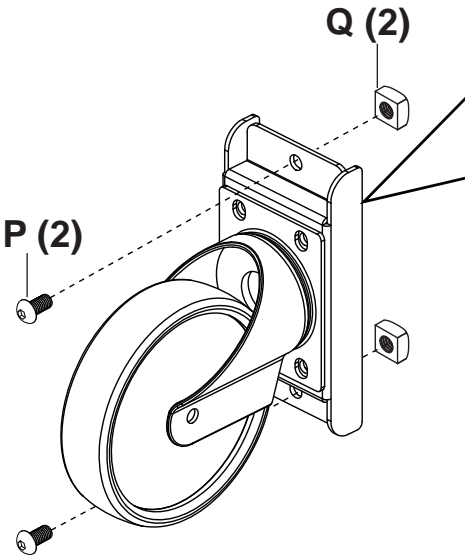


P (4)

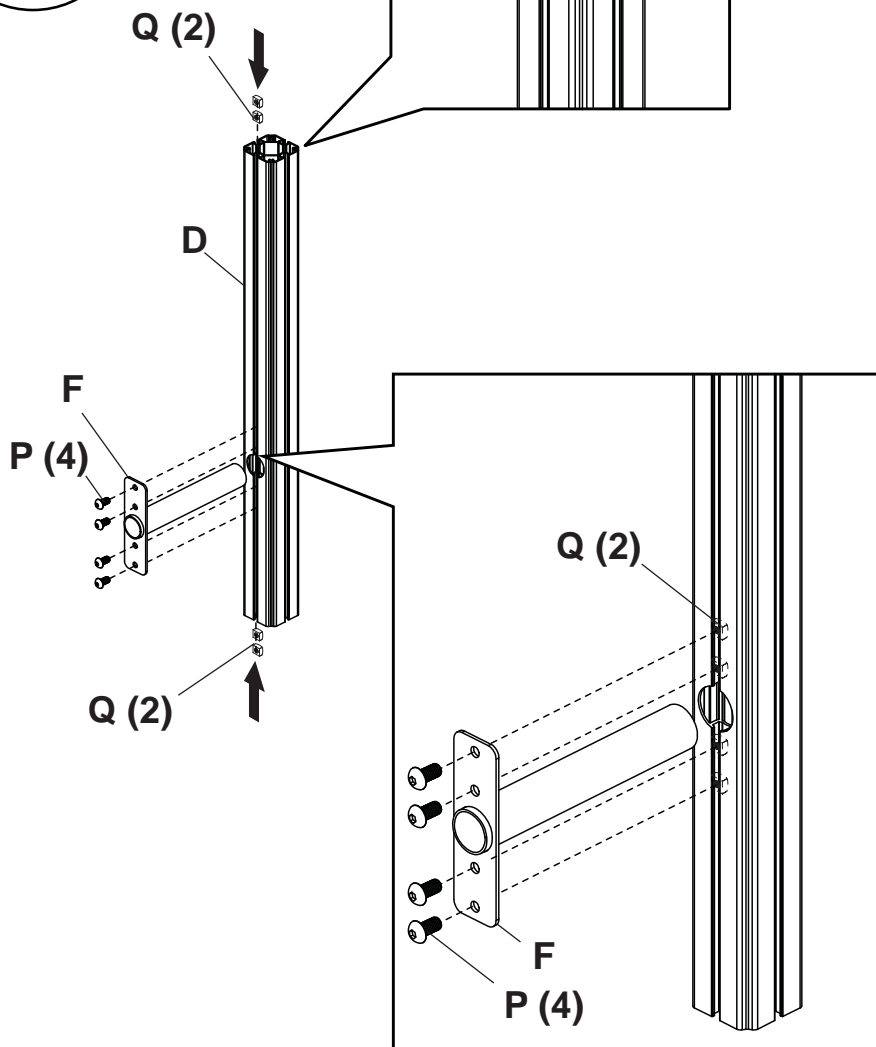
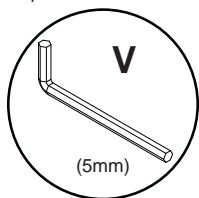


Q (2)

P (2)

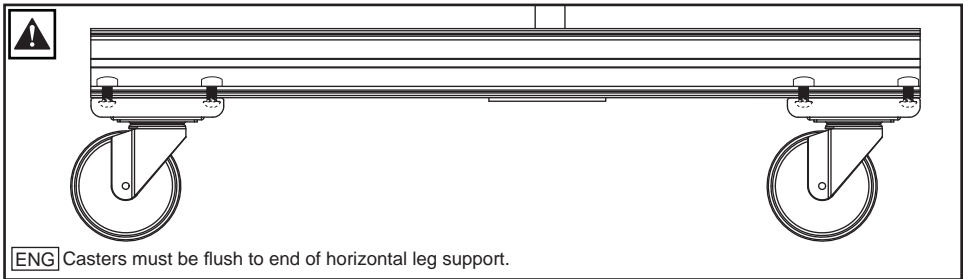
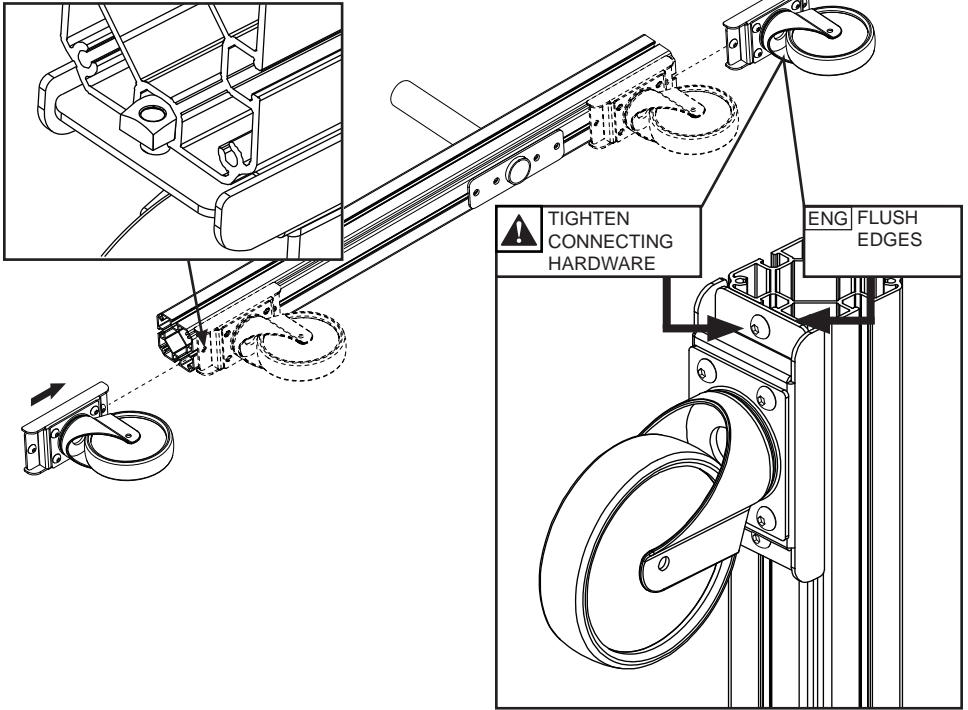


Repeat for each base leg assembly.



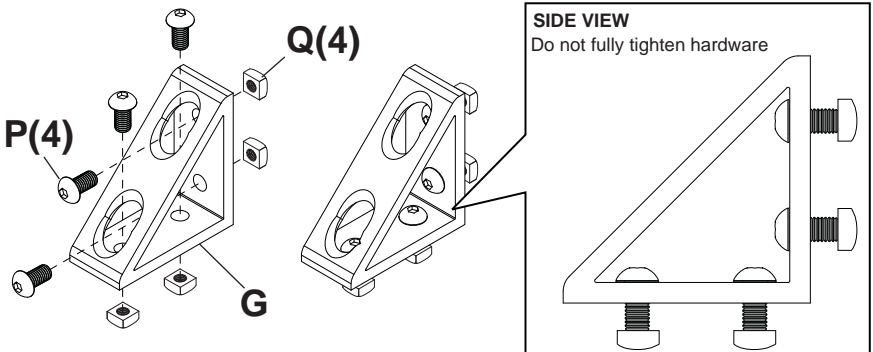
3

Repeat for each base leg assembly.



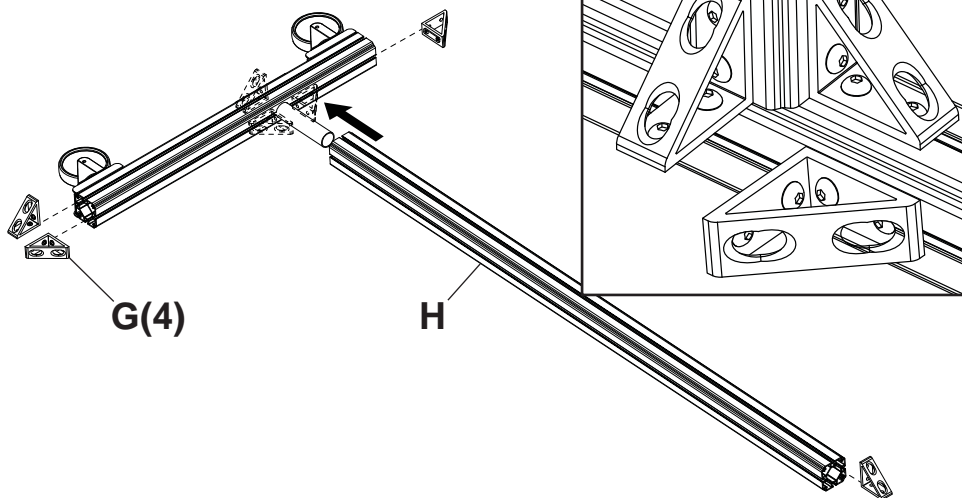
4

Repeat for each base support (x10).

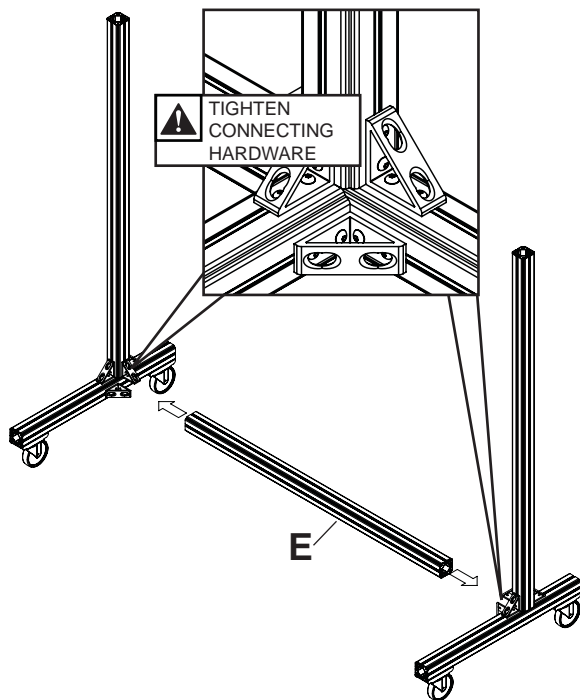
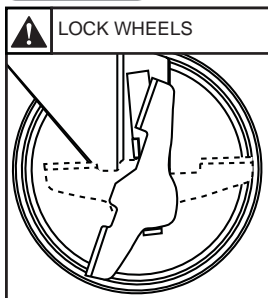


5

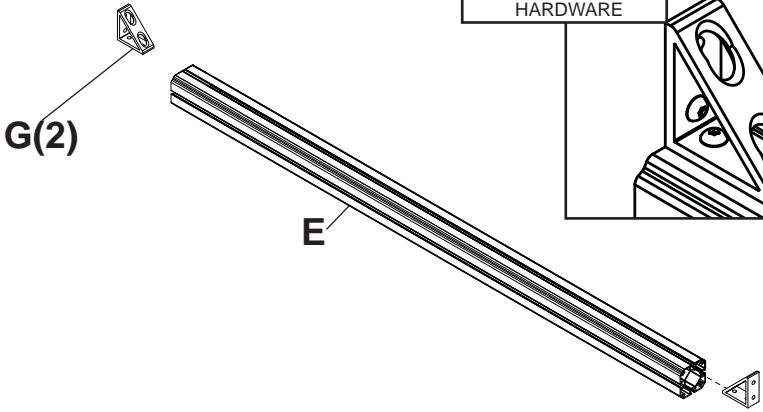
Repeat for each side (x2).



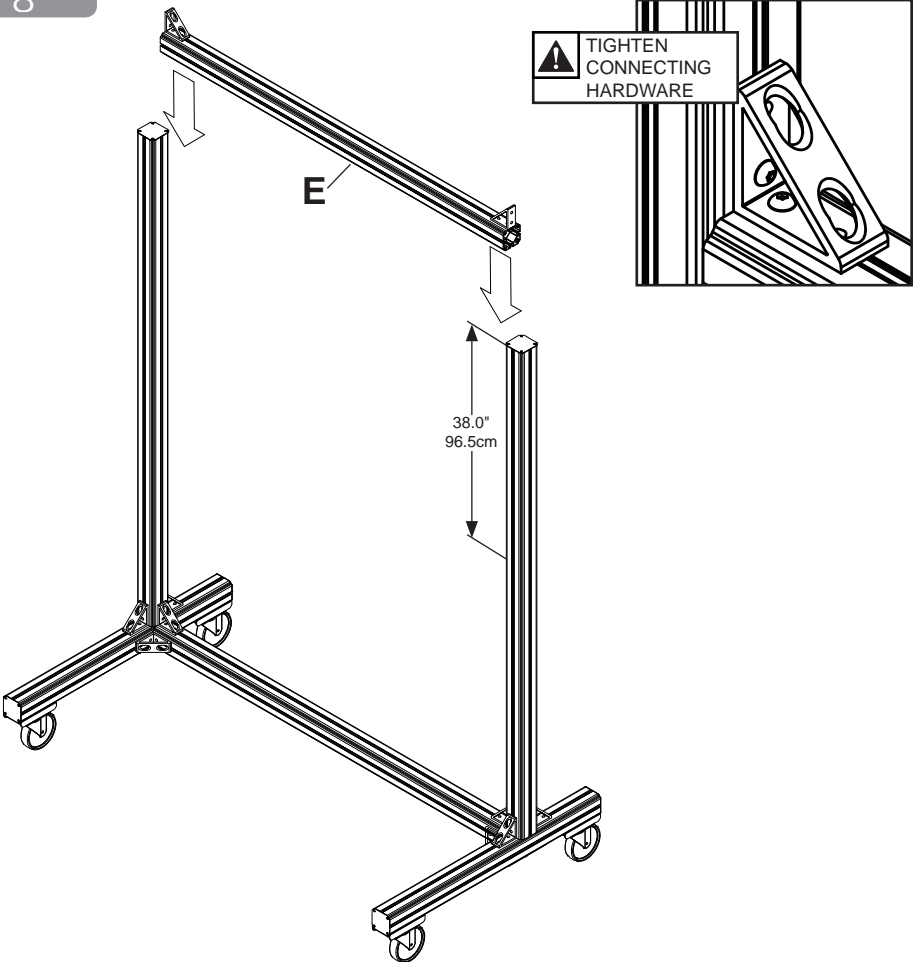
6



7

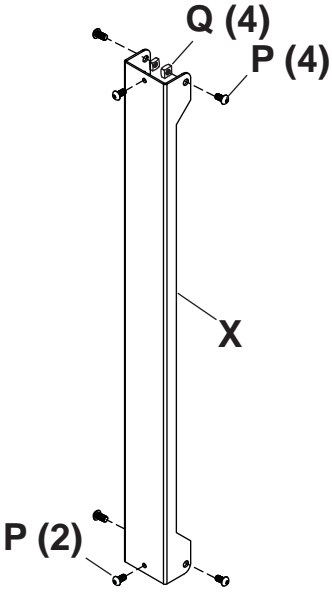


8



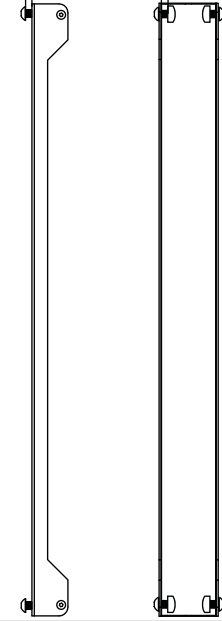
9

Repeat for each vertical support bracket (x4).



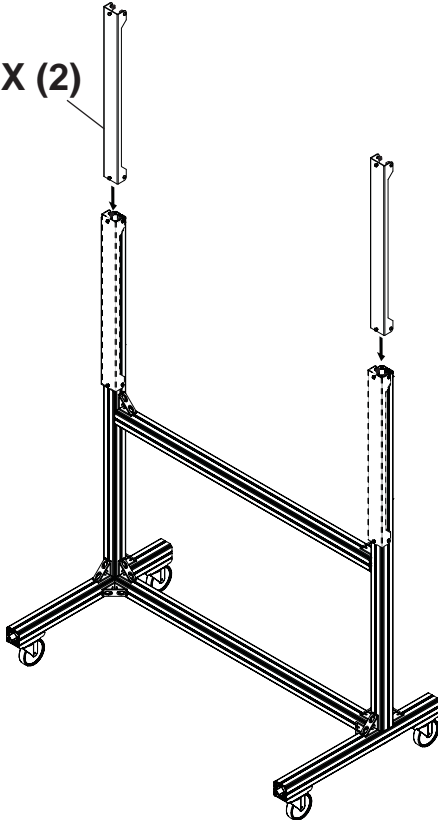
1/8"
(3mm)

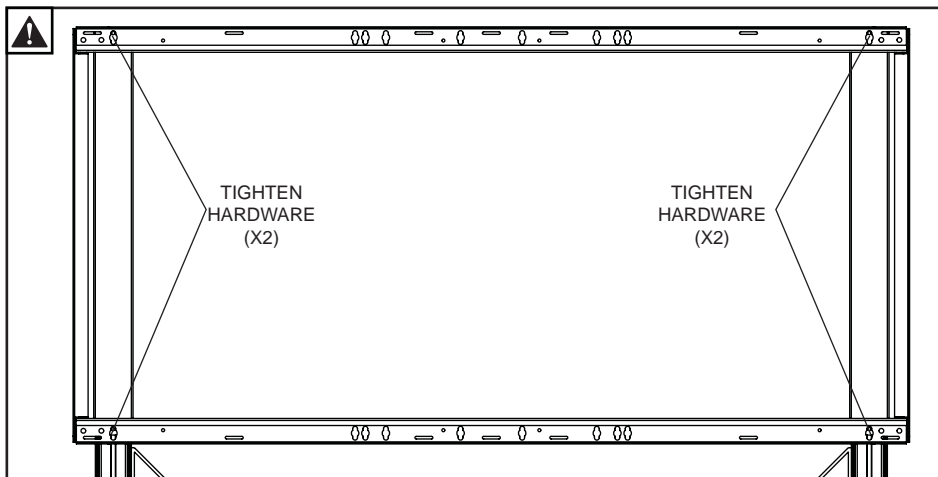
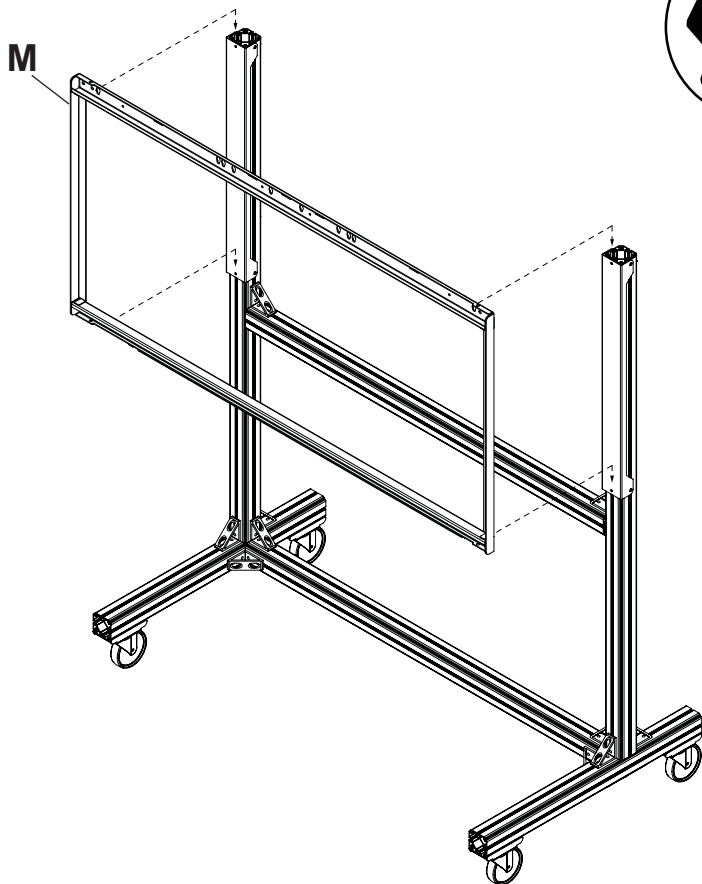
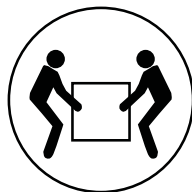
1/8"
(3mm)



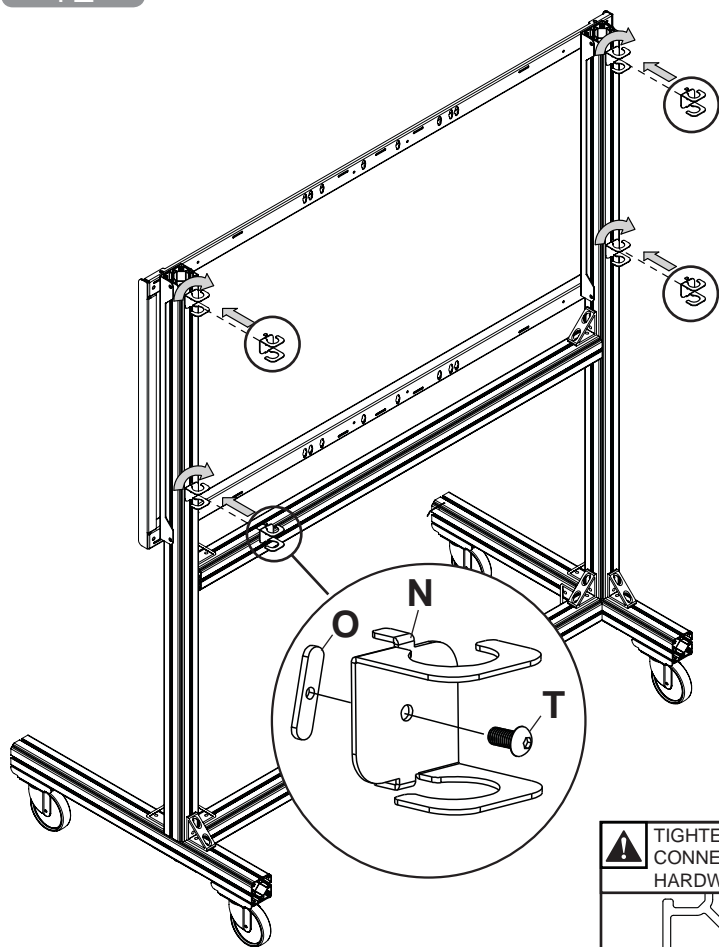
10

X (2)

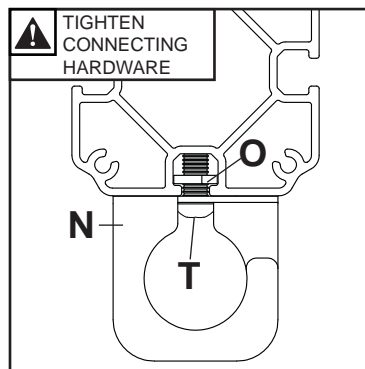
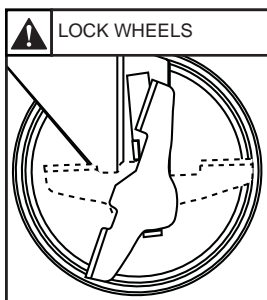




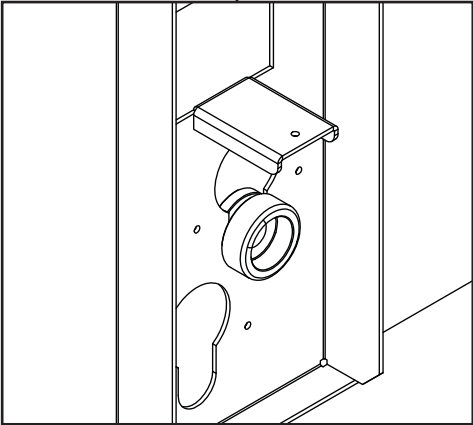
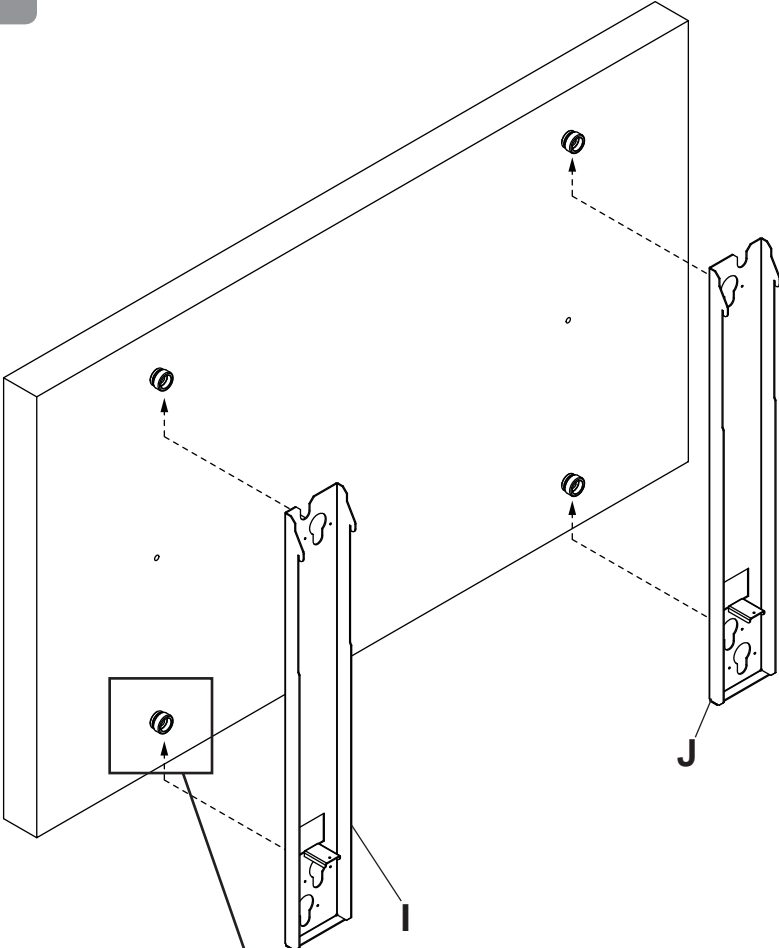
Cross support must center on vertical leg supports.

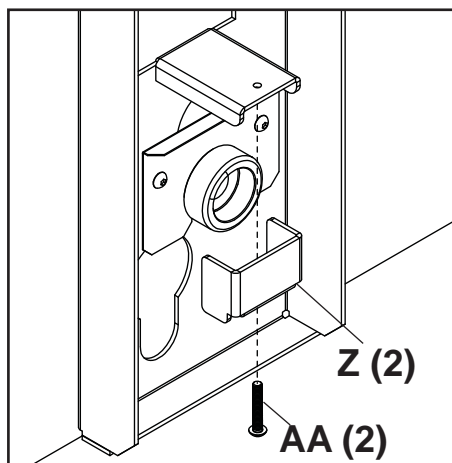
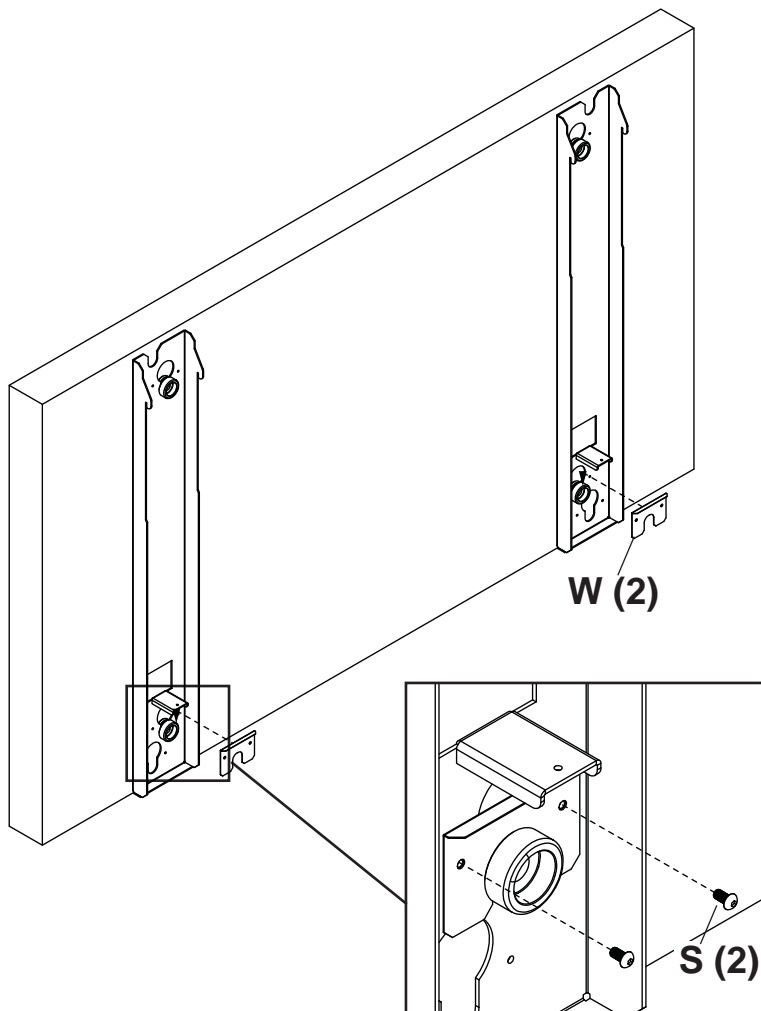


OPTIONAL: Unlock wheels to move cart to desired location; Lock wheels before hanging screens.

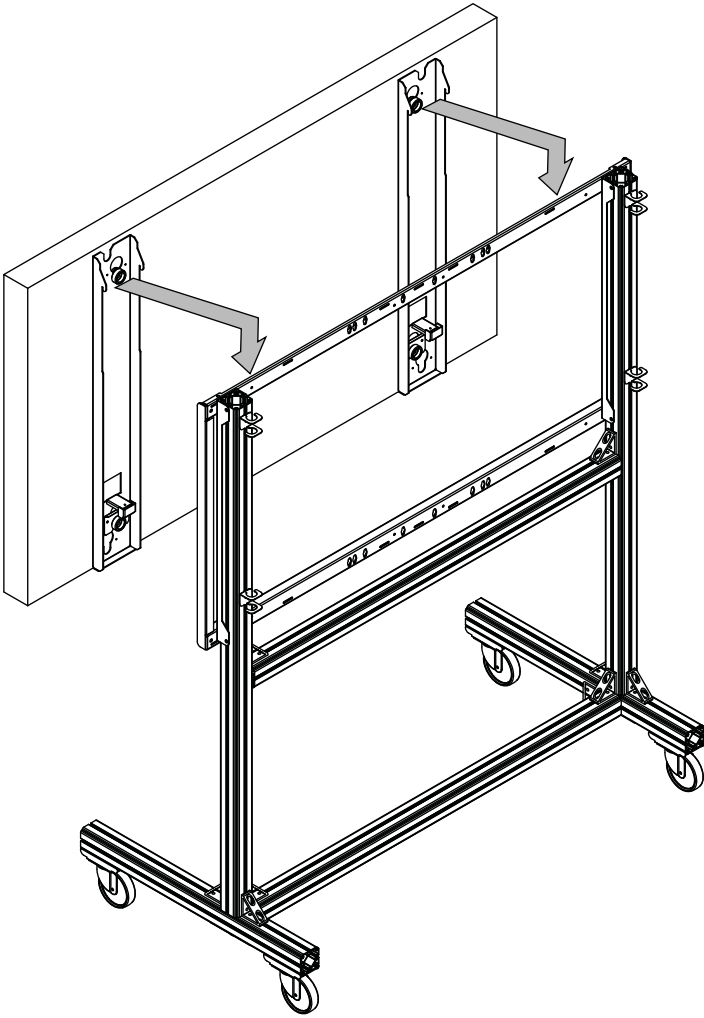
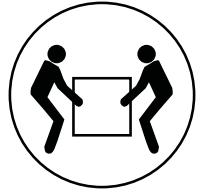


TOP VIEW





15-1

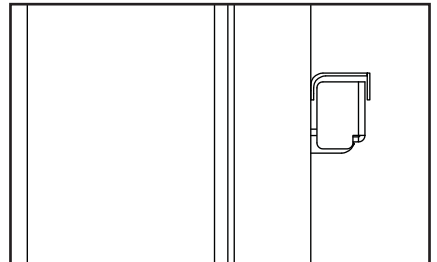
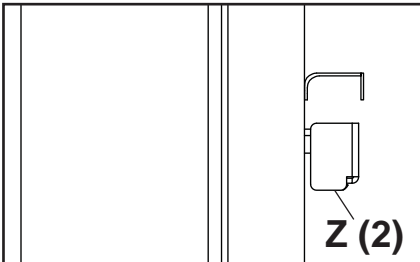


15-2

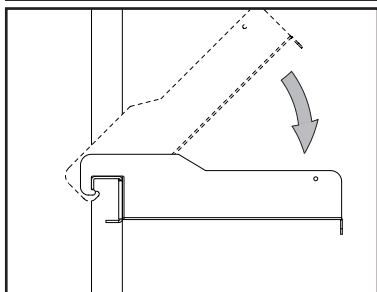
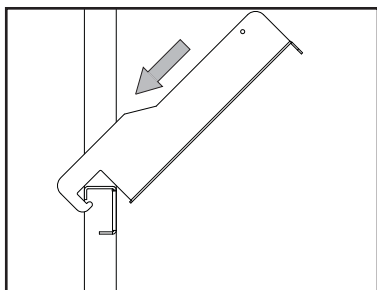
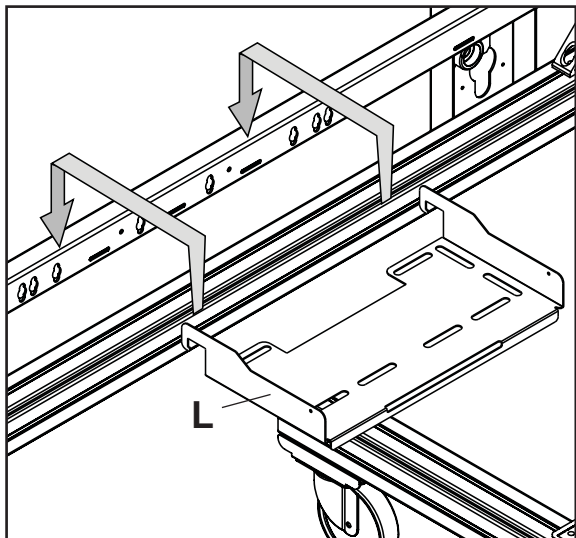
Secure screw in "locked" position.

Unlocked

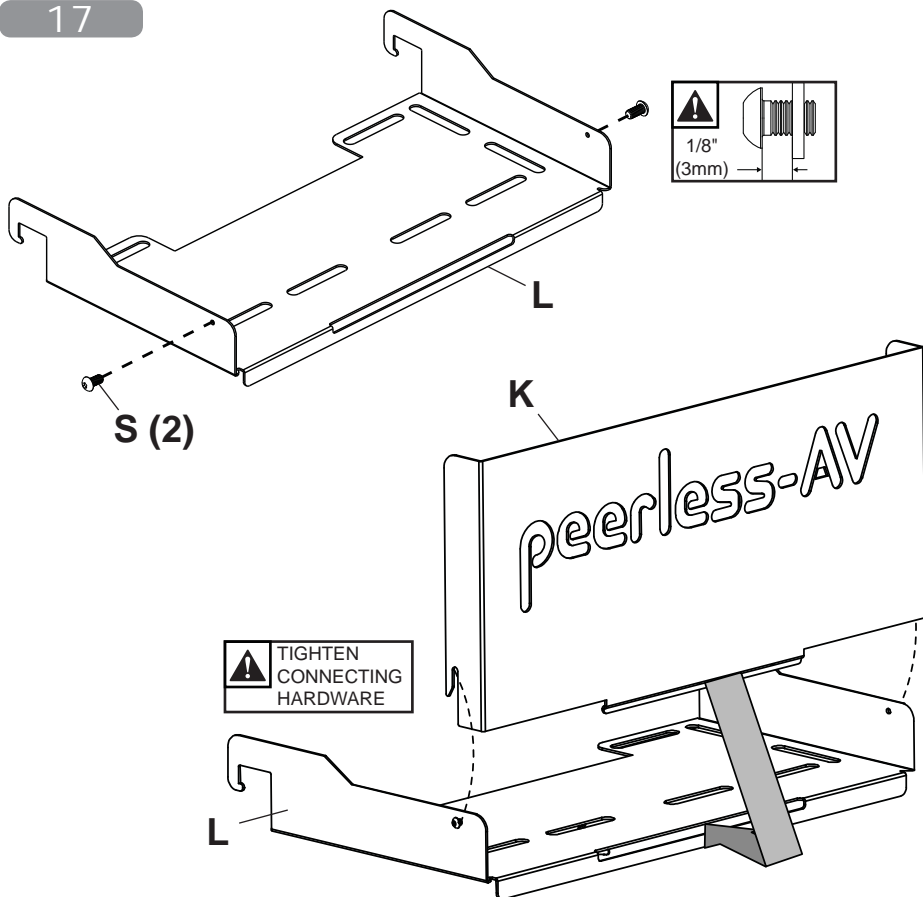
Locked



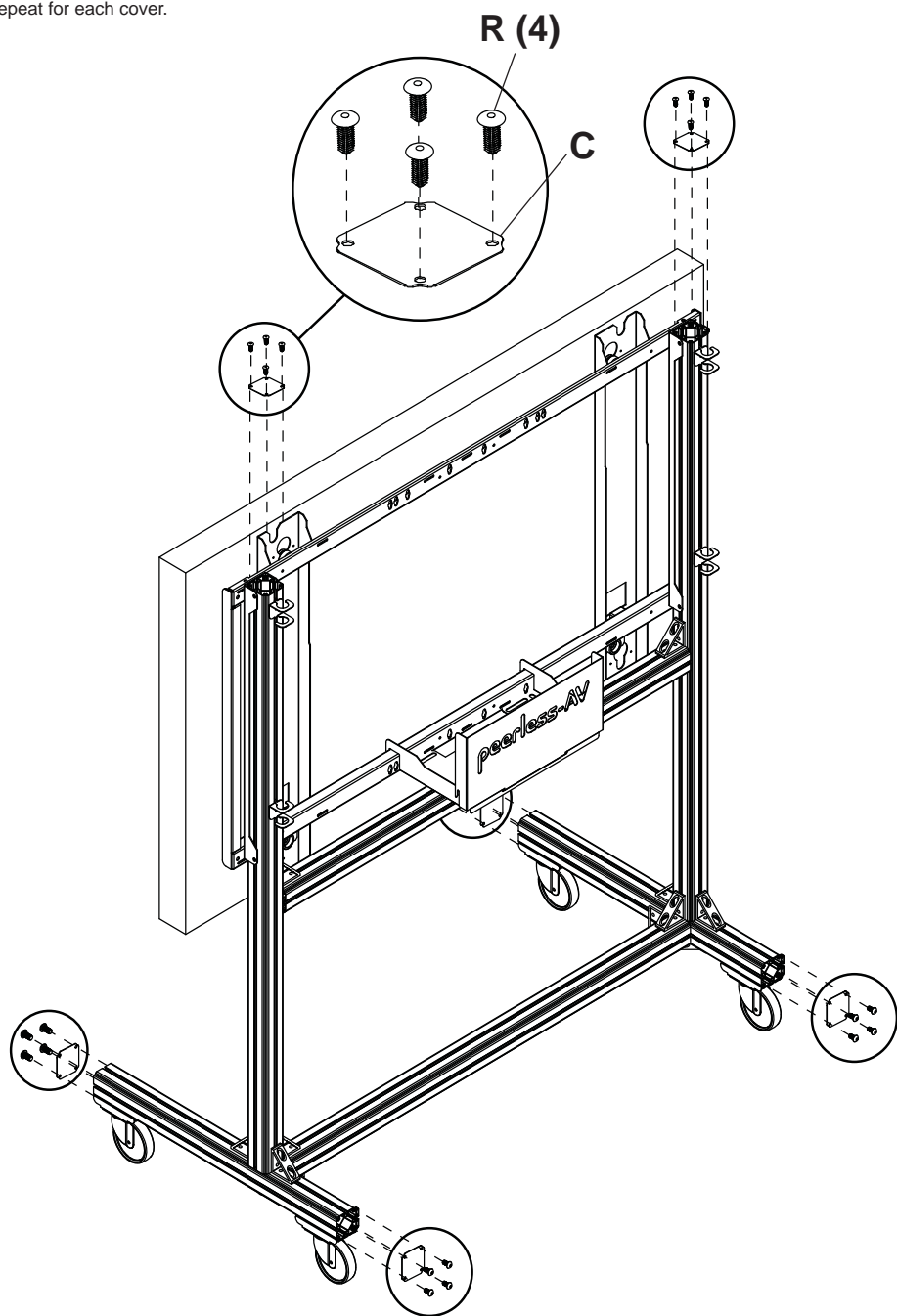
16



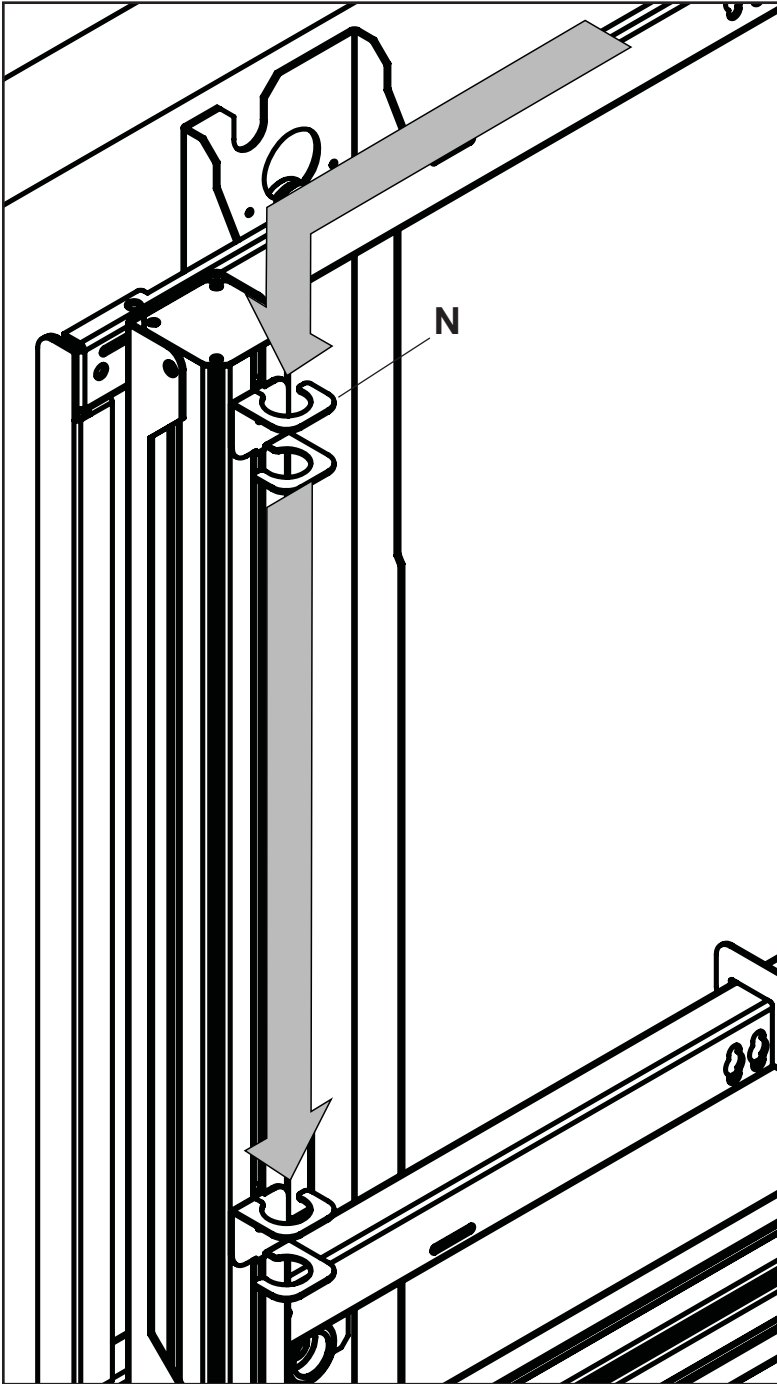
17



Repeat for each cover.



Route cables through cord brackets.



LIMITED FIVE-YEAR WARRANTY

Peerless Industries, Inc. ("Peerless") warrants to original end-users of Peerless® products will be free from defects in material and workmanship, under normal use, for a period of five years from the date of purchase by the original end-user (but in no case longer than six years after the date of the product's manufacture). At its option, Peerless will repair or replace, or refund the purchase price of, any product which fails to conform with this warranty.

In no event shall the duration of any implied warranty of merchantability or fitness for a particular purpose be longer than the period of the applicable express warranty set forth above. Some states do not allow limitations on how long a implied warranty lasts, so the above limitation may not apply to you.

This warranty does not cover damage caused by (a) service or repairs by the customer or a person who is not authorized for such service or repairs by Peerless, (b) the failure to utilize proper packing when returning the product, (c) incorrect installation or the failure to follow Peerless' instructions or warnings when installing, using or storing the product, or (d) misuse or accident, in transit or otherwise, including in cases of third party actions and force majeure.

In no event shall Peerless be liable for incidental or consequential damages or damages arising from the theft of any product, whether or not secured by a security device which may be included with the Peerless® product. Some states do not allow the exclusion or limitation of incidental or consequential damages, so the above limitation or exclusion may not apply to you.

This warranty is in lieu of all other warranties, expressed or implied, and is the sole remedy with respect to product defects. No dealer, distributor, installer or other person is authorized to modify or extend this Limited Warranty or impose any obligation on Peerless in connection with the sale of any Peerless® product.

This warranty gives specific legal rights, and you may also have other rights which vary from state to state.

The logo for Peerless-AV features the word "peerless" in a bold, lowercase, red sans-serif font. To its right, the letters "AV" are rendered in a red outline font, with a registered trademark symbol (®) to the upper right of the "V".

Peerless-AV
2300 White Oak Circle
Aurora, IL 60502
Email: tech@peerlessmounts.com
Ph: (800) 865-2112
Fax: (800) 359-6500
www.peerless-av.com

Peerless-AV Europe
Unit 3 Watford Interchange,
Colonial Way, Watford, Herts,
WD24 4WP, United Kingdom
Customer Care
44 (0) 1923 200 100
www.peerless-av.com

Peerless-AV de Mexico
Ave de las Industrias 413
Parque Industrial Escobedo
Escobedo N.L. Mexico 66050
Servicio al Cliente
01-800-849-65-77
www.peerless-av.com