

IM760P/PU(-S)

In-Wall Mount

For 32"-71" Flat Panel Displays

Maximize your flat panel experience by installing it in the wall with Peerless-AV universal in-wall mounting solution for up to 71" displays. Installation is quick and easy thanks to the mount's stud-locating tabs that fit the in-wall box snugly between 16" wood stud centers. View the flat panel display in its virtually no-profile home position, or extend the arm over 19" to watch it anywhere else within the room.



Display size: 32"-71"



Max load: 200lb (90kg)

FEATURES

- IM760PU models include universal adapter plate to fit displays with mounting hole patterns up to 730 x 433mm (28.75" x 17.05')
- IM760P models include adapter plate to fit displays with VESA® 100, 200 x 100 and 200 x 200mm mounting hole patterns or can be used with dedicated adapter plates
- Can be inverted to position display to the right or left
- Decorative trim ring included for a clean installation
- Installs between 16" (406mm) wood stud centers
- Stud-locating tabs adjust 1/4" (6mm) left or right to accommodate stud spacing
- Removable gang box and cable management access plates make installation easy



Removeable outlet receptacle



Stud locating tabs



IM760P/PU(-S)	In-wall Mount for 32"-71" Flat Panel Displays
----------------------	---

Product Specifications

	DIMENSIONS (W x H x D)	PRODUCT WEIGHT	LOAD CAPACITY	FINISH	AVAILABLE COLORS
IM760PU(-S)	30.75" x 21.86" x 4.34"-23.80" (780 x 555 x 110-604mm)	45.4lb (20.5kg)	200lb (90kg)	Scratch resistant fused epoxy	IM760P/PU: Gloss black IM760P/PU-S: Gloss silver
IM760P(-S)	19.46" x 21.86" x 4.38"-22.56" (494 x 555 x 111-573mm)	34lb (15.4kg)			

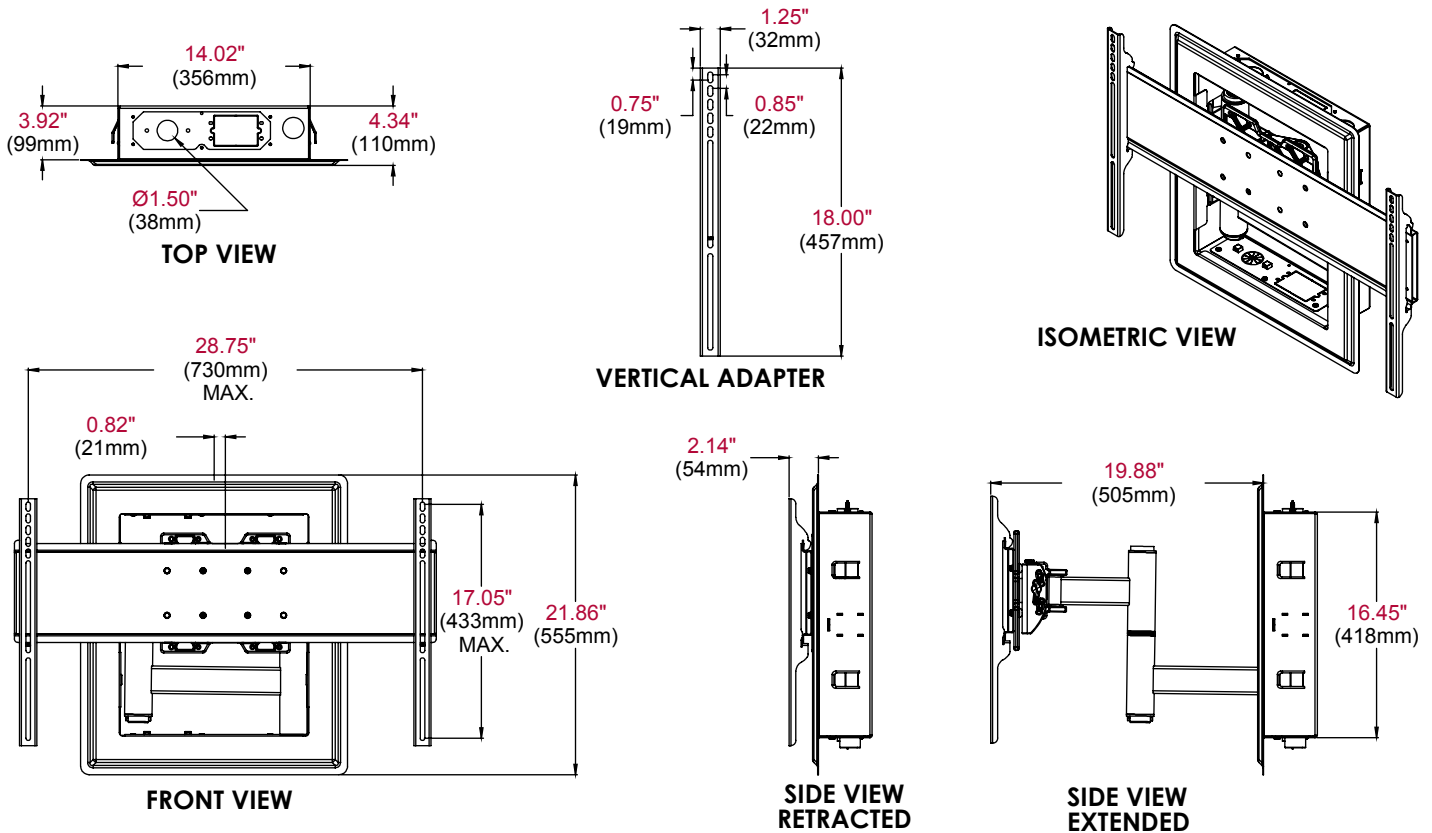
Package Specifications

	PACKAGE SIZE (W x H x D)	PACKAGE SHIP WEIGHT	PACKAGE UPC CODE	PACKAGE CONTENTS	UNITS IN PACKAGE
IM760PU(-S)	27.1875" x 8.625" x 32" (691 x 219 x 813mm)	64.49lb (29.7kg)	IM760PU: 735029255154 IM760PU-S: 735029255161	In-Wall Box, mounting and display attachment hardware, installation instructions, IM760PU(-S): mount with universal adapter plate, IM760P(-S): mount with VESA® 100, 200 x 100 and 200mm mounting hole adapter plate	1
IM760P(-S)	24.9375" x 6.625" x 22.75" (633 x 168 x 578mm)	46.2lb (20.9kg)	IM760P: 735029255130 IM760P-S: 735029255147		

Accessories

- ACC615:** 6-Pack Metal Stud Fastener Kit
- ACC925:** Security Fasteners

All dimensions = inch (mm)



ARCHITECTS SPECIFICATIONS

The In-wall Mount shall be Peerless-AV models IM760P(-S)/IM760PU(-S) and shall be located where indicated on the plans. It shall feature adjustable 15° of forward tilt and 5° backward tilt. It shall be constructed of heavy gauge cold rolled steel and finished with scratch resistant Black or Silver Fused Epoxy. Assembly and installation shall be done according to instructions provided by the manufacturer.