

Read instruction sheet before you start installation and assembly.

⚠ WARNING

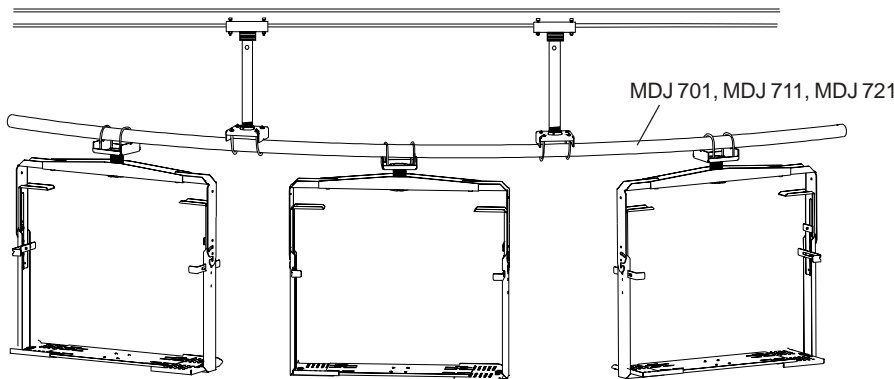
- Installer must verify that the ceiling will safely support the combined weight of the Pipe, ACC 600, Extension Columns, Jumbo/Plasma Mounts, Ceiling Decouplers, and TVs/Plasmas.

Model	Maximum Load Capacity
MDJ 701	1000 lb (453.6 kg)
MDJ 711	1200 lb (544.3 kg)
MDJ 721	1500 lb (680.4 kg)

Multi-Display System for Jumbo 2000® Mounts pages 2-3

Multi-Display System for Plasma Mounts pages 2, 4-5

CURVILINEAR MULTI-DISPLAY™ SYSTEM FOR JUMBO 2000® MOUNTS



Additional models required

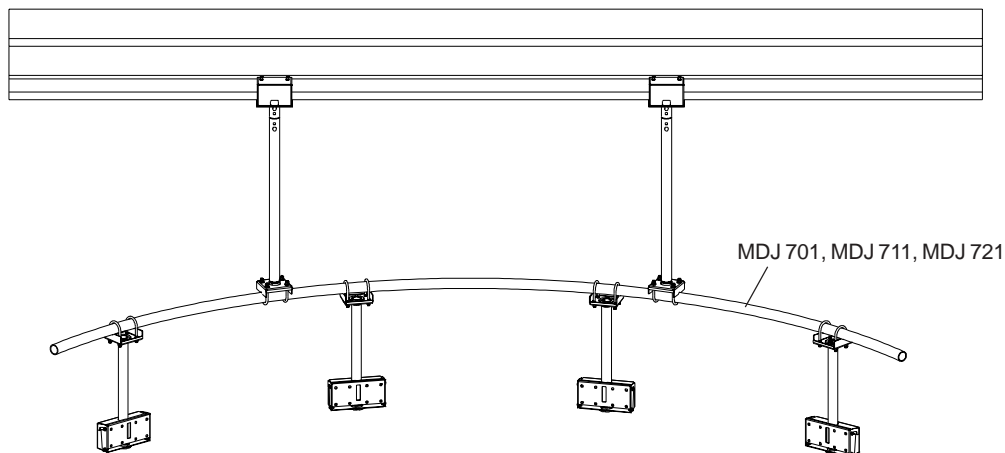
- †Ceiling Decoupler (DCT 600)
- Multi-Display Interface Bracket (ACC 600)
- Fixed Length Extension Columns
- Jumbo 2000 mount (JM2640, JM2650, or JM2660) or PLCM-2 plasma mount

Optional Accessories Kits

- Adjustable Extension Columns
(For more information call customer service)

†Other ceiling decouplers may be used if mounted to a structure other than an I-Beam (Call Customer Service for more information).

CURVILINEAR MULTI-DISPLAY SYSTEM FOR PLASMA MOUNTS

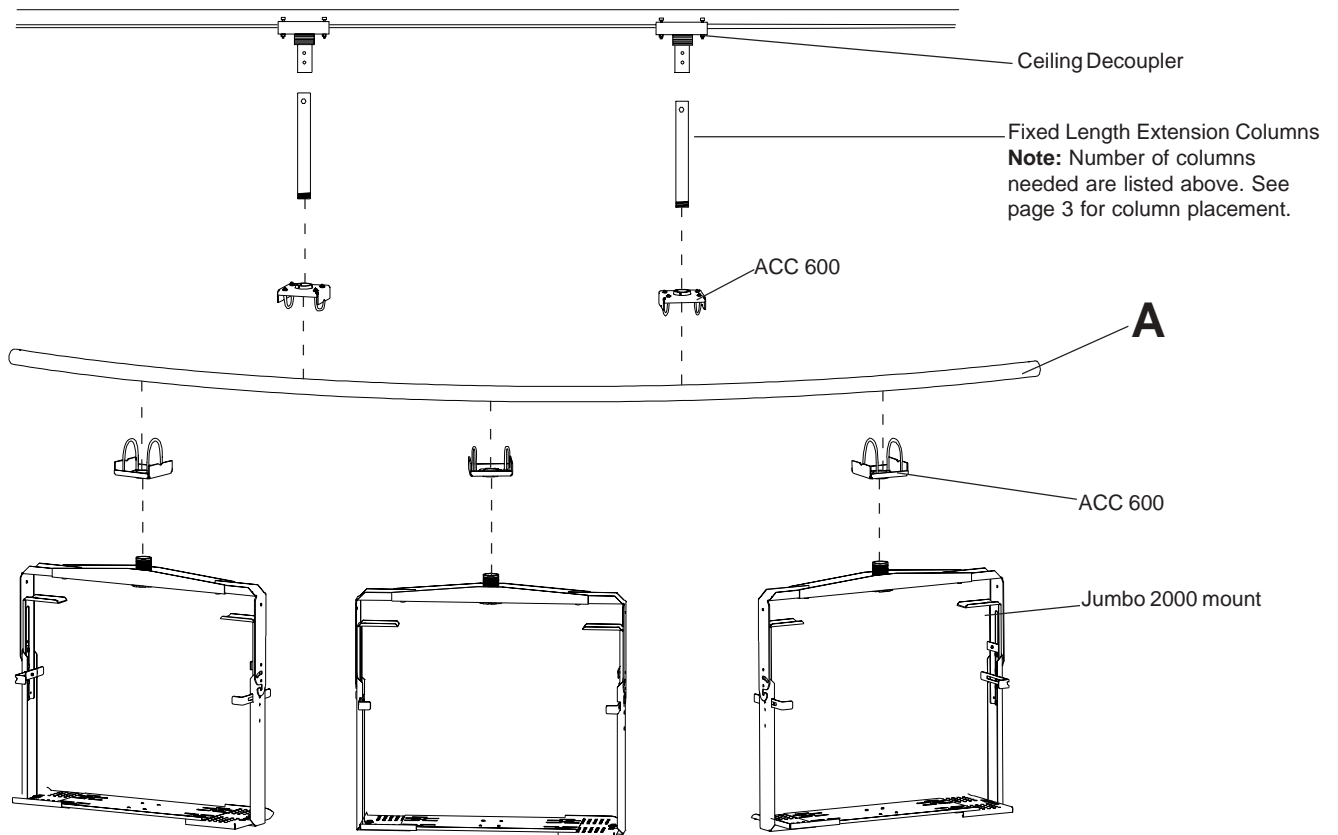


Parts List

Description	Qty.	Part Number
A curved pipe for MDJ 701	1	139-1068
curved pipe for MDJ 711	1	139-1070
curved pipe for MDJ 721	1	139-1072

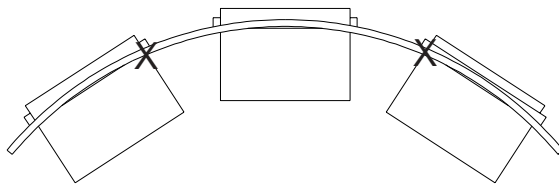
Note: Some parts may appear slightly different than illustrated.

JUMBO QTY.	MODEL #	JUMBO SIZE	PIPE LENGTH	PIPE RADIUS	COLUMNS REQ	CEILING DECOUPLERS	ACC 600 REQ	ACC 600 Approx. spacing (center to center for Jumbos)
3	MDJ 701	JM2640	120"	99.5"	2	2	5	49"
	MDJ 701	JM2650	120"	99.5"	2	2	5	50"
	MDJ 711	JM2660	180"	99.5"	2	2	5	57"
4	MDJ 701	JM2640	120"	99.5"	2	2	6	32"
	MDJ 711	JM2650	180"	99.5"	2	2	6	49"
	MDJ 721	JM2660	240"	150"	3	3	7	58"
5	MDJ 711	JM2640	180"	99.5"	2	2	7	36"
	MDJ 721	JM2650	240"	150"	3	3	8	50"
	MDJ 721	JM2660	240"	150"	3	3	8	50"

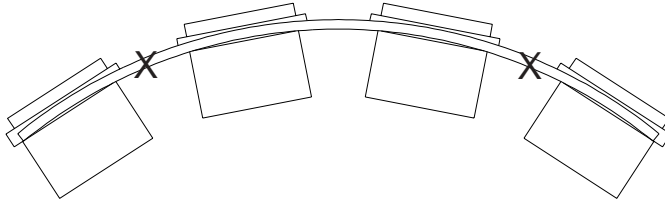


"X" indicates approximated location for columns

MDJ 701

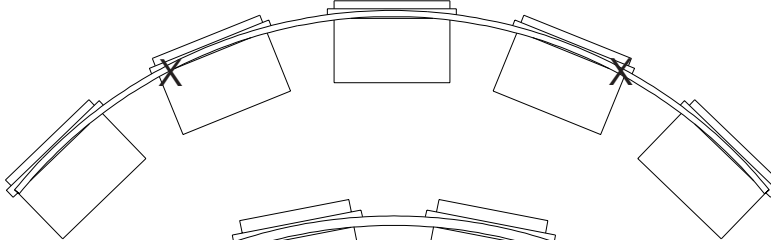


(3) JM2640 or JM2650
(2) COLUMNS

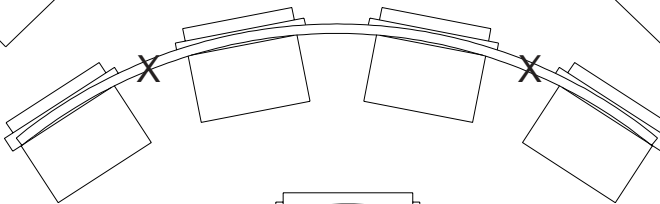


(4) JM2640
(2) COLUMNS

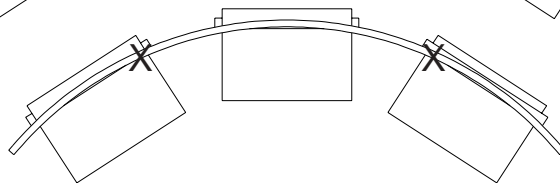
MDJ711



(5) JM2640
(2) COLUMNS

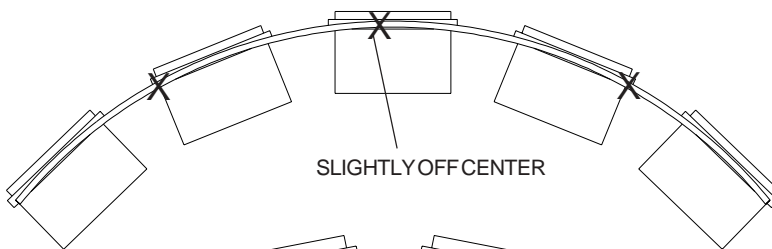


(4) JM2650
(2) COLUMNS



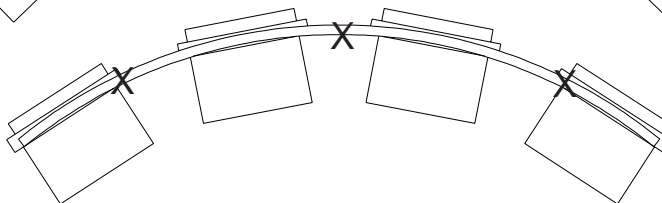
(3) JM2660
(2) COLUMNS

MDJ 721



(5) JM2650 or JM2660
(3) COLUMNS

SLIGHTLY OFF CENTER



(4) JM2660
(3) COLUMNS

PLASMA QTY.	MODEL #	PLASMA SCREEN SIZE	PLCM-2 QTY.	PIPE LENGTH	PIPE RADIUS	*ADD COLUMNS REQ.	**EXT / ADJ COLUMNS REQ.	CEILING DECOUPLERS	ACC 600 REQ.
3	MDJ 701	32" (approx. width - 30")	3	120"	99.5"	2	3	2	5
	MDJ 701	40" (approx. width - 38")	3	120"	99.5"	2	3	2	5
	MDJ 711	42" (approx. width - 40")	3	180"	99.5"	2	3	2	5
	MDJ 711	50" (approx. width - 48")	3	180"	99.5"	2	3	2	5
4	MDJ 701	32" (approx. width - 30")	4	120"	99.5"	2	4	2	6
	MDJ 711	40" (approx. width - 38")	4	180"	99.5"	2	4	2	6
	MDJ 711	42" (approx. width - 40")	4	180"	99.5"	2	4	2	6
	MDJ 721	50" (approx. width - 48")	4	240"	150"	2	4	2	6

$X = W + 5$

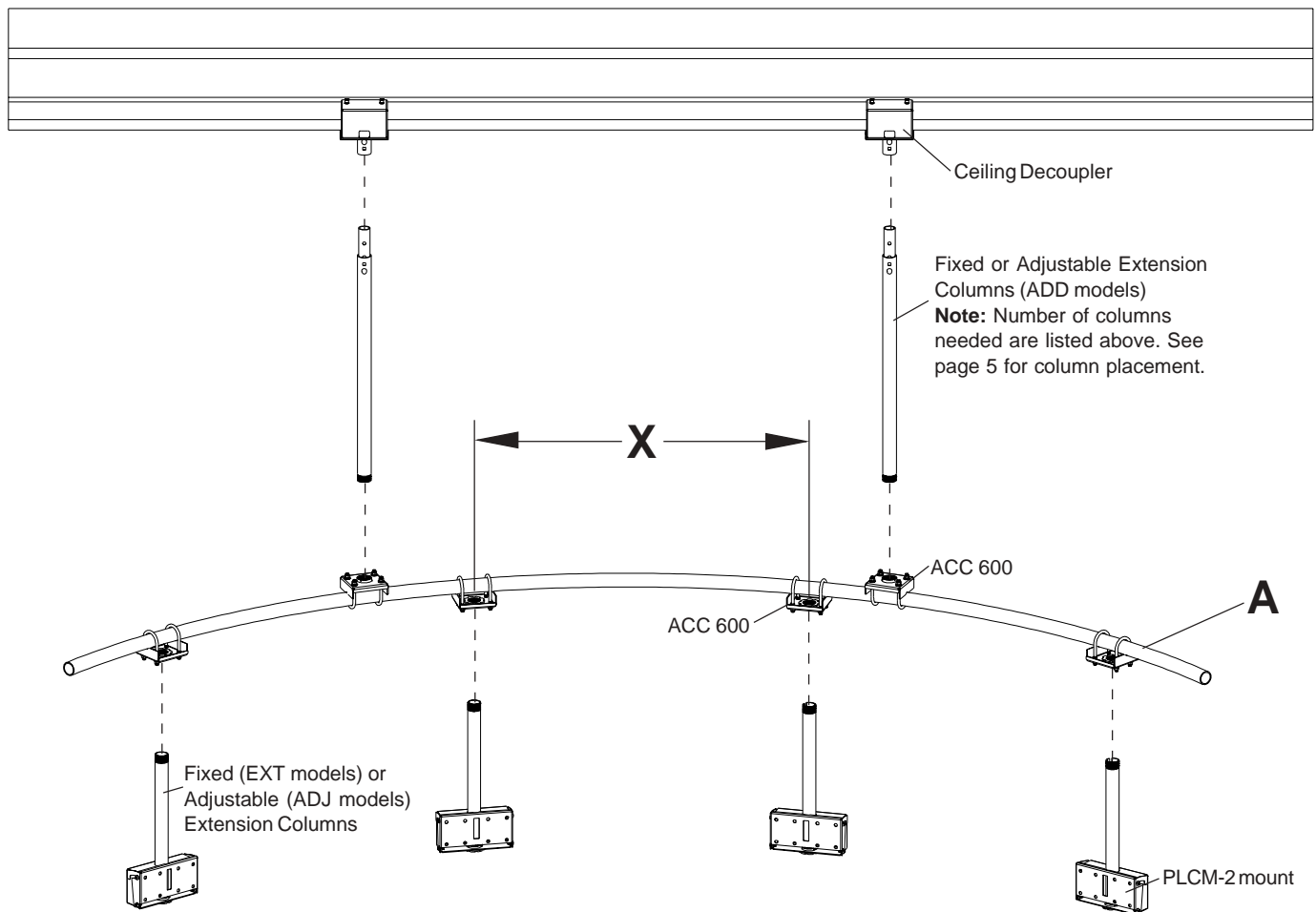
X = minimum spacing between plasma screens from center to center

W = width of plasma screen

Note: Formula assumes approximately 5" between plasmas.

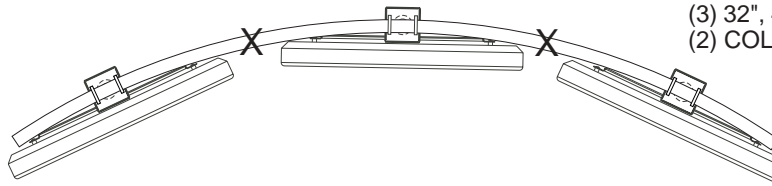
*ADD columns are used for attachment to ceiling decouplers only.

**EXT and ADJ columns are used for attachment to PLCM-2.

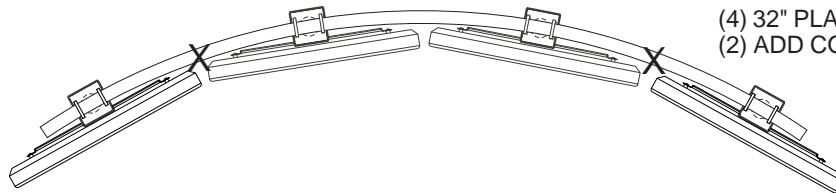


"X" indicates approximated location for columns

MDJ 701

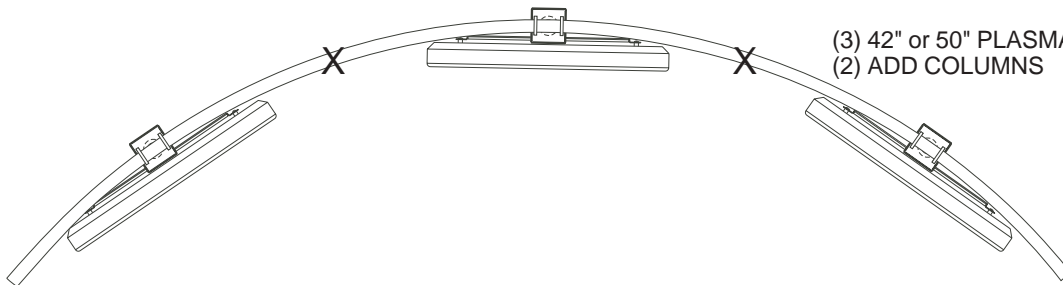


(3) 32", 40", or 42" PLASMA SCREENS
(2) COLUMNS

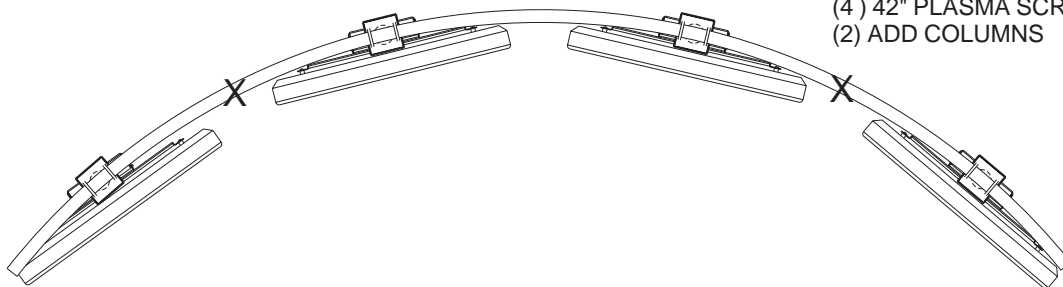


(4) 32" PLASMA SCREENS
(2) ADD COLUMNS

MDJ 711

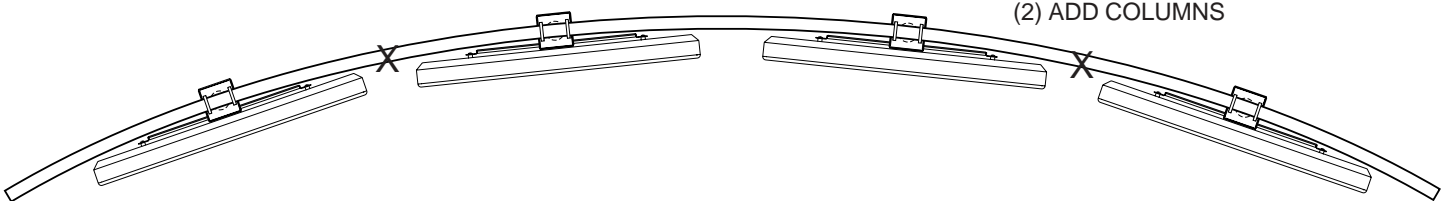


(3) 42" or 50" PLASMA SCREENS
(2) ADD COLUMNS



(4) 42" PLASMA SCREENS
(2) ADD COLUMNS

MDJ 721



(4) 50" PLASMA SCREENS
(2) ADD COLUMNS