

MOD-ASC

Display Stacking Clamp

For Modular Series Flat Panel Display Mounts

The Peerless-AV Modular Mounts Line features a full range of products that can fulfill multiple requirements from a limited number of SKUs. With the universality of the components, configure your own perfect custom flat-panel display or projector mounting solution for any application.

The Modular Mount Line was developed with the professional AV installer in mind. Designed around a 2" (50mm) diameter pole, the line is ideal for new projects as well as for upgrading existing installations.

The MOD-ASC serves as solution for stacking signal or dual displays on a single pole.



Max load: 187lb (85kg)

FEATURES

- Clamps around extension pole to stack multiple single or dual back to back displays on single pole
- Secondary safety screw provided to secure mount into place
- 187lb (85kg) max weight capacity



MOD-ASC Display Stacking Clamp for Modular Series Flat Panel Display Mounts

Product Specifications

	DIMENSIONS (W x H x D)	PRODUCT WEIGHT	LOAD CAPACITY	FINISH	AVAILABLE COLORS
MOD-ASC	3.03" x 0.78" x 3.03" (77 x 20 x 77mm)	0.20lb (0.90kg)	187lb (85kg)	Power coat	Black

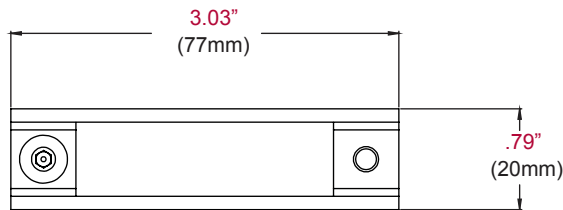
Package Specifications

	PACKAGE SIZE (W x H x D)	PACKAGE SHIP WEIGHT	PACKAGE UPC CODE	PACKAGE CONTENTS	UNITS IN PACKAGE
MOD-ASC	3.25" x 7.63" x 3.25" (82 x 193 x 82mm)	0.45lb (0.20kg)	73502927001	Clamp, screws	1

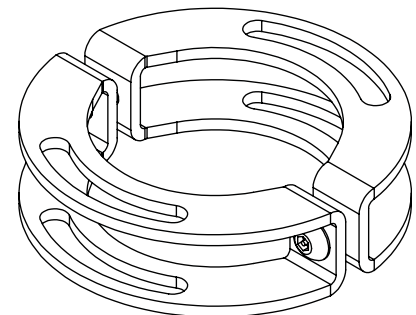
Accessories

- MOD-ACF(-W):** Accessory Cover for MOD-CPF Ceiling Plate
- MOD-APC:** Accessory Pole Coupler
- MOD-APRG(-W):** Accessory Projector Adaptor, PRG Mount
- MOD-APRS(-W):** Accessory Projector Adaptor, PRS Mount
- MOD-ADF:** Pole Drill Fixture
- MOD-ATD-W:** Accessory Trim Disc
- MOD-AUB:** Accessory U-Bolt Adaptor
- MOD-CPC(-W):** Ceiling Plate, Cathedral
- MOD-CPF:** Square Ceiling Plate, Flat (7.4" x 6.8")
- MOD-CPI:** I-Beam Ceiling Plate, Flat
- MOD-FPMD:** Flat Panel Mount, Dual Back-To-Back
- MOD-FPMS(-W):** Flat Panel Mount, Single
- MOD-P100(-B):** 50mm Extension Pole - 39" (1.0m)
- MOD-P150(-B):** 50mm Extension Pole - 59" (1.5m)
- MOD-P200(-B):** 50mm Extension Pole - 78" (2.0m)
- MOD-P300(-B):** 50mm Extension Pole - 118" (3.0m)
- MOD-UNL:** Universal Display Adaptor, Large
- MOD-UNM:** Universal Display Adaptor, Medium

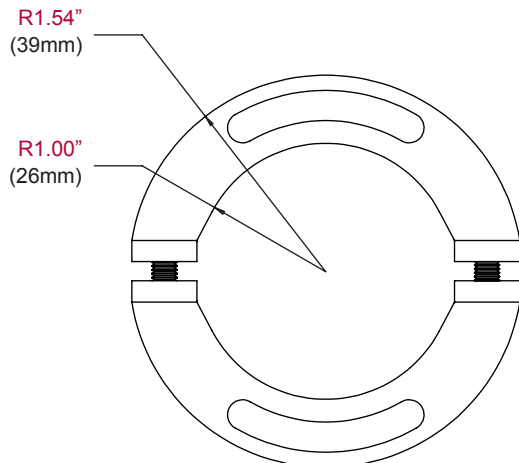
All dimensions = inch (mm)



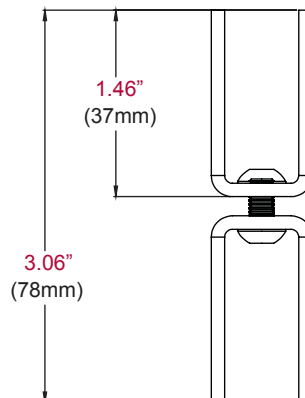
FRONT VIEW



ISOMETRIC VIEW



TOP VIEW



SIDE VIEW

ARCHITECTS SPECIFICATIONS

The Display Stacking Clamp shall be a Peerless-AV model MOD-ASC and shall be located where indicated on the plans. Assembly and installation shall be done according to instructions provided by the manufacturer.

Peerless Industries, Inc. ■ 2300 White Oak Circle ■ Aurora, IL 60502 ■ (800) 865-2112 ■ (630) 375-5100 ■ Fax: (800) 359-6500 ■ peerless-av.com

Visit www.peerless-av.com to see the complete line of AV solutions from Peerless-AV, including flat panel mounts, projector mounts, carts/stands, furniture, cables, screen cleaners and a full assortment of accessories.