

MOD-FPS2KIT150(-B)



Display size
46"-90"



Max load
211lb (96kg)
per display

Modular Series Dual Pole Ceiling Kit

FOR 46" TO 90" DISPLAYS

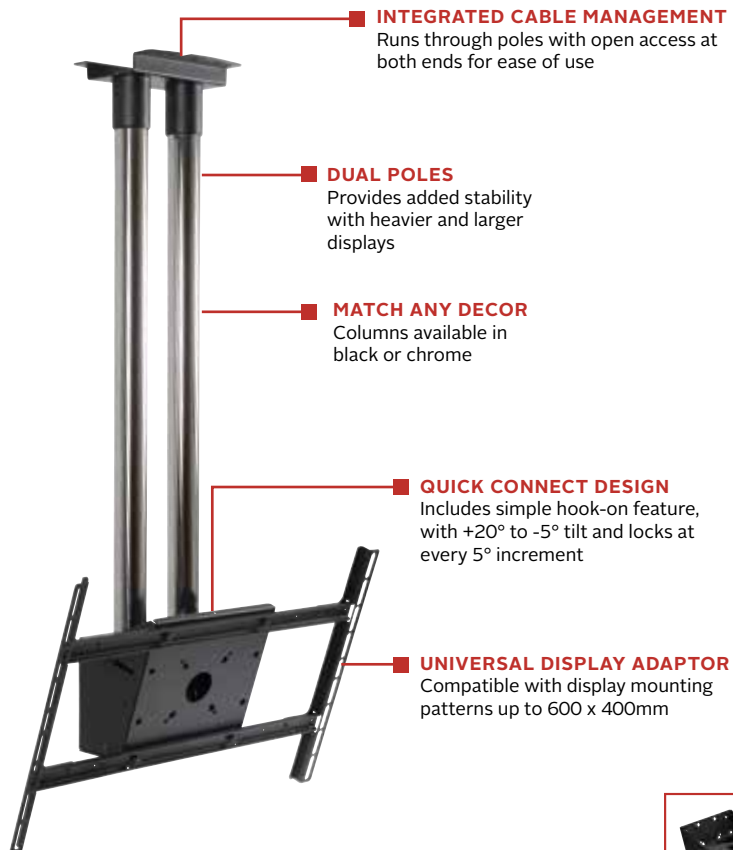
Peerless-AV's Modular Mount Series features a full range of products to fulfill multiple requirements with a limited number of components. The universality of the components allows you to configure your own perfect custom flat-panel display or projector mounting solution for any application. The Modular Mount Series was developed with the professional AV installer in mind with a 2" (50mm) diameter support pole that can be easily cut to length on the job site making it ideal for new projects as well as for upgrading existing installations. The MOD-FPS2KIT150(-B) Ceiling mount kit helps eliminate guesswork, so you can create the perfect installation.

The universal design of the MOD-FPS2KIT150(-B) allows you to configure your desired application just the way you want it, making a perfect installation possible.



Additional Features

- ✓ Kit includes:
 - Flat ceiling plate
 - Two 59" (1.5m) extension poles
 - Single display mount
 - Large universal adaptor
- ✓ Heavy-duty flat ceiling plate securely mounts to wood or concrete ceilings
- ✓ Universal display adaptor for 46" to 90" displays with VESA® mounting patterns up to 600 x 400mm
- ✓ Modular design allows additional displays to be stacked on the dual poles



Install up to 2 displays in a back-to-back configuration using the Dual Pole Back-to-Back Display Mount accessory, MOD-FPMD2. (MOD-UNL2 may be required)



MOD-FPS2KIT150(-B) Modular Series Dual Pole Ceiling Kit for 46" to 90" Displays

Product Specifications

	DIMENSIONS (W x H x D)	PRODUCT WEIGHT	LOAD CAPACITY	FINISH	AVAILABLE COLORS
MOD-FPS2KIT150(-B)	24.57" x 64.04" x 7.48" (624 x 1627 x 190mm)	31.8lb (14.45kg)	211lb (96kg) per display - up to 2 displays when used back to back	Powder Coat or Chrome	MOD-FPS2KIT150: Black with chrome poles MOD-FPS2KIT150-B: Black with black poles

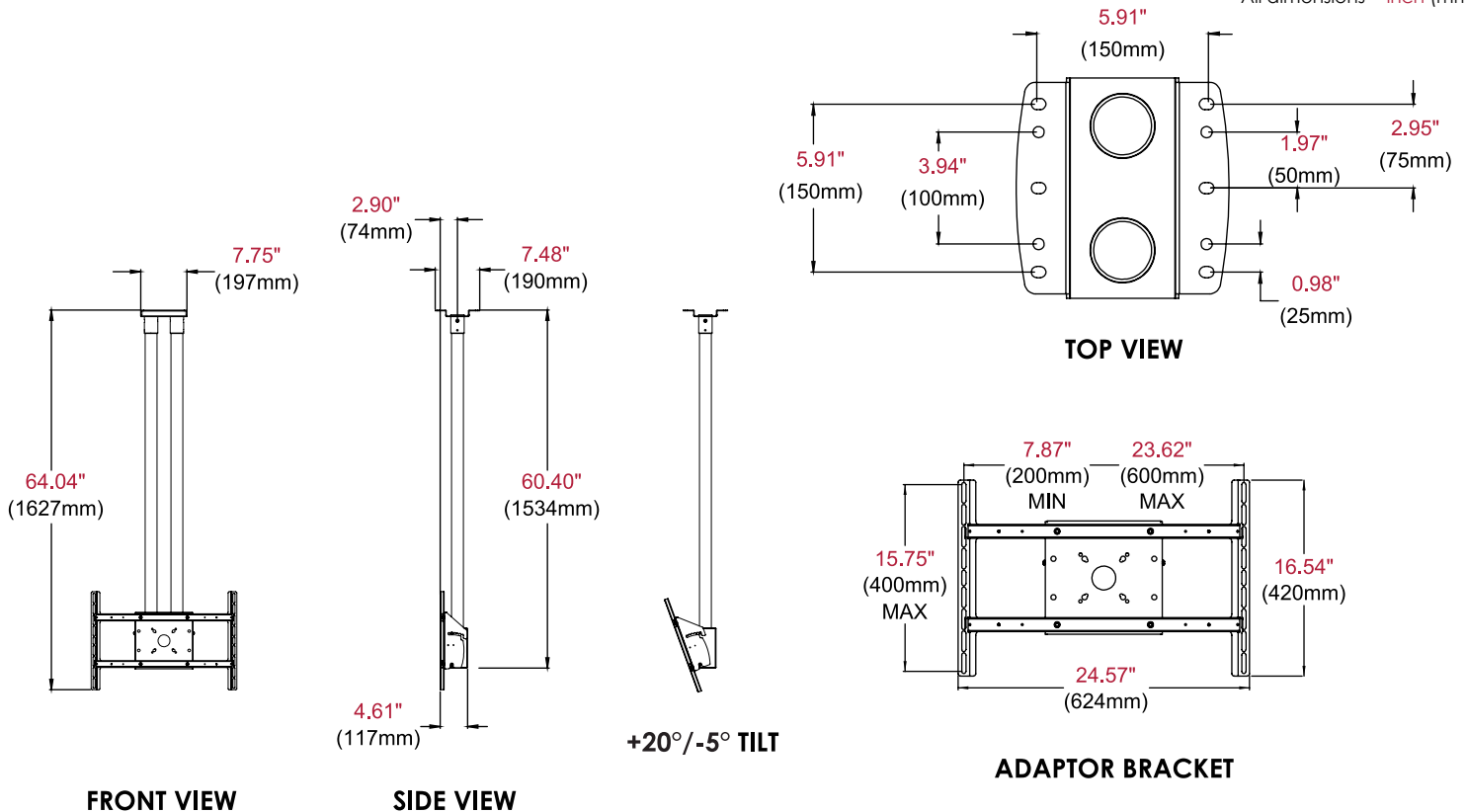
Package Specifications

	PACKAGE SIZE (W x H x D)	PACKAGE SHIP WEIGHT	PACKAGE UPC CODE	PACKAGE CONTENTS	UNITS IN PACKAGE
MOD-FPS2KIT150(-B)	BOX1: 25.38" x 14.50" x 5.75" (645 x 368 x 146mm)	21.5lb (9.77kg)	MOD-FPS2KIT150: 735029301752	MOD-CPF2, MOD-FPMS2, MOD-UNL2, (2) MOD-P150, Mounting hardware & instructions	1
	BOX 2 & 3: 61.00" x 2.50" x 2.50" (1549 x 64 x 64mm)	7.4lb (3.36kg) each	MOD-FPS2KIT150-B: 735029301820		

Accessories

- MOD-ACF2:** Dual Pole Cosmetic Cover
- MOD-FPMD2:** Dual Pole Back-to-Back Display Mount
- MOD-UNL2:** Large Universal Adaptor
- ACC925:** Security Fastener Pack

All dimensions = inch (mm)



Architect Specifications

The Modular Series Dual Pole Ceiling Kit shall be a Peerless-AV model MOD-FPS2KIT150(-B) and shall be located where indicated on the plans. Assembly and installation shall be done according to instructions provided by the manufacturer.

Visit peerless-av.com to see the complete line of AV solutions from Peerless-AV, including outdoor displays, wireless, kiosks, digital audio, display mounts, projector mounts, carts/stands, and a full assortment of accessories.

Peerless-AV
2300 White Oak Circle
Aurora, IL 60502 USA
(800) 865-2112
(630) 375-5100
Fax: (800) 359-6500

Peerless-AV Europe
Unit 3 Watford Interchange
Colonial Way, Watford
Herts, WD24 4WP
United Kingdom
+44 (0) 1923 200100
Fax: +44 (0) 1923 200101

Peerless-AV de México
Ave de las Industrias 413
Parque Industrial Escobedo
Escobedo, N.L.,
Mexico 66050
+52 (81) 8384-8300
Fax: +52 (81) 8384-8360

