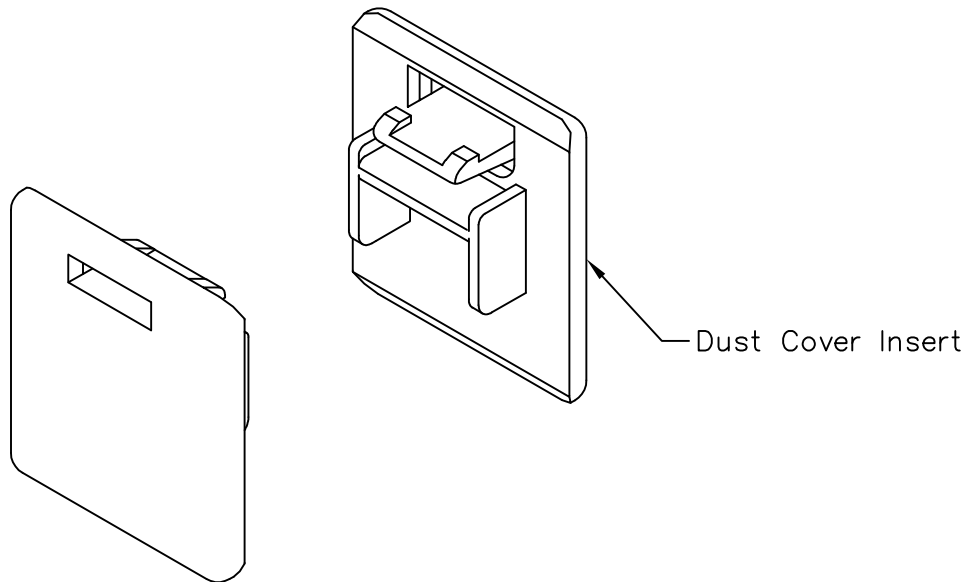


Clear Dust Cover Insert

PRODUCT SPECIFICATION

Package includes:

A. Dust Cover Insert, 10 pcs



Features and Benefits:

- Fills unused modules and ports to prevent dust and debris
- Used with ICC's CAT 5e, CAT 6, CAT 6A, voice modules, couplers, faceplates, inserts, and patch panels
- Available in clear
- ANSI/TIA-568-C and UL 1863 compliant

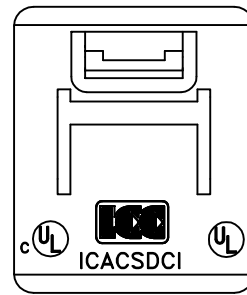
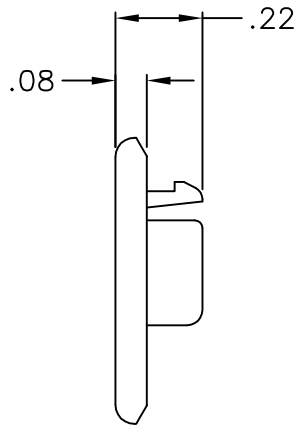
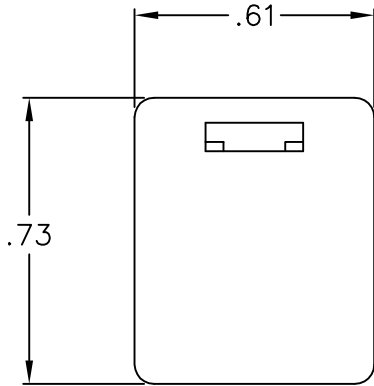
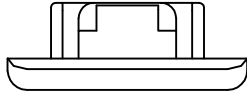
DUST COVER INSERT, CLEAR, 10 PK

ITEM NO. ICACSDCICL
 DWG NO. PSACSDCICL

REV. A
 PAGE NO. 1




CUSTOMER CARE / TECHNICAL SUPPORT * CSR@ICC.COM / 888-ASK-4-ICC (275-4422) * 2100 East Valencia Drive, Suite D, Fullerton, CA 92831 * www.icc.com



NOTE: UNLESS OTHERWISE SPECIFIED

1. MATERIAL: ABS, UL 94V-0
2. COLOR: CLEAR
3. SURFACE FINISHING: TEXTURE

c UL US FILE NO. 125268

DUST COVER INSERT, CLEAR, 10 PK		 <i>Premium Products</i> <i>Proven Performance</i> <i>Competitive Prices</i>	
ITEM NO.	ICACSDCICL		REV. A
DWG NO.	PSACSDCICL		PAGE NO. 2

CUSTOMER CARE / TECHNICAL SUPPORT * CSR@ICC.COM / 888-ASK-4-ICC (275-4422) * 2100 East Valencia Drive, Suite D, Fullerton, CA 92831 * www.icc.com