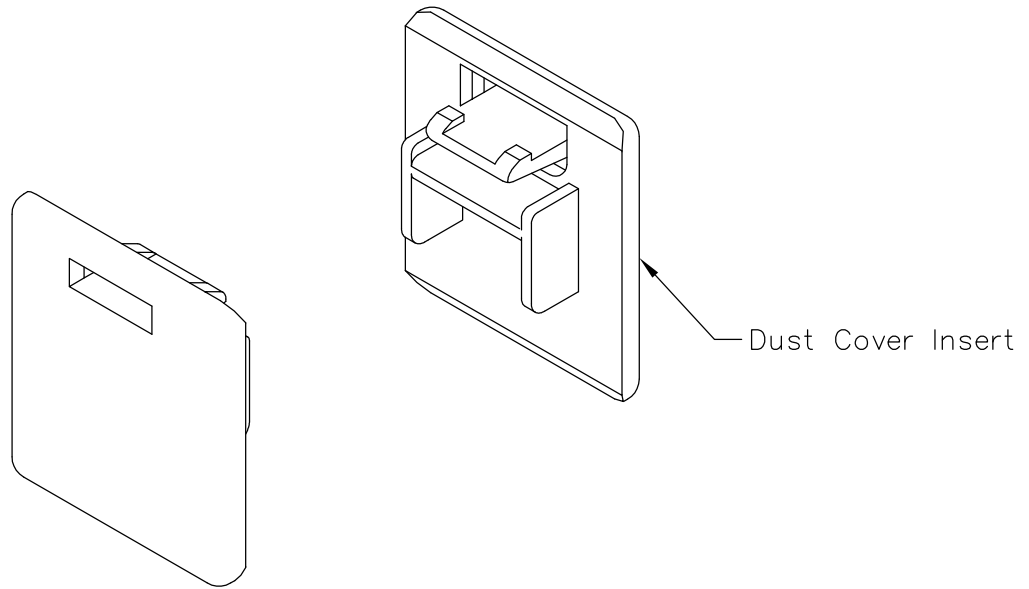


Clear Dust Cover Insert, 100 pk

PRODUCT SPECIFICATION

Package includes:

A. Dust Cover Insert, 100 pcs



Features and Benefits:

- Fills unused modules and ports to prevent dust and debris
- Used with ICC's CAT 5e, CAT 6, CAT 6A, voice modules, couplers, faceplates, inserts, and patch panels
- Available in clear

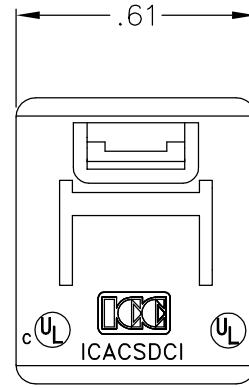
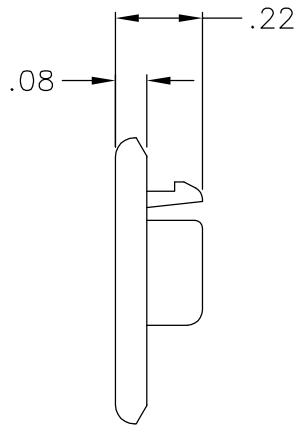
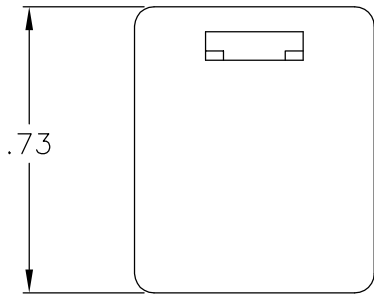
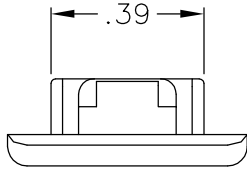
DUST COVER INSERT, CLEAR, 100PK

ITEM NO. ICACSDCVCL
DWG NO. PSACSDCVCL

REV. A
PAGE NO. 1



CUSTOMER CARE / TECHNICAL SUPPORT * CSR@ICC.COM / 888-ASK-4-ICC (275-4422) * 2100 East Valencia Drive, Suite D, Fullerton, CA 92831 * www.icc.com



NOTE: UNLESS OTHERWISE SPECIFIED

1. MATERIAL: ABS, UL 94V-0
2. COLOR: CLEAR
3. SURFACE FINISHING: TEXTURE

DUST COVER INSERT, CLEAR, 100PK

ITEM NO.	ICACSDCVCL	REV.	A
DWG NO.	PSACSDCVCL	PAGE NO.	2



CUSTOMER CARE / TECHNICAL SUPPORT * CSR@ICC.COM / 888-ASK-4-ICC (275-4422) * 2100 East Valencia Drive, Suite D, Fullerton, CA 92831 * www.icc.com