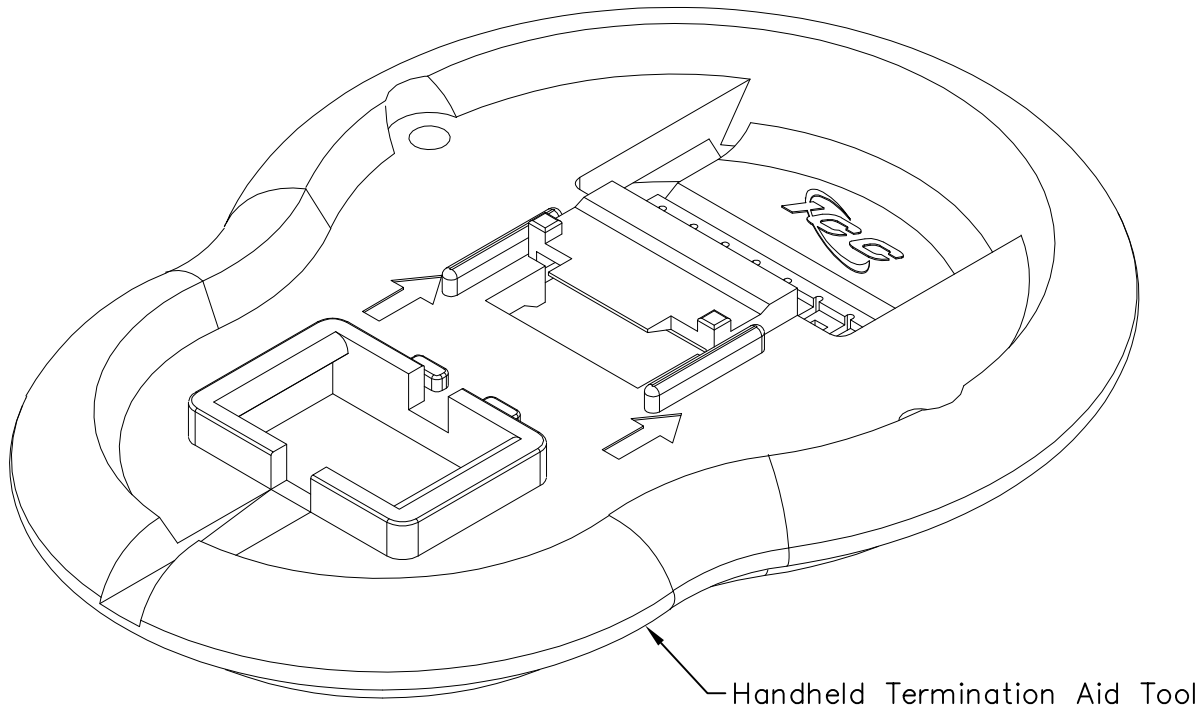


# Handheld Termination Aid Tool

## PRODUCT SPECIFICATION

### Package includes:

- A. Handheld Termination Aid Tool, 1 pc
- B. Instructions, 1 sheet



### Features and Benefits:

- Designed to provide a base for fast, reliable termination and reduce the effort required for terminations
- Prevents modules or plugs from slipping out of hands, or off the work surface, prior to termination
- Used with all IC107 CAT 6, CAT 5e, voice modules, and ICMP110 patch plugs
- Instructions #MSR-0278 included
- ANSI/TIA-568-C and UL 1863 compliant

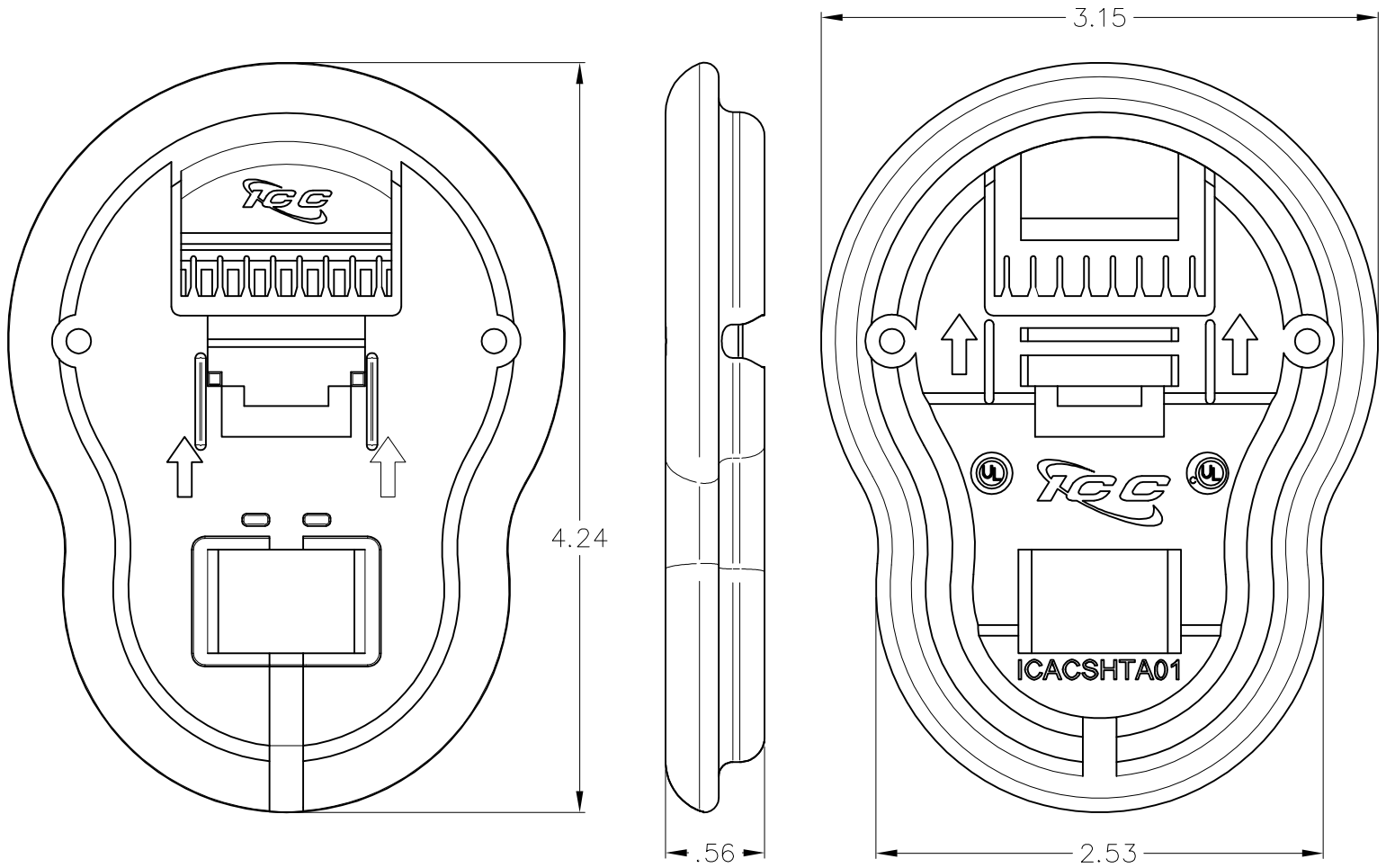
### TOOL, HANDHELD TERMINATION AID

ITEM NO.	ICACSHTA01
DWG NO.	PSACSHTA01

REV.	A
PAGE NO.	1




CUSTOMER CARE / TECHNICAL SUPPORT \* CSR@ICC.COM / 888-ASK-4-ICC (275-4422) \* 2100 E. Valencia Dr, Suite D, Fullerton, CA 92831 \* www.icc.com



**NOTE: UNLESS OTHERWISE SPECIFIED**

1. MATERIAL: ABS, UL 94V-0
2. SURFACE FINISH: MATTED
2. COLOR: RED

UL US FILE NO. 125268

<b>TOOL, HANDHELD TERMINATION AID</b>		 <b>Premium Products</b> <i>Proven Performance</i> <i>Competitive Prices</i>	
ITEM NO.	ICACSHTA01		REV. A
DWG NO.	PSACSHTA01		PAGE NO. 2

CUSTOMER CARE / TECHNICAL SUPPORT \* CSR@ICC.COM / 888-ASK-4-ICC (275-4422) \* 2100 E. Valencia Dr, Suite D, Fullerton, CA 92831 \* www.icc.com