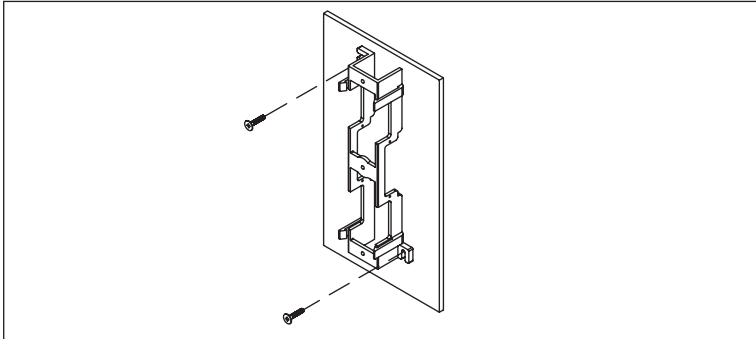


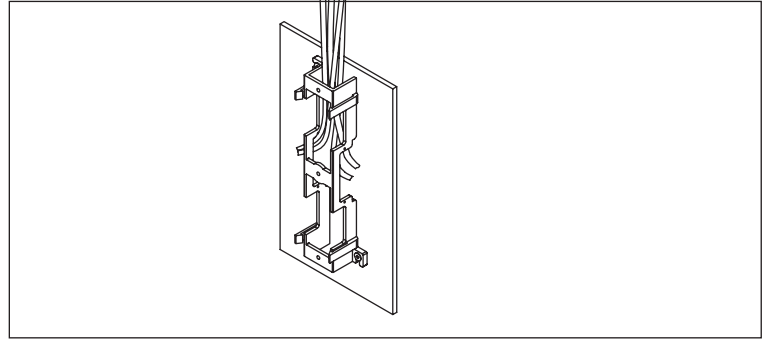


# 50-Pair 66 Wiring Block

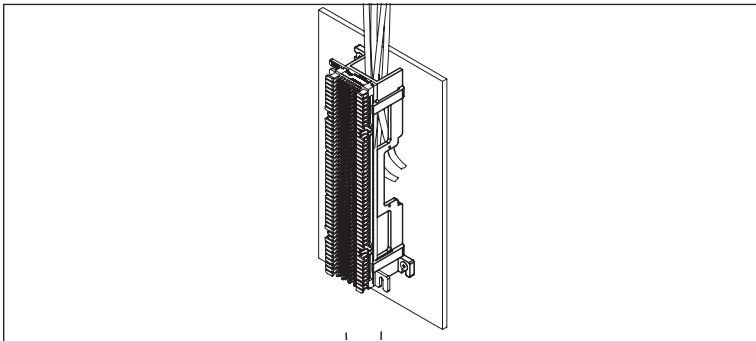
## INSTALLATION INSTRUCTIONS



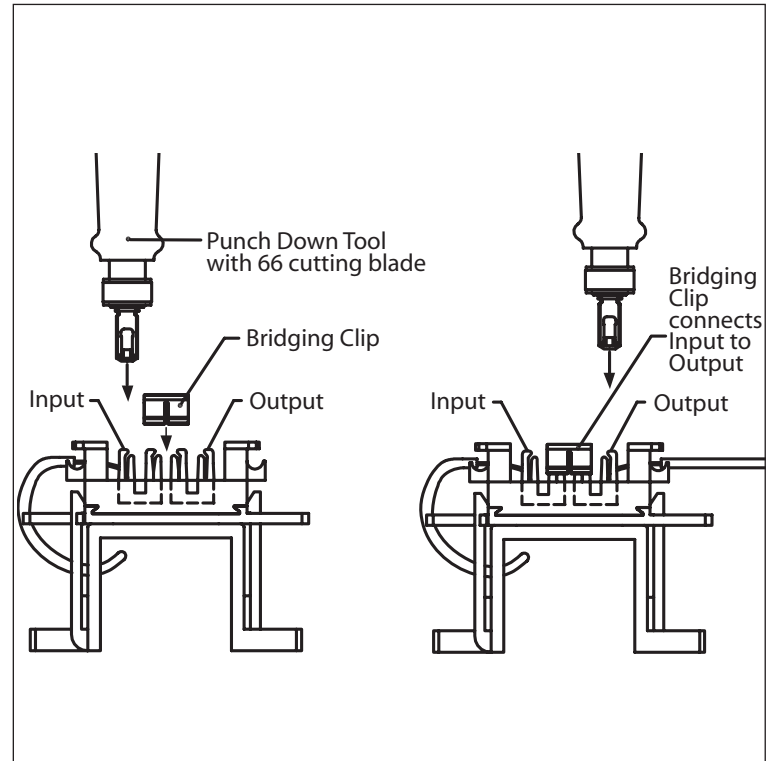
Step 1: Mount an 89B mounting bracket onto a plywood wall.  
Note: Bracket and mounting screws are sold separately.



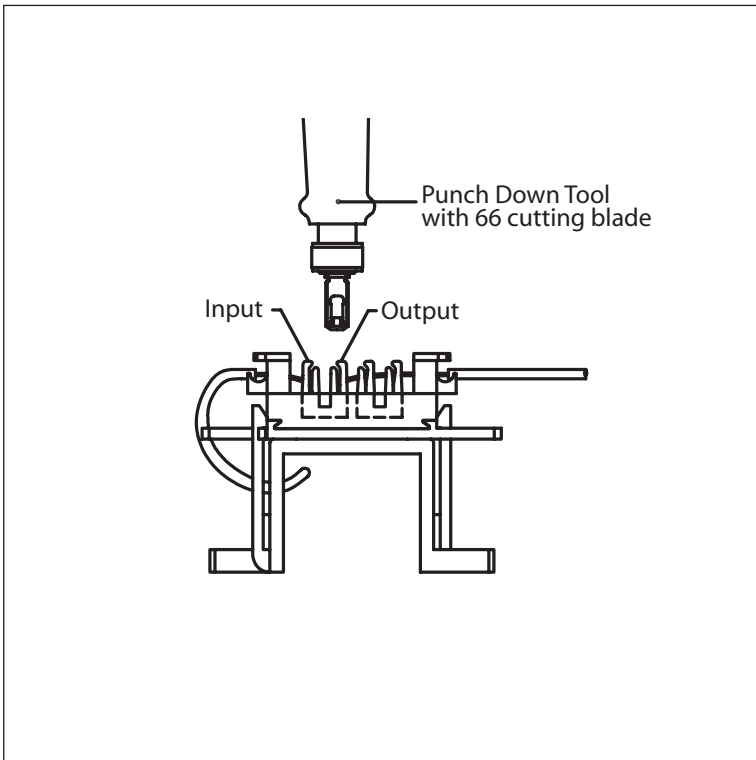
Step 2: Route the horizontal or backbone cables down inside the 89B mounting bracket and feed the cables out from either side.



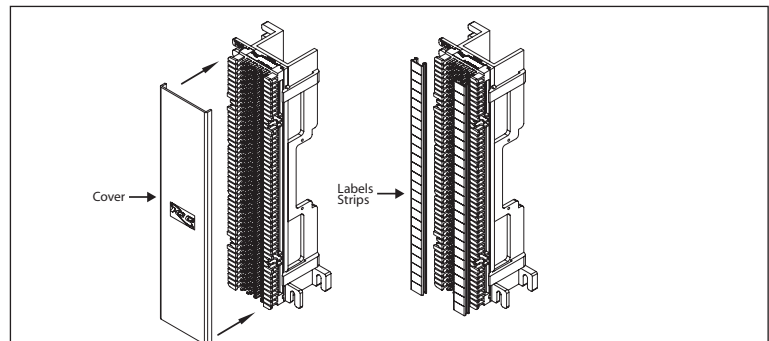
Step 3: Snap the 66 wiring block onto the 89B mounting bracket.



Step 4a: Seat and terminate the input and output conductors using a punch-down tool. Use a bridging clip between the input and output IDCs to establish contact. Refer to chart below for color order.



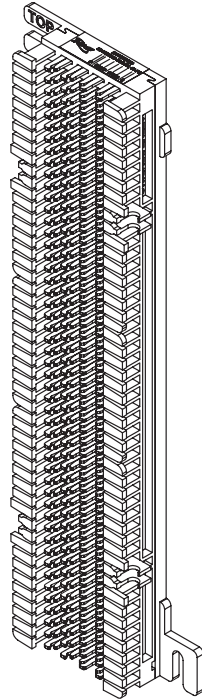
Step 4b: Bridging clip is not necessary if output conductor is terminated on same IDC as input conductor.



Optional Accessories: Use a snap-on cover to protect terminated wires or use label strips for easy system administration.

# 50-Pair 66 Wiring Block

## I N S T A L L A T I O N I N S T R U C T I O N S

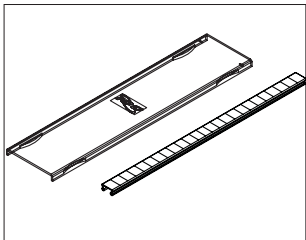


Item #	Description
IC066NB050	50-Pair 66 Wiring Block

## F E A T U R E S A N D B E N E F I T S

- Supports voice and data network applications
- Performance exceeds Category 5e connecting hardware requirement specified in TIA/EIA-568
- Designed with strong high impact flame retardant material
- Wall mount using 89B mounting bracket
- Use with 66-wiring block bridging clips, cover and labeling strips

## O P T I O N A L A C C E S S O R I E S



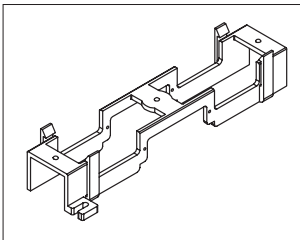
66-Wiring Block Cover & Labels

**IC066CV050** Cover

- Clear cover protects terminations
- Provides clean appearance
- Does not work with labeling strips

**IC066LS050** Labels

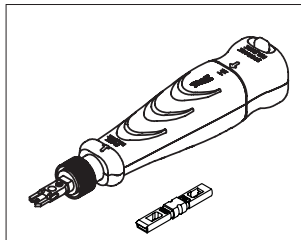
- Secures terminated cables
- Label with a pen
- Help system administration
- 10pcs/pack



89B Mounting Bracket

**ICMB89B0WH**

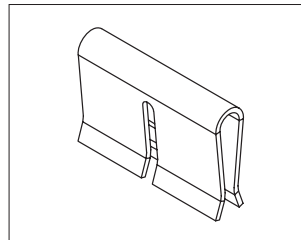
- For wall mounting



Single Blade Punch-Down Tool

**ICACSPDT00**

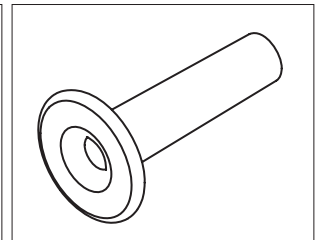
- Designed for both 110-type IDC & 66 single-wire termination
- Both blades included
- Adjustable impact settings
- Comfortable grip



66-Wiring Block Bridging Clips

**IC066BRCLP**

- Electrically interconnect adjacent terminals
- Tin plated phosphor bronze
- 100pcs/pack



Cable Management Spools

**ICACSWDS10** Without Screw

- **ICACSWDS20** With Screw
- Retains and guides cables
- 10pcs/pack