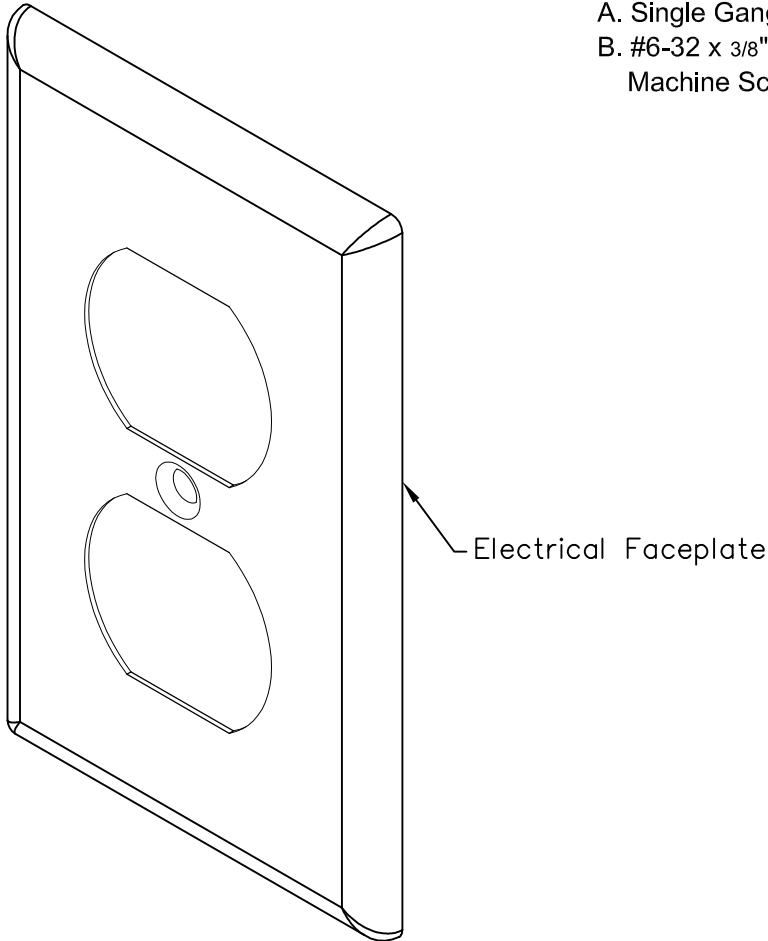


# Single Gang Electrical Faceplate

## PRODUCT SPECIFICATION

### Package includes:

- A. Single Gang Electrical Faceplate, 1 pc
- B. #6-32 x 3/8" Oval Head, Countersink Machine Screw, 1 pc



### Features and Benefits:

- Configured to fit standard single gang electrical outlet
- Designed for commercial or residential applications
- Rugged and durable construction
- Accepts IC107 electrical inserts
- Available in almond, ivory, and white
- ANSI/TIA-568-C and UL 1863 compliant

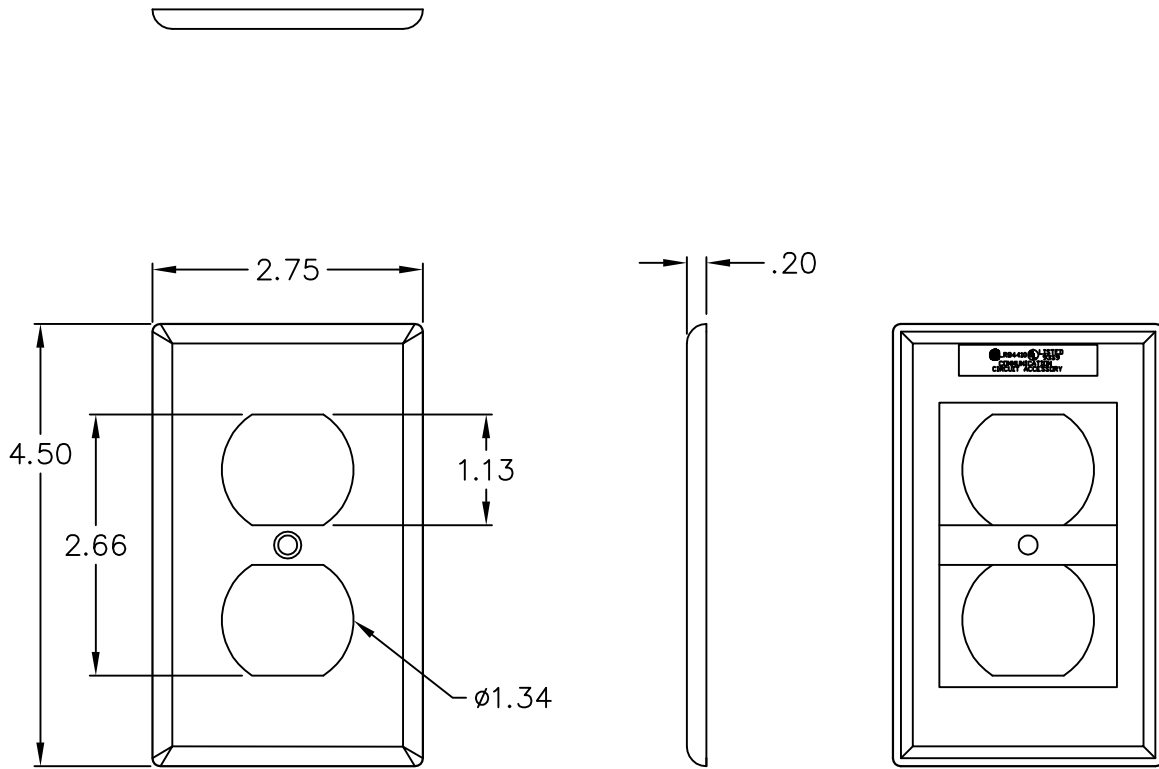
### FACEPLATE, ELECTRICAL, 1-GANG

ITEM NO.	IC106FP2XX
DWG NO.	PS106FP200

REV.	A
PAGE NO.	1



CUSTOMER CARE / TECHNICAL SUPPORT \* CSR@ICC.COM / 888-ASK-4-ICC (275-4422) \* 2100 E. Valencia Dr, Suite D, Fullerton, CA 92831 \* www.icc.com



**NOTE: UNLESS OTHERWISE SPECIFIED**

1. MATERIAL: ABS, UL 94V-0
2. FINISH: TEXTURE
3. COLOR: XX: AL-ALMOND, IV-IVORY, & WH-WHITE

UL US FILE NO. 125268

**FACEPLATE, ELECTRICAL, 1-GANG**

ITEM NO. IC106FP2XX  
 DWG NO. PS106FP200

REV. A  
 PAGE NO. 2



CUSTOMER CARE / TECHNICAL SUPPORT \* CSR@ICC.COM / 888-ASK-4-ICC (275-4422) \* 2100 E. Valencia Dr, Suite D, Fullerton, CA 92831 \* www.icc.com