

# RJ-11 EZ Voice Modular Connector, 400 Pack

## Package Includes

- A. RJ-11 EZ Module, 400 PCS.
- B. JackEasy Termination Tool, 1 PC
- C. Installation Instructions, 1 sheet

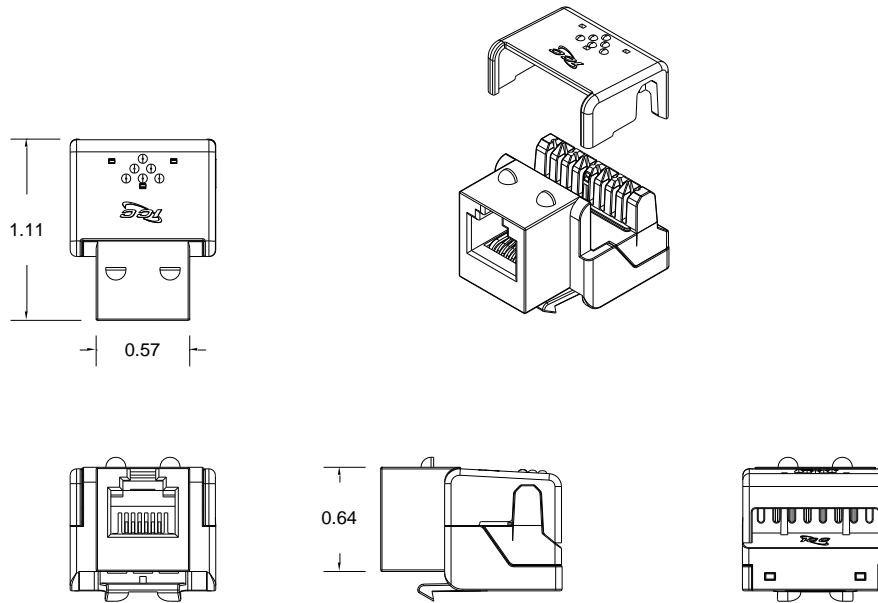


## Features and Benefits

- Designed for all voice connectivity applications
- PCB technology provides maximum performance and superior signal quality
- Engineered to provide 110 IDC termination reducing installation time.
- Pair-to-Pair wiring allows for a quick and easy termination.
- Includes an integrated USOC/UTP color wiring diagram
- Compatible with most IC107 faceplates, inserts, surface mount boxes, and blank patch panels\*
- Compatible with most IC108 furniture faceplates, bezels, and surface mount boxes\*
- Jackeasy Termination Tool is included for convenience-- ICACSPDTEH
- ANSI/TIA-568-C and UL 1863 compliant

### Note:

*\*Check faceplates, inserts, surface mount boxes, bezel, or blank patch panel part for compatibility\**



**NOTE: UNLESS OTHERWISE SPECIFIED**

1. RJ-11 Voice Module:

A. Electrical:

- Current Rating: 1.5 AMPS
- Voltage Rating: 150 Volts Alternating
- Dielectric Withstanding Voltage: 100 Volts RMS, 60 HZ
- Insulation Resistance: >10 MOHMS

B. Mechanical:

- Mated Force: 5 lbs. Max
- Unmated Force: 5 lbs. Max
- Plug Retention Force: 20 lbs. Min
- Durability: 750 cycles

C. Physicals:

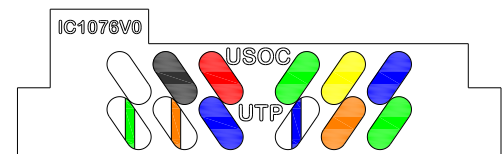
- Housing: High Impact, Flame Retardant Plastic, UL 94V-0
- Contact: Phosphor Bronze Alloy Plated with 50 µin of Gold  
over 70~100 µin of Nickel
- Gold Plating: 1.27 Micron/50 µin Min
- Connector: Insulation Displacement Connector (IDC)  
Accepts 22~24 AWG Solid Wire

D. Colors: XX: WH-White

2. Termination Cap:

- A. Material: PC, UL 94V-0
- B. Color: Clear

**WIRING DIAGRAM**



NEXT: (NEAR END CROSS TALK)	1 MHz > 65 dB
	10 MHz > 50 dB
	16 MHz > 46 dB
	20 MHz > 44 dB
INSERTION LOSS:	
	10 MHz > 0.008
	16 MHz > 0.02 dB

