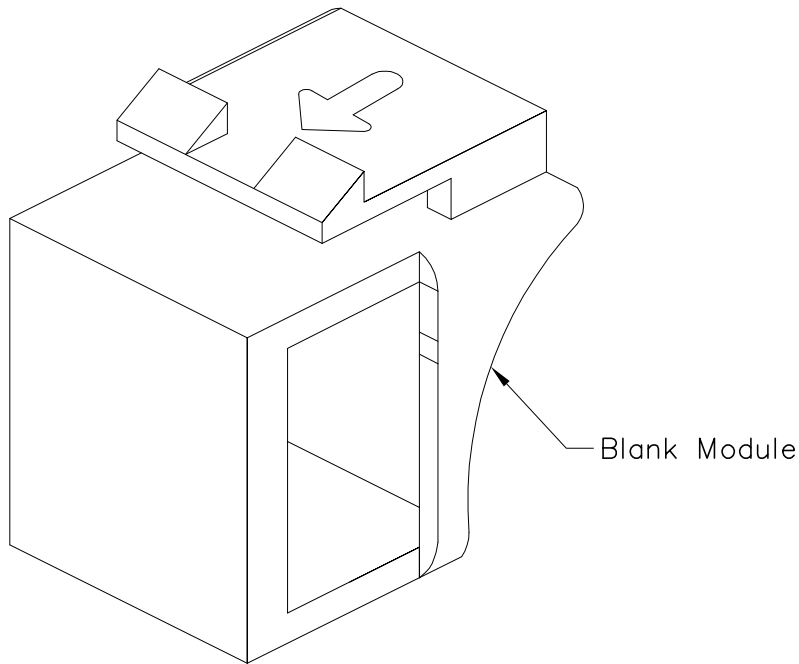


Blank Fill-In Module

PRODUCT SPECIFICATION

Package includes:

A. Blank Module, 100 pcs



Features and Benefits:

- Fills unused ports allowing for future upgrades
- Compatible with all IC107 faceplates, inserts, surface mount boxes, and blank patch panels
- Compatible with all IC108 furniture faceplates, bezels, and surface mount boxes
- Available in black, ivory, and white
- UL listed

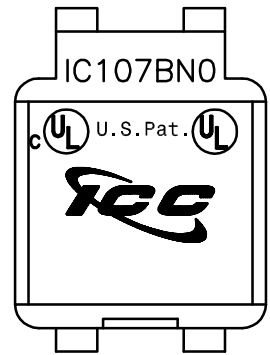
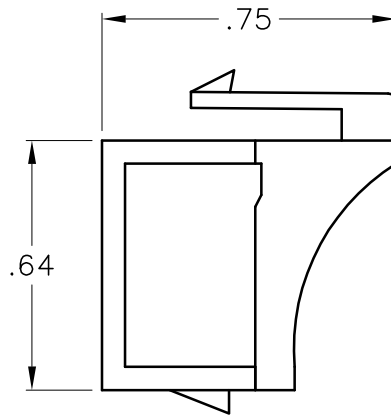
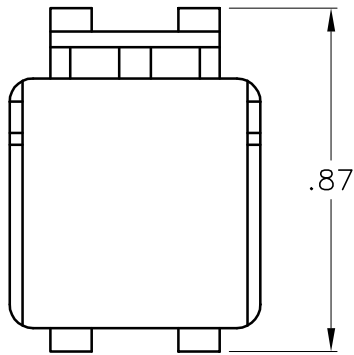
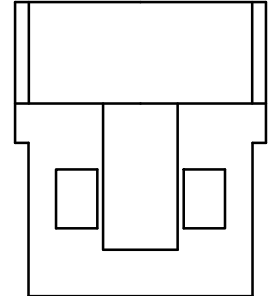
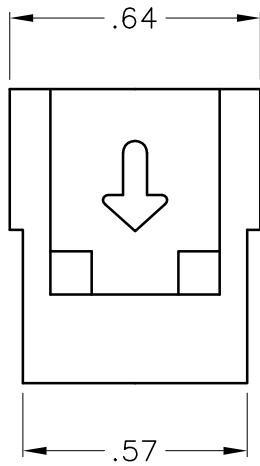
MODULE, BLANK, 100 PK

ITEM NO. IC107BNVXX
DWG NO. PS107BNV00

REV. A
PAGE NO. 1



CUSTOMER CARE / TECHNICAL SUPPORT * CSR@ICC.COM / 888-ASK-4-ICC (275-4422) * 14700 Alondra Blvd., La Mirada, CA 90638 * www.icc.com



NOTE: UNLESS OTHERWISE SPECIFIED

- 1. MATERIAL: ABS, UL 94V-0
- 2. COLOR: XX: BK-BLACK, IV-IVORY, & WH-WHITE

UL US FILE NO. 125268

MODULE, BLANK, 100 PK			
ITEM NO.	IC107BNVXX		REV. A
DWG NO.	PS107BNV00		PAGE NO. 2

CUSTOMER CARE / TECHNICAL SUPPORT * CSR@ICC.COM / 888-ASK-4-ICC (275-4422) * 14700 Alondra Blvd., La Mirada, CA 90638 * www.icc.com