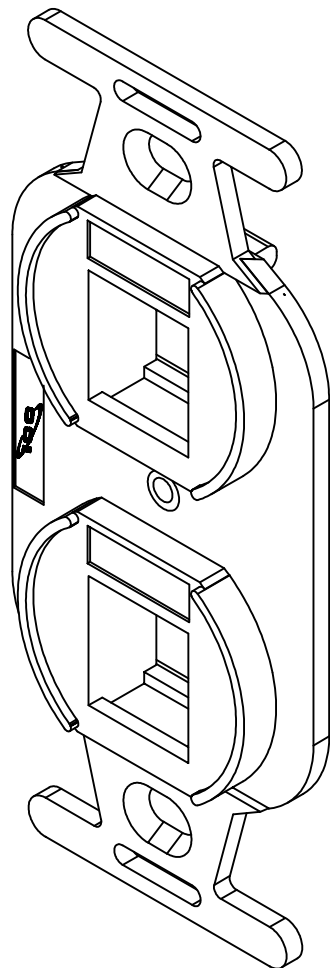


2-Port Electrical Insert

PRODUCT SPECIFICATION



Package includes:

- A. 2-Port Electrical Insert, 1 pc
- B. #6-32 x 3/4" Oval Head, Countersink Machine Screw, 2 pcs

2-Port Electrical Insert

Features and Benefits:

- Designed to support the distribution of voice, data, and other communication needs to the work area for commercial or residential applications
- Fits standard NEMA electrical boxes
- Rugged and durable construction
- Designed for a consistent look with standard electrical faceplates
- Compatible with all IC106 electrical faceplates
- Accommodates a wide variety of easy to snap-in modules, providing configuration flexibility
- Accepts all IC107 modules
- Available in almond, ivory, and white
- ANSI/TIA-568-C and UL 1863 compliant

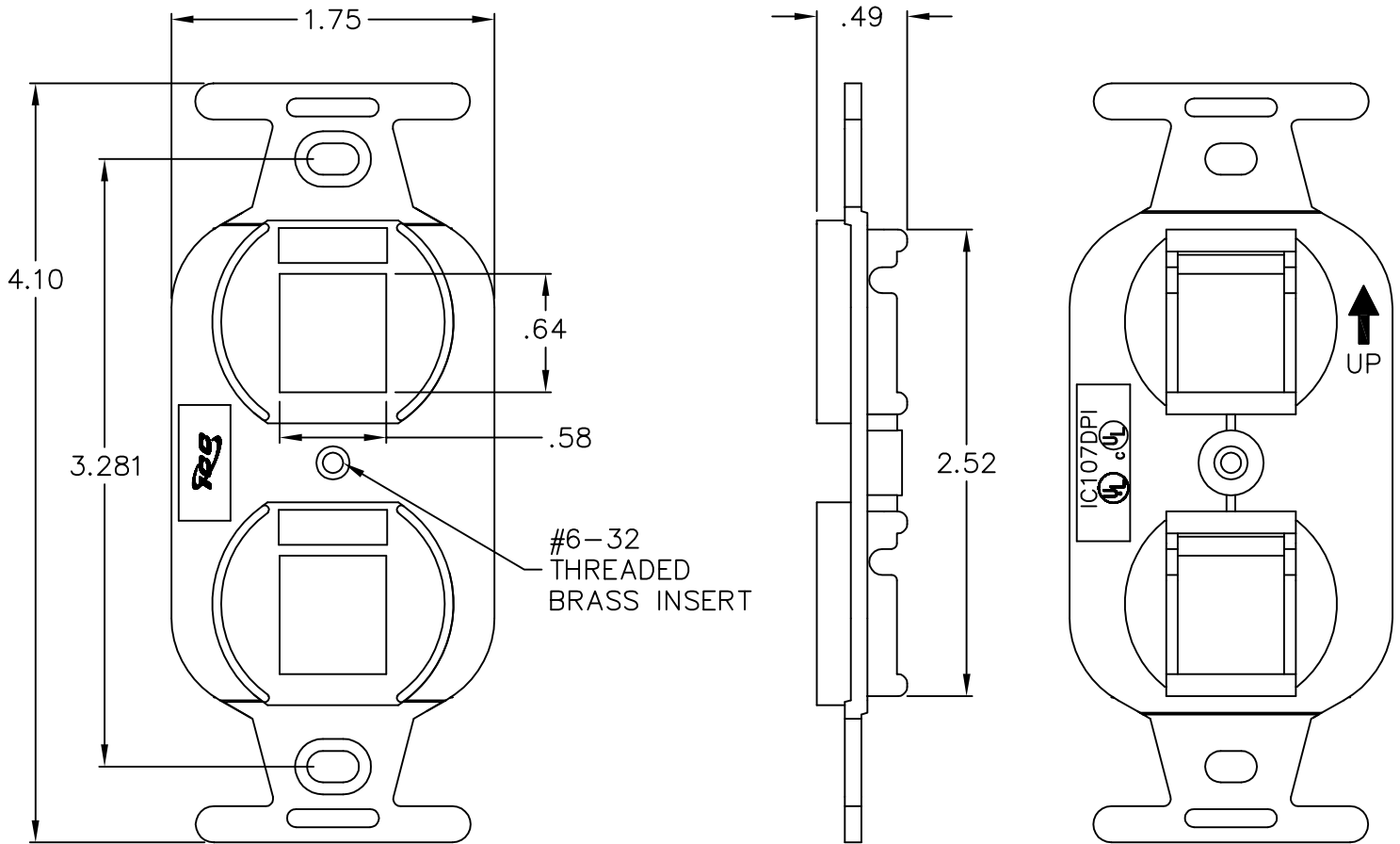
INSERT, ELECTRICAL, 2-PORT

ITEM NO.	IC107DPIXX
DWG NO.	PS107DPI00

REV.	A
PAGE NO.	1




CUSTOMER CARE / TECHNICAL SUPPORT * CSR@ICC.COM / 888-ASK-4-ICC (275-4422) * 2100 E. Valencia Dr, Suite D, Fullerton, CA 92831 * www.icc.com



NOTE: UNLESS OTHERWISE SPECIFIED

1. MATERIAL: ABS, UL 94V-0
2. FINISH: GLOSSY
3. COLOR: XX: AL-ALMOND, IV-IVORY & WH-WHITE

UL US FILE NO. 125268

INSERT, ELECTRICAL, 2-PORT		 Premium Products <i>Proven Performance</i> <i>Competitive Prices</i>	
ITEM NO.	IC107DPIXX		REV. A
DWG NO.	PS107DPI00		PAGE NO. 2

CUSTOMER CARE / TECHNICAL SUPPORT * CSR@ICC.COM / 888-ASK-4-ICC (275-4422) * 2100 E. Valencia Dr, Suite D, Fullerton, CA 92831 * www.icc.com