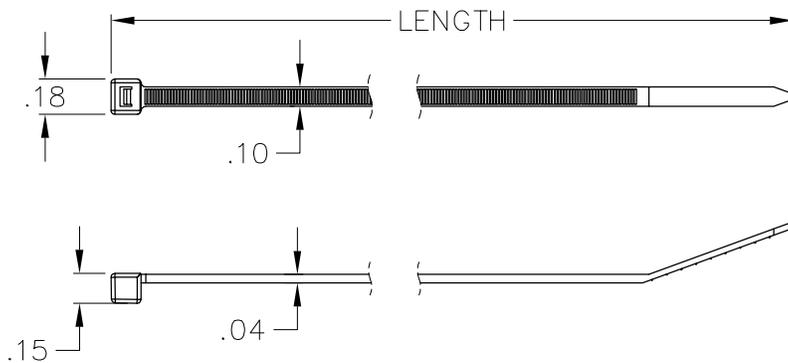
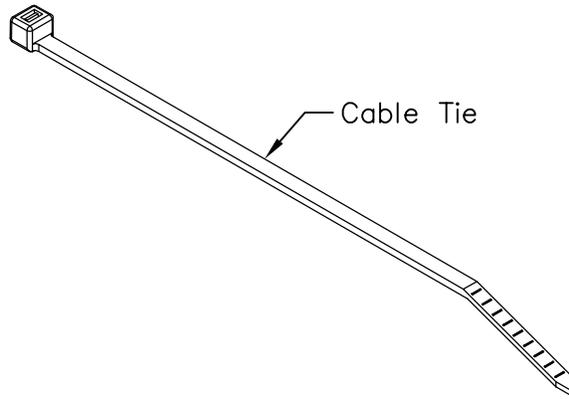


# 18 lbs Cable Tie

## PRODUCT SPECIFICATION

### Package includes:

A. 18 lbs. Cable Tie, 100 pcs



ITEM NUMBER	LENGTH (IN)	MAXIMUM BUNDLE DIAMETER (IN)
ICACSS04BK	3.94	0.87
ICACSS04NL	3.94	0.87
ICACSS55BK	5.51	1.30
ICACSS55NL	5.51	1.30
ICACSS08BK	7.87	2.09
ICACSS08NL	7.87	2.09

### NOTE: UNLESS OTHERWISE SPECIFIED

1. MATERIAL: NYLON 66
2. COLOR: NL-NATURAL, BK-BLACK

### Features and Benefits:

- All nylon, one-piece construction up to 18 lbs minimum loop tensile strength.
- Easy and fast installation.
- Durable and strong.
- Operating temperature from 14°F to 185°F (-10°C to 85°C).
- Flammability rating UL 94V-2.
- MIL SPEC approved where applicable.

<b>CABLE TIE, 18 LBS, 100 PK</b>		 Premium Products Proven Performance Competitive Prices
ITEM NO.	SEE TABLE 1	
DWG NO.	PSACSS0000	PAGE NO. 1

CUSTOMER CARE / TECHNICAL SUPPORT \* CSR@ICC.COM / 888-ASK-4-ICC (275-4422) \* 2100 E. Valencia Dr, Suite D, Fullerton, CA 92831 \* www.icc.com