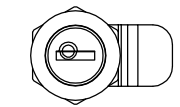
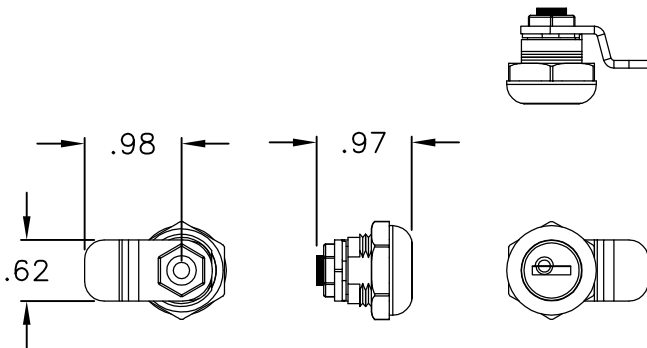
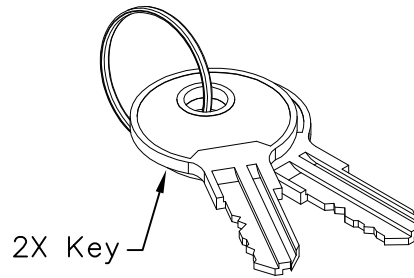
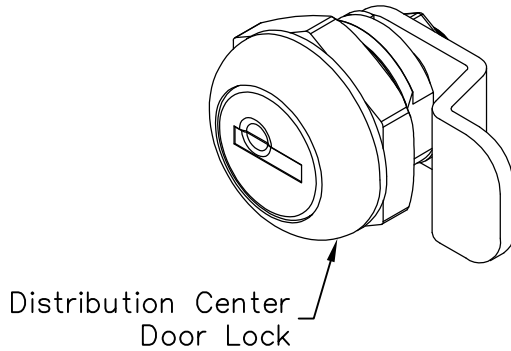


Distribution Center Door Lock

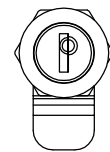
PRODUCT SPECIFICATION

Package includes:

- A. Distribution Center Door Lock, 1 pc
- B. Key, 2 pcs



LOCK POSITION




UNLOCK POSITION

NOTE: UNLESS OTHERWISE SPECIFIED

- 1. MATERIAL: CRS WITH ZINC PLATING
BRASS KEYS

Features and Benefits:

- Designed to fit ICC's 14", 21", and 28" distribution center doors
- Helps prevent unwanted access
- Comes with 2 keys

DISTRIBUTION CENTER DOOR LOCK		 <i>Premium Products</i> <i>Proven Performance</i> <i>Competitive Prices</i>
ITEM NO.	ICRSDC2LK	
DWG NO.	PSRSDC2LK	PAGE NO. 1

CUSTOMER CARE / TECHNICAL SUPPORT * CSR@ICC.COM / 888-ASK-4-ICC (275-4422) * 2100 E. Valencia Dr, Suite D, Fullerton, CA 92831 * www.icc.com