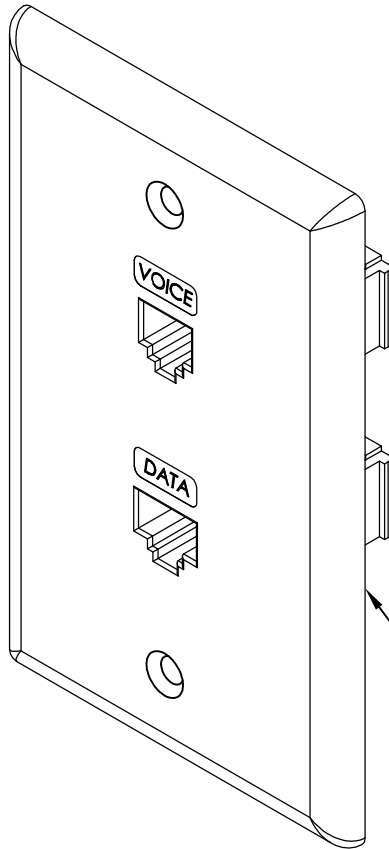


6P6C Voice & Data Integrated Faceplate

PRODUCT SPECIFICATION



Package includes:

- A. Voice & Data Integrated Faceplate, 1 pc
- B. IDC Cap, 4 pcs
- C. #6-32 x 3/4" Oval Head, Countersink Machine Screw, 2 pcs
- D. Installation Instructions, 1 sheet

Voice & Data Integrated Faceplate

Features and Benefits:

- Provides an integrated one-piece solution for voice and CAT 5e data applications
- IDC (insulation displacement connection) contacts are designed for repeated 110 termination providing long lasting performance and reliability
- Quick and easy installation with integrated color coded wiring diagrams requiring no additional assembly
- Embossed port labels to eliminate the need for additional labeling or identification creating a cleaner appearance
- Rugged and durable construction
- Includes IDC caps to ensure the terminated wiring is secure
- Available in white
- Installation Instructions #MSR-0368 included
- ANSI/TIA-568-C and UL 1863 compliant

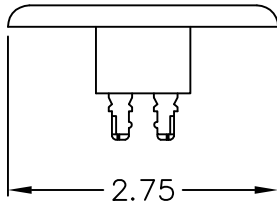
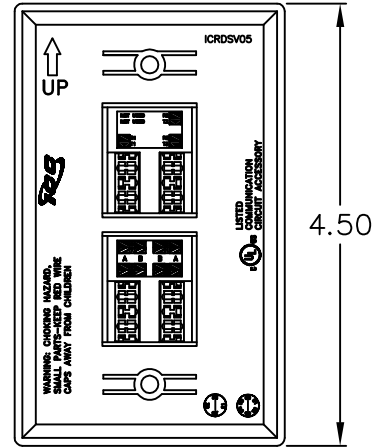
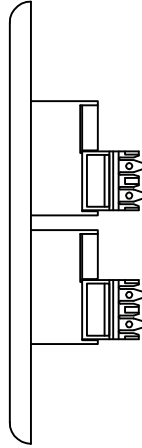
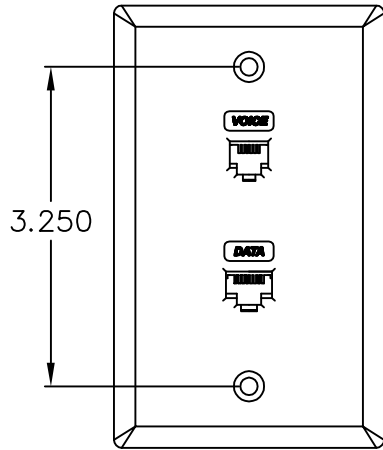
FACEPLATE, IDC, VOICE & DATA

ITEM NO.	ICRDSV05XX
DWG NO.	PSRDSV0500

REV.	A
PAGE NO.	1




CUSTOMER CARE / TECHNICAL SUPPORT * CSR@ICC.COM / 888-ASK-4-ICC (275-4422) * 2100 E. Valencia Dr, Suite D, Fullerton, CA 92831 * www.icc.com



NOTE: UNLESS OTHERWISE SPECIFIED

1. MATERIAL: ABS, UL 94V-0
2. FINISH: TEXTURE
3. COLOR: XX: WH-WHITE

UL US FILE NO. 125268

FACEPLATE, IDC, VOICE & DATA		 <i>Premium Products</i> <i>Proven Performance</i> <i>Competitive Prices</i>	
ITEM NO.	ICRDSV05XX		REV. A
DWG NO.	PSRDSV0500	PAGE NO.	2

CUSTOMER CARE / TECHNICAL SUPPORT * CSR@ICC.COM / 888-ASK-4-ICC (275-4422) * 2100 E. Valencia Dr, Suite D, Fullerton, CA 92831 * www.icc.com