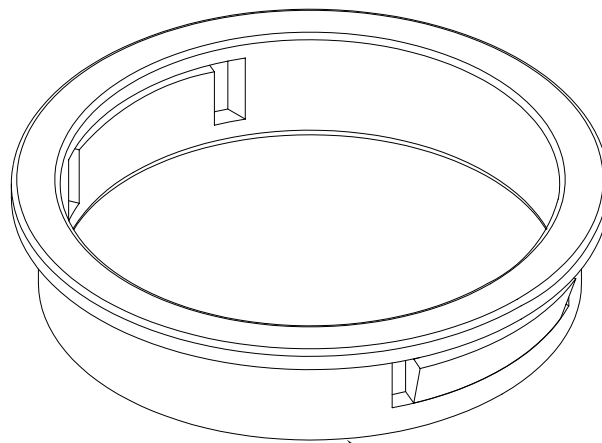


# Plastic Grommets 10 Pk

## PRODUCT SPECIFICATION

### Package includes:


A. Plastic Grommets, 10 pcs



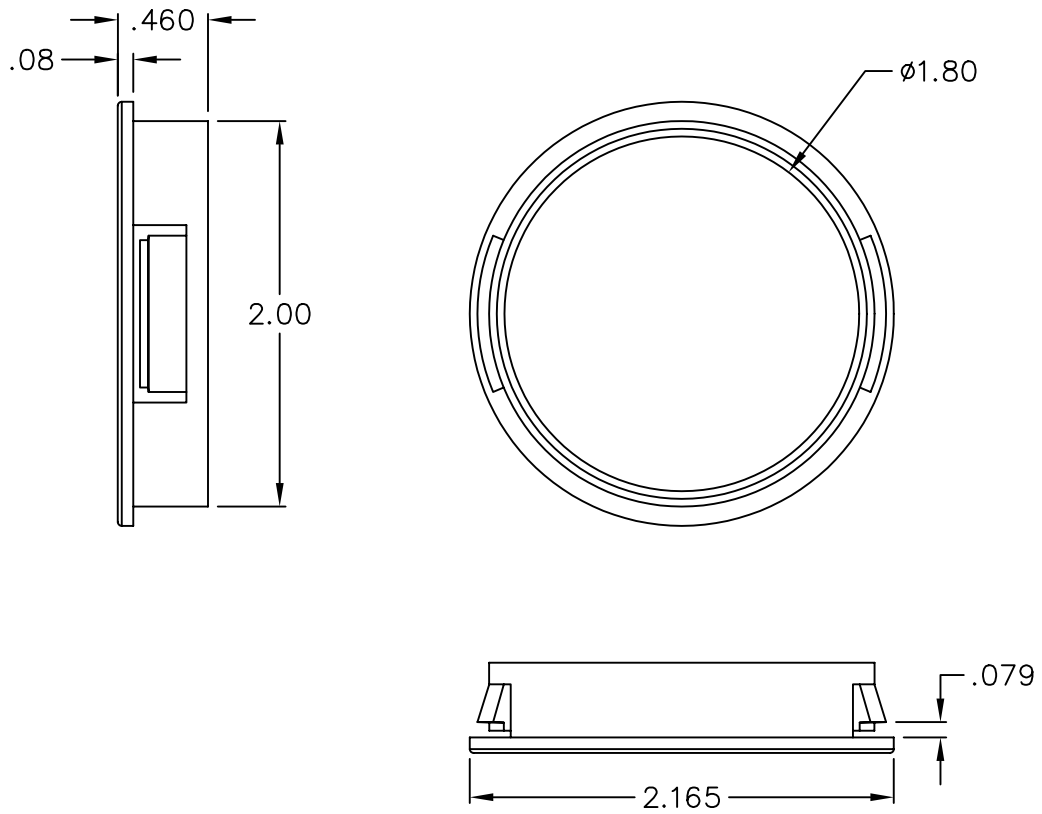
Plastic Grommet

### Features and Benefits:

- Designed to insulate and mechanically protect electrical and telecommunications cables, tubing, hose, rope, and utility lines
- Converts raw-edged holes to smooth, neat, insulated holes
- Used with all of ICC's 14", 21", 28", and 42" Net.Media Centers


<b>RESI, PLASTIC GROMMETS, 10 PK</b>			
ITEM NO.	ICRESDCAC3		REV. A
DWG NO.	PSRESDCAC3		PAGE NO. 1

CUSTOMER CARE / TECHNICAL SUPPORT \* CSR@ICC.COM / 888-ASK-4-ICC (275-4422) \* 14700 Alondra Blvd., La Mirada, CA 90638 \* www.icc.com



**NOTE: UNLESS OTHERWISE SPECIFIED**

1. MATERIAL: ABS+PC
2. COLOR: BLACK

<b>RESI, PLASTIC GROMMETS, 10 PK</b>		 <i>PremiumProducts</i> <i>ProvenPerformance</i> <i>CompetitivePrices</i>	
ITEM NO.	ICRESDCAC3		REV. A
DWG NO.	PSRESDCAC3		PAGE NO. 2

CUSTOMER CARE / TECHNICAL SUPPORT \* CSR@ICC.COM / 888-ASK-4-ICC (275-4422) \* 14700 Alondra Blvd., La Mirada, CA 90638 \* www.icc.com