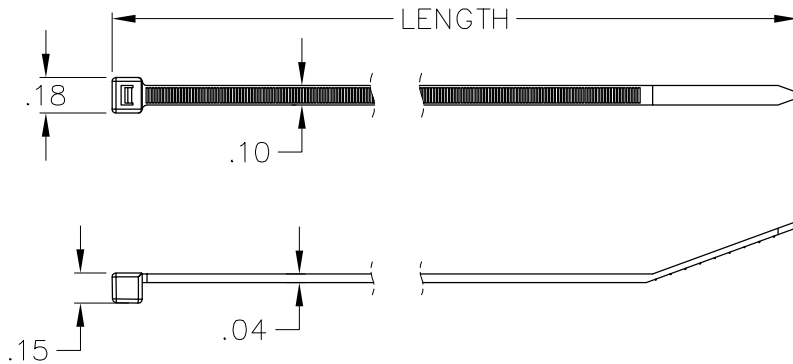
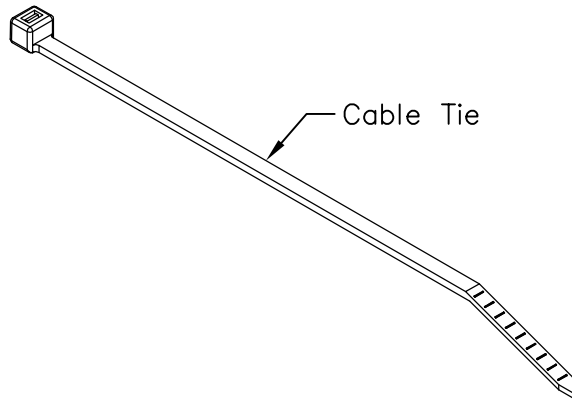


# 18 lbs Cable Tie

## PRODUCT SPECIFICATION

### Package includes:

A. 18 lbs. Cable Tie, 1000 pcs




**NOTE: UNLESS OTHERWISE SPECIFIED**

1. MATERIAL: NYLON 66
2. COLOR: NL-NATURAL, BK-BLACK

ITEM NUMBER	LENGTH (IN)	MAXIMUM BUNDLE DIAMETER (IN)
ICACSS8KBK	7.87	2.09
ICACSS8KNL	7.87	2.09

### Features and Benefits:

- All nylon, one-piece construction up to 18 lbs minimum loop tensile strength.
- Easy and fast installation.
- Durable and strong.
- Operating temperature from 14°F to 185°F (-10°C to 85°C).
- Flammability rating UL 94V-2.
- MIL SPEC approved where applicable.

<b>CABLE TIE, 18 LBS, 1000 PK</b>		 <i>Premium Products</i> <i>Proven Performance</i> <i>Competitive Prices</i>	
ITEM NO.	SEE TABLE 1		REV. A
DWG NO.	PSACSS0K00		PAGE NO. 1

CUSTOMER CARE / TECHNICAL SUPPORT \* CSR@ICC.COM / 888-ASK-4-ICC (275-4422) \* 2100 E. Valencia Dr, Suite D, Fullerton, CA 92831 \* www.icc.com