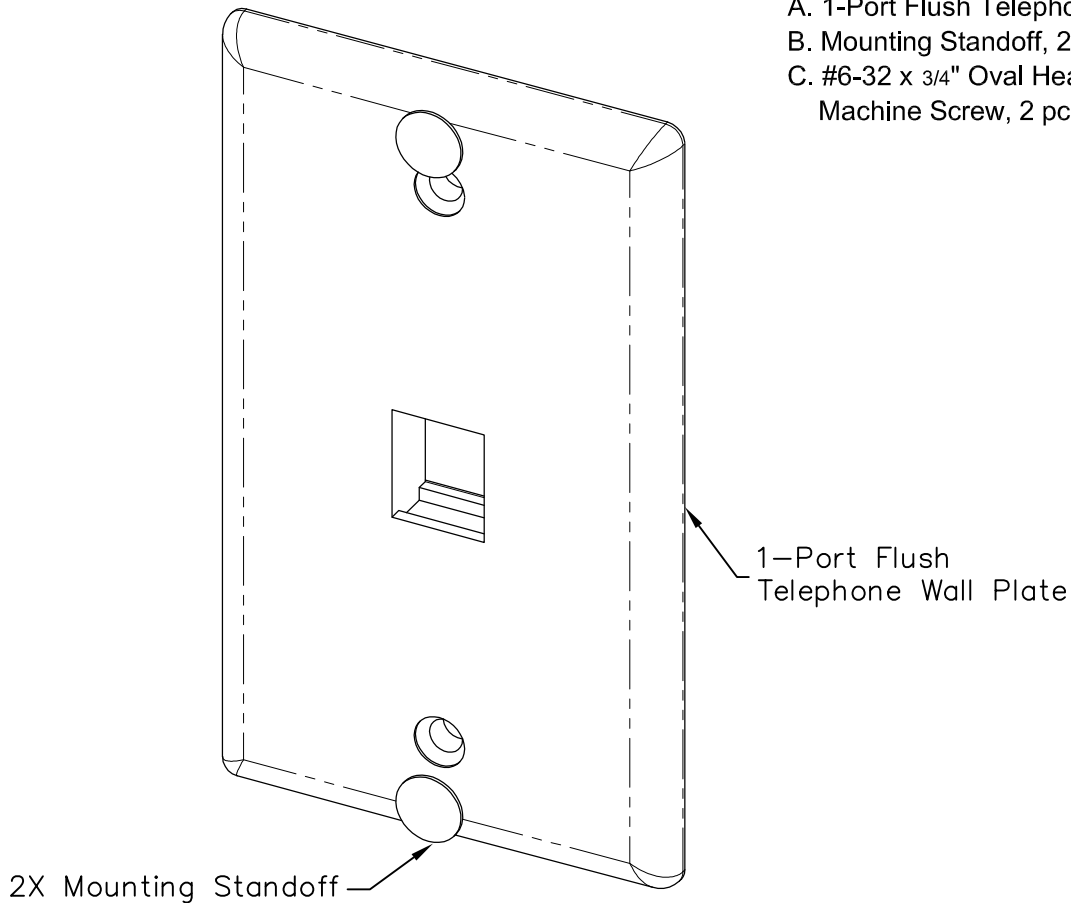


1-Port Flush Telephone Wall Plate

PRODUCT SPECIFICATION


Package includes:

- A. 1-Port Flush Telephone Wall Plate, 1 pc
- B. Mounting Standoff, 2 pcs
- C. #6-32 x 3/4" Oval Head, Countersink Machine Screw, 2 pcs

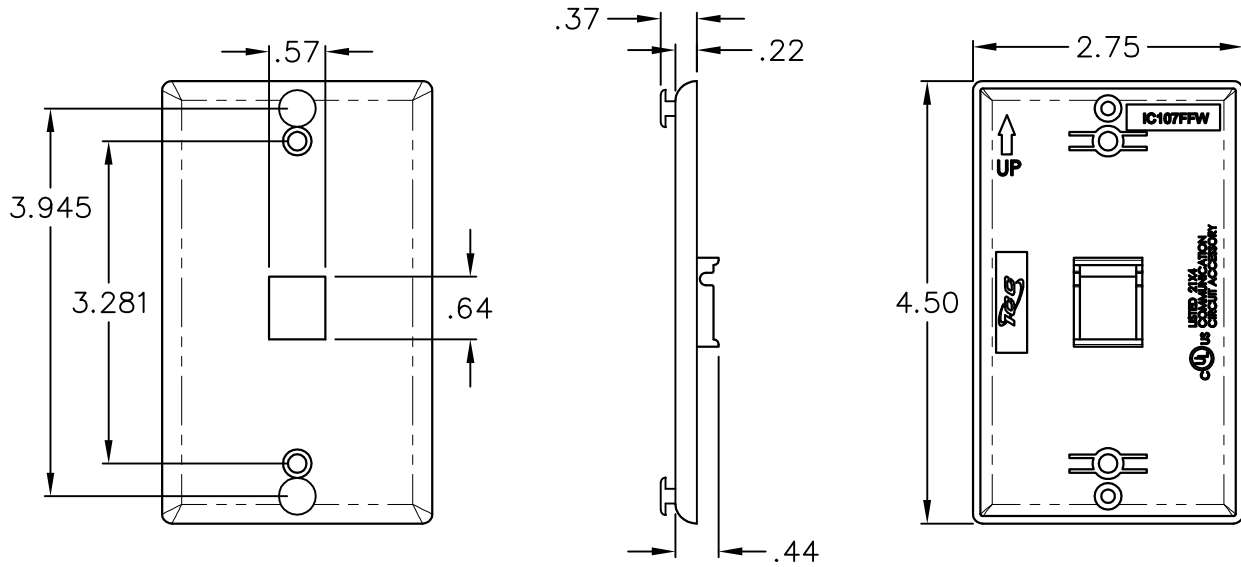


Features and Benefits:

- Configured to fit standard single gang outlet box
- Designed for commercial or residential applications
- Rugged and durable construction
- Provided with two mounting standoffs for wall mount telephone
- Offers a flush face surface
- Accommodates a wide variety of easy to snap-in modules, providing configuration flexibility
- Accepts all IC107 modules
- Available in black, ivory, and white
- ANSI/TIA-568-C and UL 1863 compliant

WALL PLATE, PHONE, FLUSH, 1-PORT			
ITEM NO.	IC107FFWXX		REV. A
DWG NO.	PS107FFW00		PAGE NO. 1


CUSTOMER CARE / TECHNICAL SUPPORT * CSR@ICC.COM / 888-ASK-4-ICC (275-4422) * 2100 E. Valencia Dr, Suite D, Fullerton, CA 92831 * www.icc.com



NOTE: UNLESS OTHERWISE SPECIFIED

1. MATERIAL: ABS, UL 94V-0
2. FINISH: TEXTURE
3. COLOR: XX: BK-BLACK, IV-IVORY, & WH-WHITE

UL US FILE NO. 125268

WALL PLATE, PHONE, FLUSH, 1-PORT		 Premium Products <i>Proven Performance</i> <i>Competitive Prices</i>	
ITEM NO.	IC107FFWXX		REV. A
DWG NO.	PS107FFW00		PAGE NO. 2

CUSTOMER CARE / TECHNICAL SUPPORT * CSR@ICC.COM / 888-ASK-4-ICC (275-4422) * 2100 E. Valencia Dr, Suite D, Fullerton, CA 92831 * www.icc.com