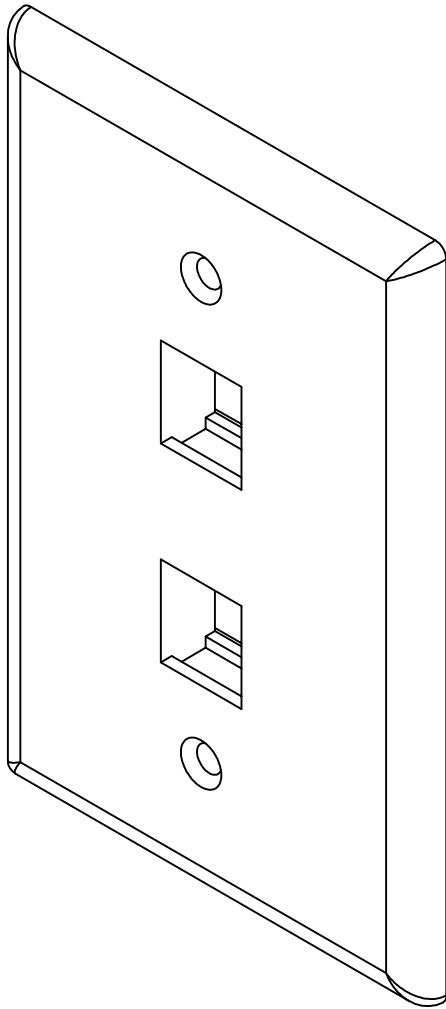


2-Port Single Gang Oversized Faceplate

PRODUCT SPECIFICATION



Package includes:

- A. 2-Port Single Gang Oversized Faceplate, 1 pc
- B. #6-32 x 3/4" Oval Head, Countersink Machine Screw, 2 pcs

2-Port Oversized Faceplate

Features and Benefits:

- Configured to fit standard single gang outlet box
- Designed to support the distribution of voice, data, and other communication needs to the work area for commercial or residential applications
- Rugged and durable construction
- Designed to help cover uneven and jagged drywall cuts
- Accommodates a wide variety of easy to snap-in modules, providing configuration flexibility
- Accepts all IC107 modules
- Available in almond, ivory, and white
- ANSI/TIA-568-C and UL 1863 compliant

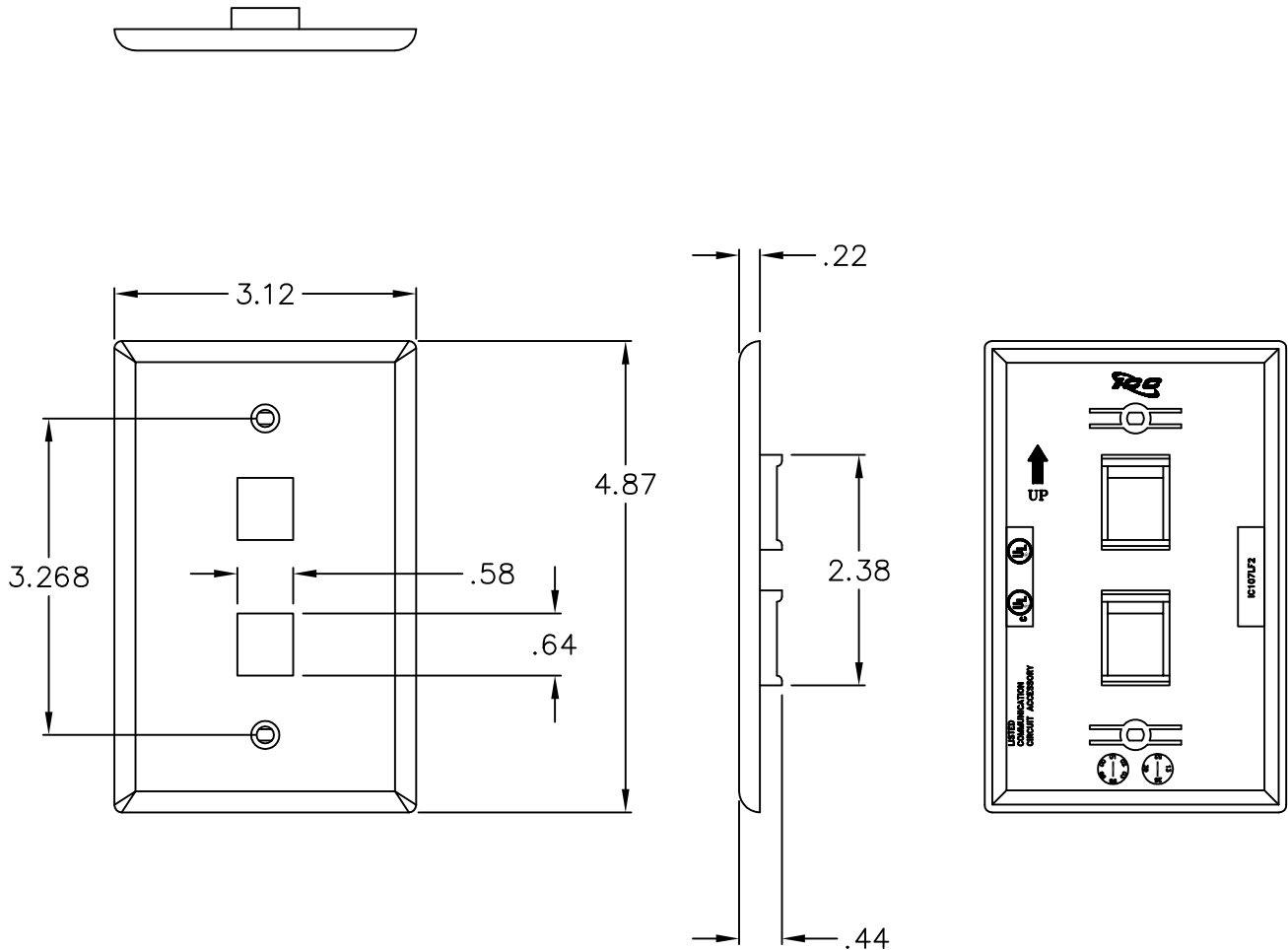
FACEPLATE, OVERSIZED, 2-PORT

ITEM NO.	IC107LF2XX
DWG NO.	PS107LF200

REV.	A
PAGE NO.	1




CUSTOMER CARE / TECHNICAL SUPPORT * CSR@ICC.COM / 888-ASK-4-ICC (275-4422) * 2100 E. Valencia Dr, Suite D, Fullerton, CA 92831 * www.icc.com



NOTE: UNLESS OTHERWISE SPECIFIED

1. MATERIAL: ABS, UL 94V-0
2. FINISH: GLOSSY
3. COLOR: XX: AL-ALMOND, IV-IVORY, & WH-WHITE

UL US FILE NO. 125268

FACEPLATE, OVERSIZED, 2-PORT		 PremiumProducts <i>ProvenPerformance</i> <i>CompetitivePrices</i>	
ITEM NO.	IC107LF2XX		REV. A
DWG NO.	PS107LF200		PAGE NO. 2

CUSTOMER CARE / TECHNICAL SUPPORT * CSR@ICC.COM / 888-ASK-4-ICC (275-4422) * 2100 E. Valencia Dr, Suite D, Fullerton, CA 92831 * www.icc.com