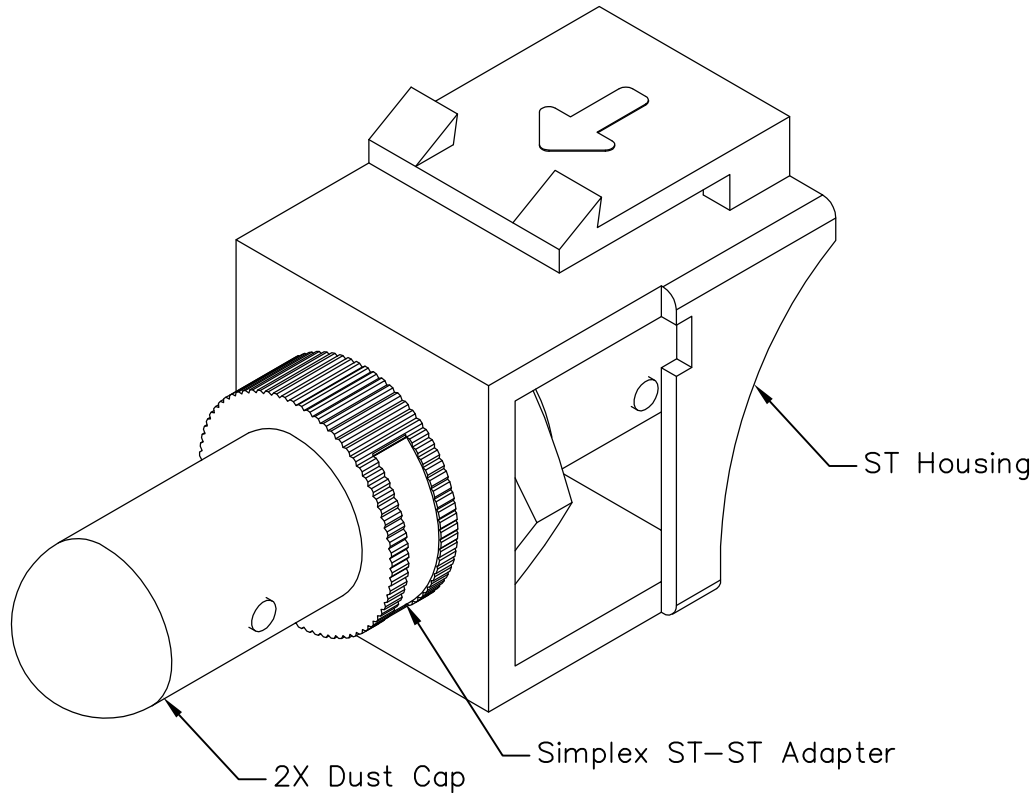


SM/MM Simplex ST-ST Fiber Optic Module

PRODUCT SPECIFICATION

Package includes:

- A. Simplex ST-ST Adapter, 1 pc
- B. Dust Cap, 2 pcs
- C. ST Housing, 1 pc



Features and Benefits:

- Supports optical applications in bringing fiber to the desktop for both multimode and singlemode
- Viable solution for high speed data transmission and broadband internet
- Compatible with all IC107 faceplates, inserts, surface mount boxes, and blank patch panels
- Compatible with all IC108 furniture faceplates, bezels, and surface mount boxes
- Available in ivory and white
- ANSI/TIA-568-C and UL 1863 compliant

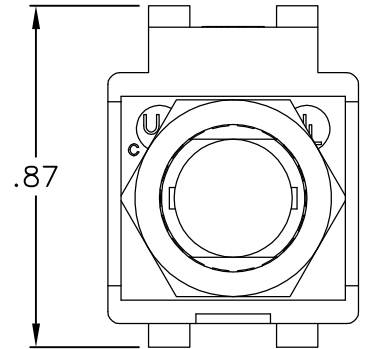
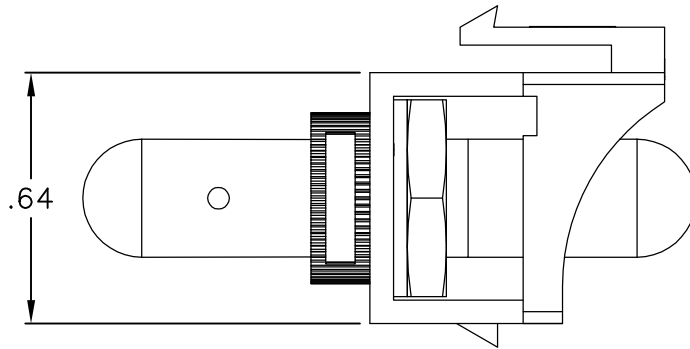
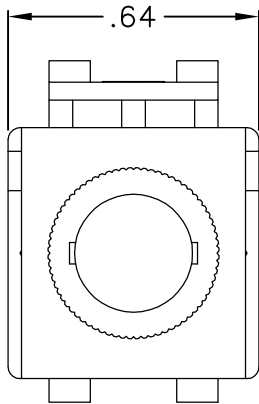
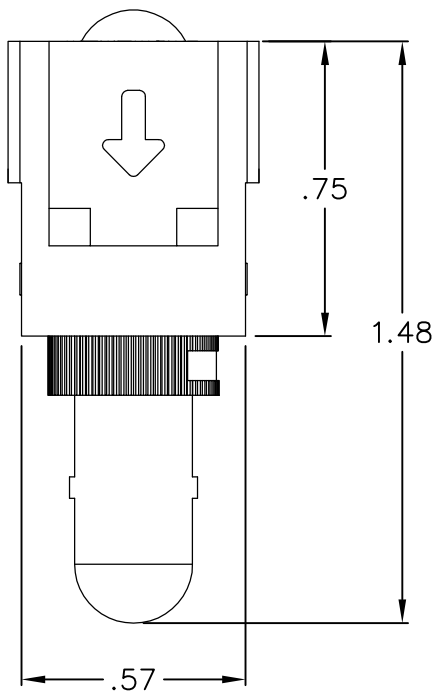
MODULE, FIBER OPTIC, ST

ITEM NO. IC107ST2XX
 DWG NO. PS107ST200

REV. B
 PAGE NO. 1




CUSTOMER CARE / TECHNICAL SUPPORT * CSR@ICC.COM / 888-ASK-4-ICC (275-4422) * 2100 E. Valencia Dr, Suite D, Fullerton, CA 92831 * www.icc.com



NOTE: UNLESS OTHERWISE SPECIFIED

- 1. HOUSING:
 - A. MATERIAL: ABS, UL 94V-0
 - B. COLOR: XX: IV-IVORY & WH-WHITE
- 2. ST-ST ADAPTER:
 - A. MATERIAL: ZIRCONIA (CERAMIC) SLEEVE
- 3. DUST CAP:
 - A. MATERIAL: RUBBER
 - B. COLOR: YELLOW

UL US FILE NO. 125268

MODULE, FIBER OPTIC, ST		 <i>PremiumProducts</i> <i>ProvenPerformance</i> <i>CompetitivePrices</i>	
ITEM NO.	IC107ST2XX		REV. B
DWG NO.	PS107ST200		PAGE NO. 2

CUSTOMER CARE / TECHNICAL SUPPORT * CSR@ICC.COM / 888-ASK-4-ICC (275-4422) * 2100 E. Valencia Dr, Suite D, Fullerton, CA 92831 * www.icc.com